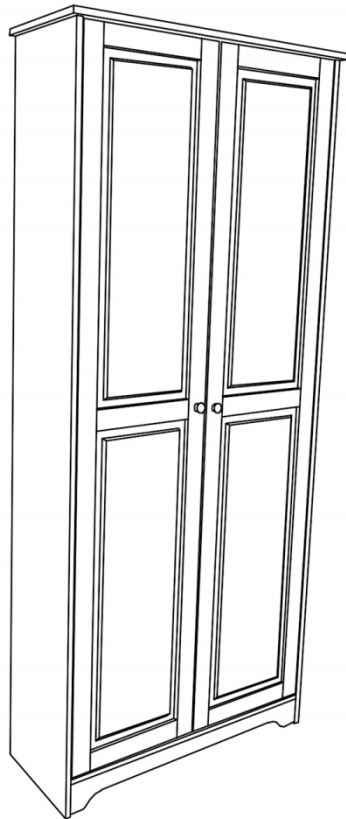




VINGLI PANTRY CABINET

ASSEMBLY INSTRUCTION FOR MODELS
PC0W5SW



Thank you for purchasing from VINGLI!

Please contact us via email if parts are missing or damaged, we will gladly ship your replacement parts free of charge. Please attach your Order ID so that we can assist you better.

✉ EMAIL



WEBSITE



IMPORTANT

support@vingli.com

www.vingli.com

THIS INSTRUCTION BOOKLET
CONTAINS IMPORTANT SAFETY
INFORMATION. PLEASE READ
AND KEEP FOR FUTURE
REFERENCE.

RETURN & WARRANTY

Thank you for choosing our product!

We would like to take this opportunity to thank you for choosing VINGLI.

We hope that you are completely satisfied with your purchase, and enjoy it for years to come.



support@vingli.com

Your satisfaction is our highest pursuit.

Return Policy

VINGLI believes you will absolutely love your pantry cabinet, but if for some reason you want to return the product, please contact us directly before you decide to return your product to the retailer. Our Customer Service organization can answer most concerns and can assist you with any questions you may have about your new product. Please contact us first by emailing support@vingli.com or by submitting a request at <https://www.vingli.com>

The item must be returned in good condition, in original box, with all original proof of purchase, parts and accessories, within the time frame specified by the retailer it was purchased from.

Warranty

VINGLI warrants this product to be free from defects in material and workmanship agrees to remedy any such defect. This warranty covers one year from the date of original purchase. This is solely limited to be repair or replacement of defective parts and no assembly labor is included.

This warranty does not apply to any product which has been improperly assembled, subjected to misuse or abuse or which has been altered or repaired in anyway.

Components repaired or replaced warranted through the remainder of the original warranty period only. The defective components will be repaired or replaced without charge, subject to the terms and conditions described above.

For help with assembly, identifying parts, product information or to order parts, please contact us via support@vingli.com.

BEFORE STARTING

Before Using Product



- Read each step carefully before starting. It is very important that each step is performed in the correct order. If these steps are not followed in sequence, assembly difficulties will occur.



- Make sure all parts are included. Most board parts are labeled or stamped on the raw edge.

- Have the following tools.



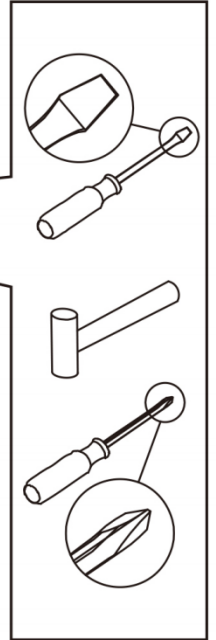
- Recommended # of people needed for assembly: 2 (however it is always better to have an extra hand). Estimated assembly time is 2.5hours.



- Work in a spacious area and near where the unit will be used, preferably on a carpet, or use a piece of the cardboard packaging to protect your floor and product.



- For a smooth assembly process, we suggest you keep a lite tightness for all the screws during assembly. After the whole product is assembled, firmly tighten all the screws.

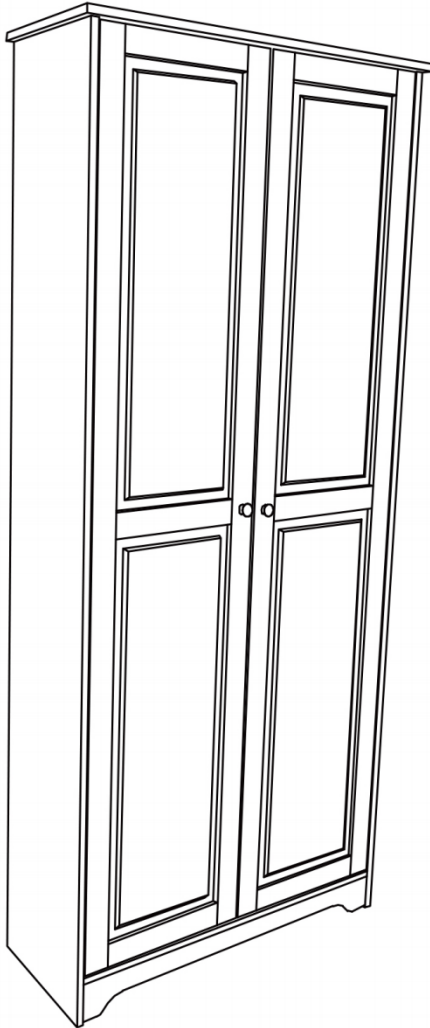


WARNING :

- Do not allow children to climb on unit
- Serious or fatal crushing injuries can occur from furniture tip-over. To prevent this furniture from tipping over, it must be permanently fixed to the wall. Fixing devices for the wall are not included since different wall materials require different types of fixing devices. Use fixing devices suitable for the walls in your home. For advice on suitable fixing systems, contact your local specialized dealer.
- Avoid sharp objects or corrosive chemicals to prevent damage to the product
- During assembly, keep parts and packaging materials away from children and pets as there could be potential injury and choking hazards.

ASSEMBLY TIPS

Applicable Model



MODEL : PC0W5SW

DIMENSION: Outside Dimension:
30.71"L x 12.4"D x 72.24"H
Shelves Space Distance:
11.42"

FEATURES : Adjustable Shelves
Engineered Wood with White
Paint

Load-Capacity : 22 LBS per shelf



Estimated Time for Assembly

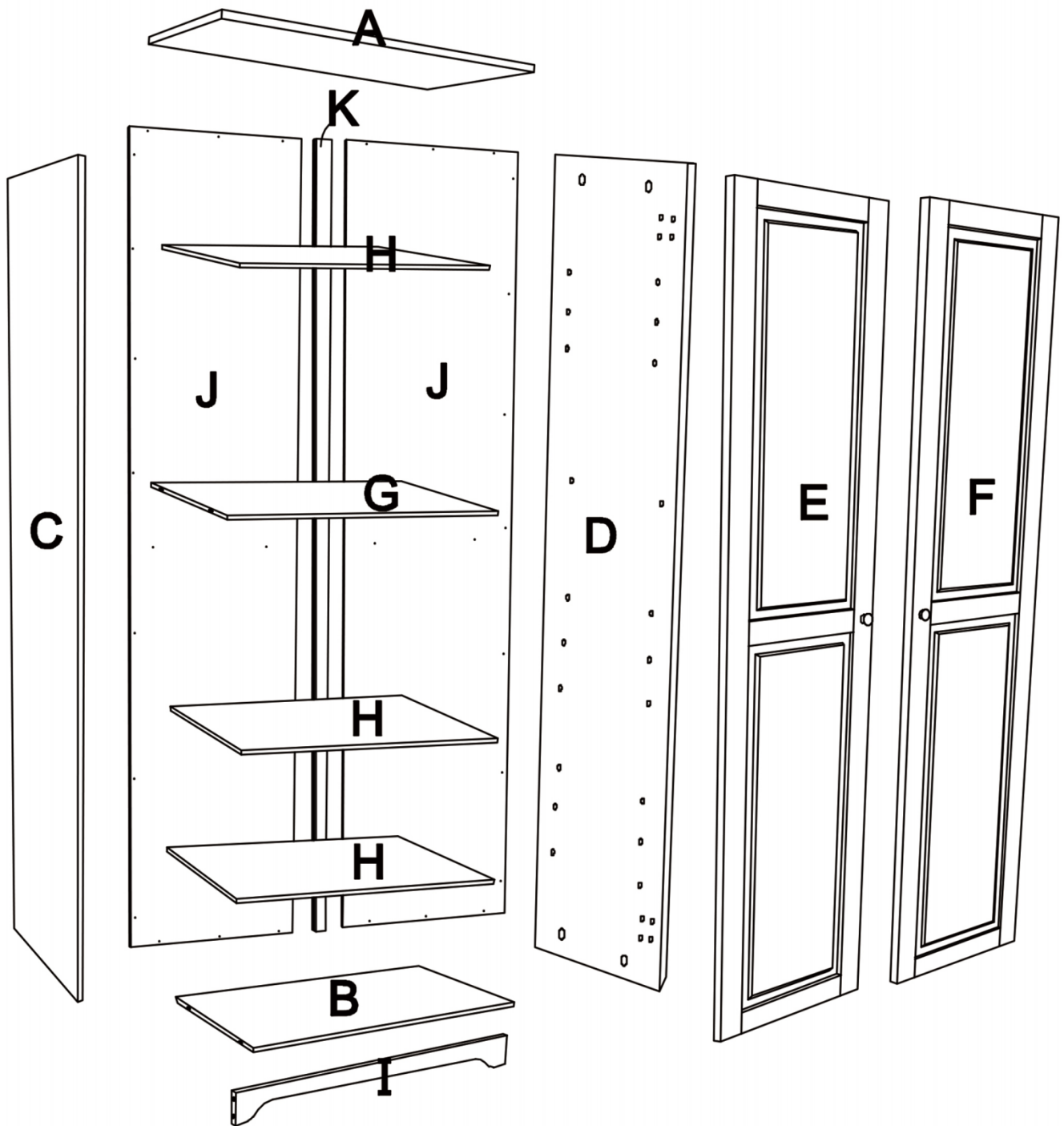
90 mins

Caution:

- 1.This product is designed for home use and not intended for commercial use.
- 2.This product contains small components. Please ensure that they are kept away from small children.
- 3.Becareful when using power tools to assemble your furniture. Power tools may strip or damage the parts

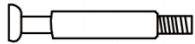
IDENTIFY PARTS

All in 1 big box!



PART LIST

1



Cam Bolt
(X12)

2



Cam Lock
(X12)

3



Wood Dowel
(X4)

4



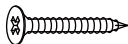
Screw
(X36)

5



Handle
(X2)

6



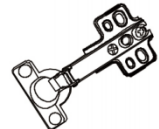
Screw
(X2)

7



Screw
(X30)

8



Hinge
(X6)

9



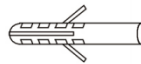
Wall Mounted
(X2)

10



Screw
(X2)

11



Expansion Screw
(X2)

12



Screw
(X2)

13



Plastic Plug
(X12)

A



Top Panel
(X1)

B



Bottom Panel
(X1)

C



Left Side Panel
(X1)

D



Right Side Panel
(X1)

E



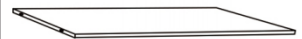
Left Door Panel
(X1)

F



Right Door Panel
(X1)

G



Fixed shelf
(X1)

H



Adjustable shelf
(X3)

I



Foot panel
(X1)

J



Back Panel
(X2)

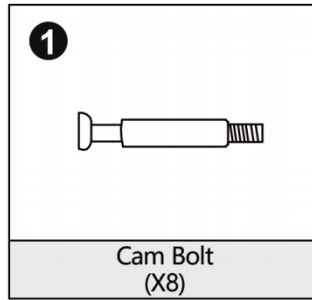
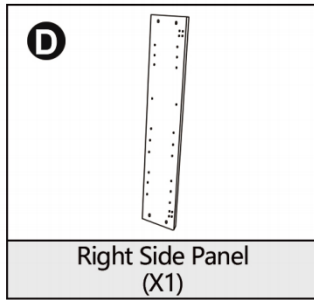
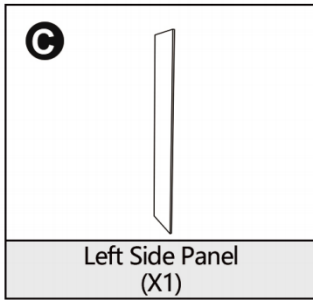
K



Connecting Strip
(X1)

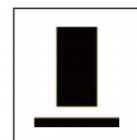
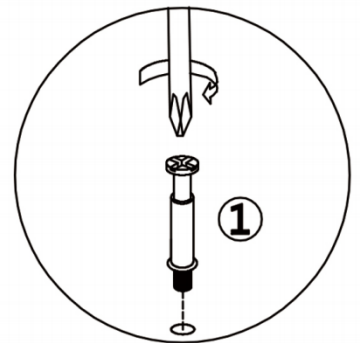
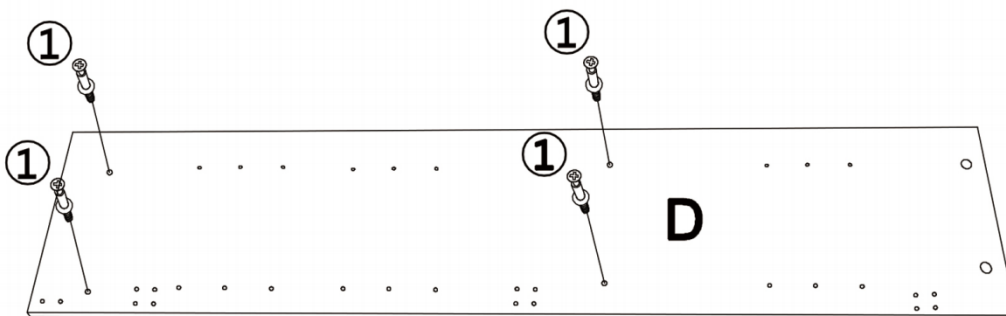
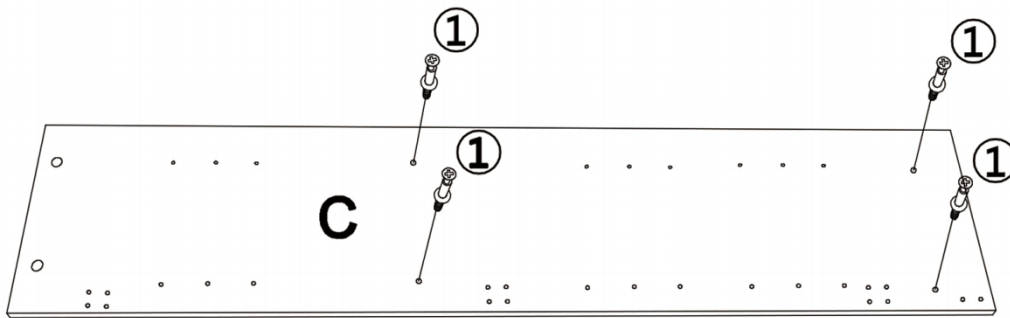
ASSEMBLY STEPS

New panels & accessories needed in below step



STEP 1

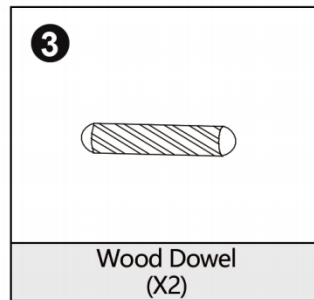
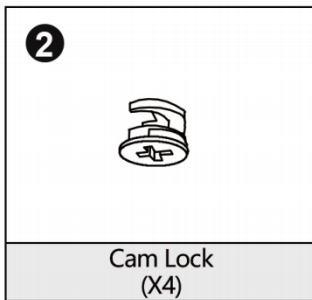
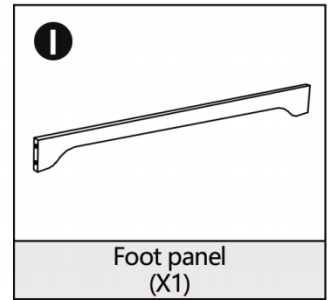
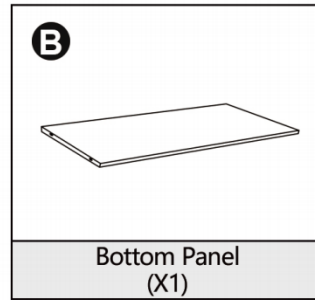
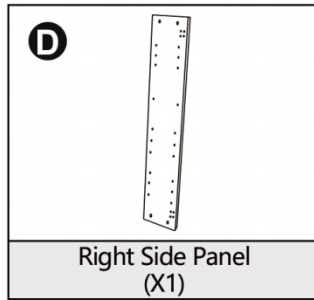
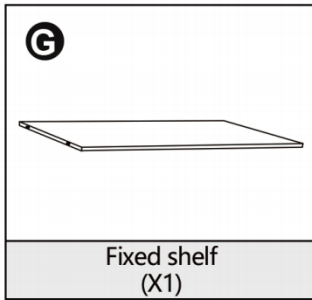
Screw in cam bolts on the side panels C&D (Tips: Please put a soft object under the board to prevent scratches on the board)



PREVENT SCRATCHES

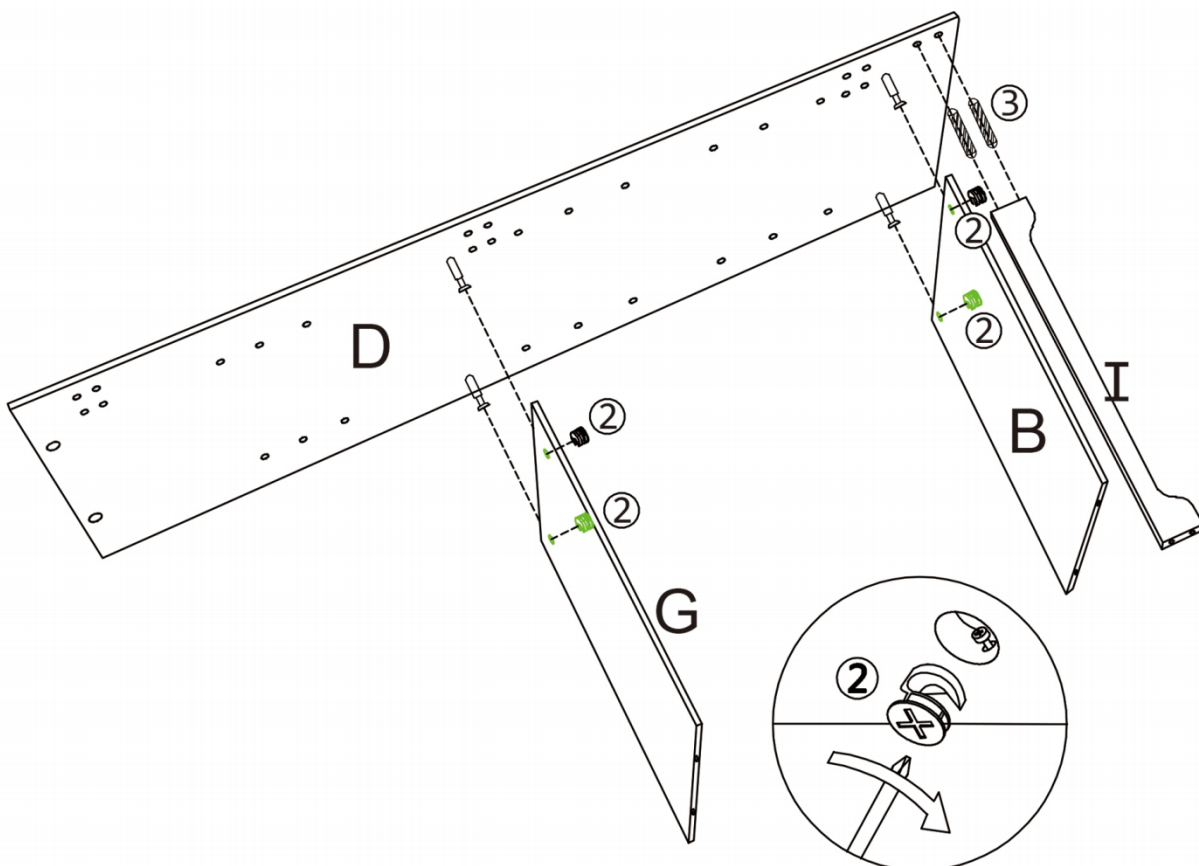
ASSEMBLY STEPS

New panels & accessories needed in below step



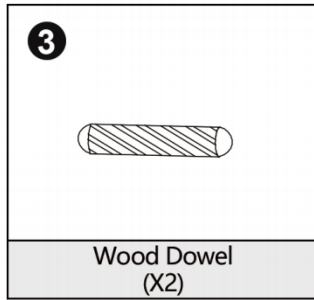
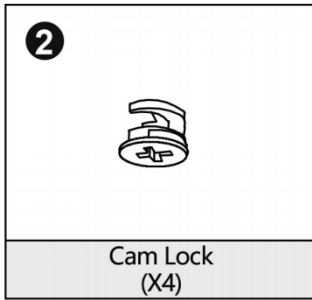
STEP 2

Put the cam locks into the Panel B&G respectively, and connect them to the side panel D, then rotate the cam lock to fix them; then connect the foot panel I to the side panel D through the wood dowel



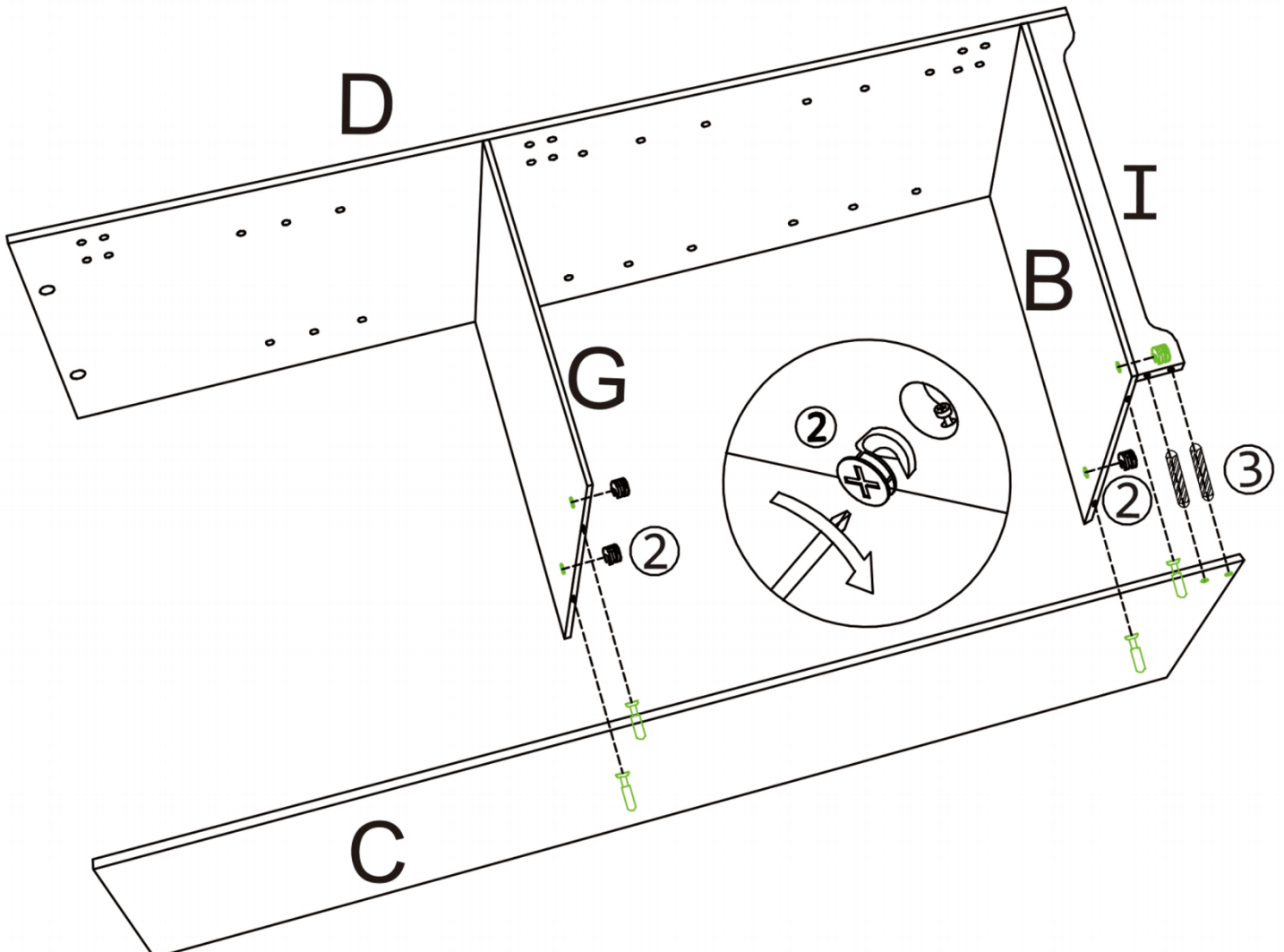
ASSEMBLY STEPS

New panels & accessories needed in below step



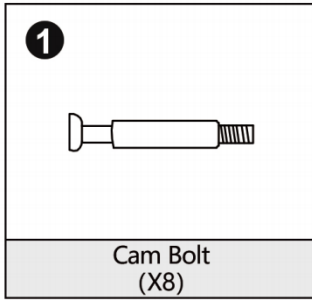
STEP 3

Keep the B&C&D&G&I boards placed as shown in the figure and 2 people are required to coordinate installation to align the C board with the hole and push it.



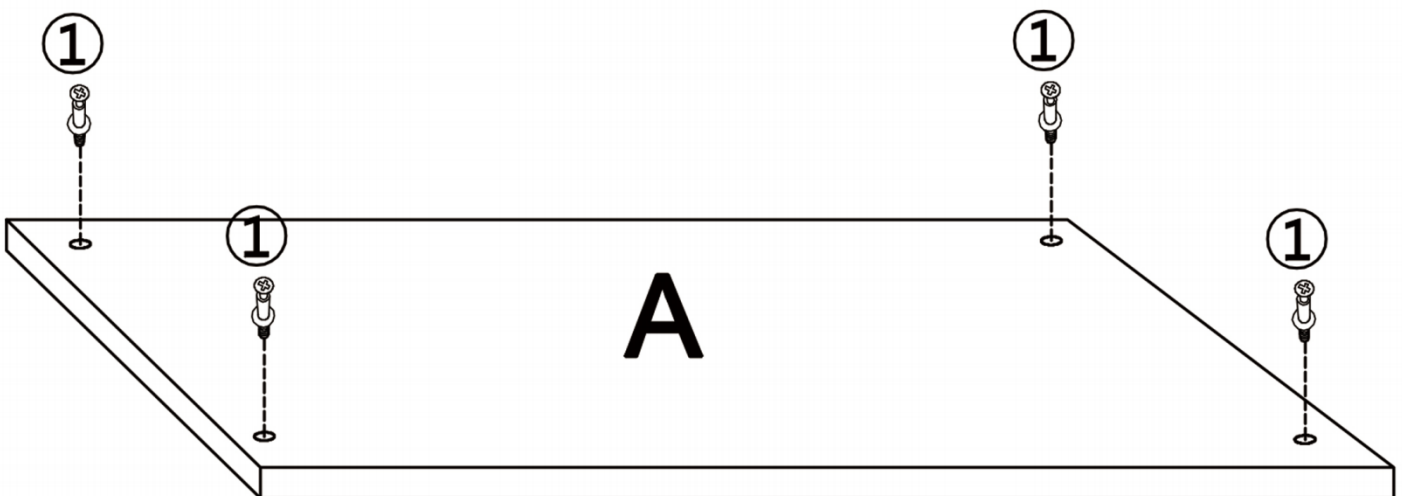
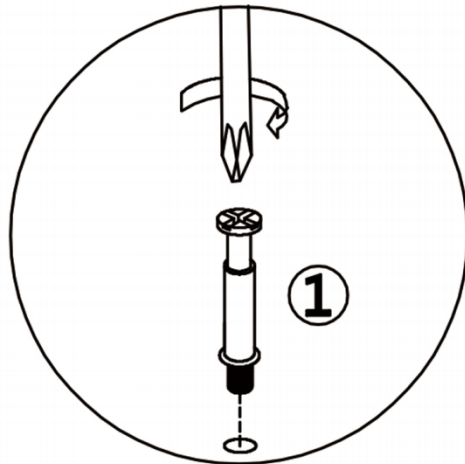
ASSEMBLY STEPS

New panels & accessories needed in below step



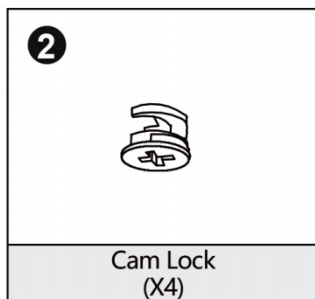
STEP 4

Put the cam bolts into the A board



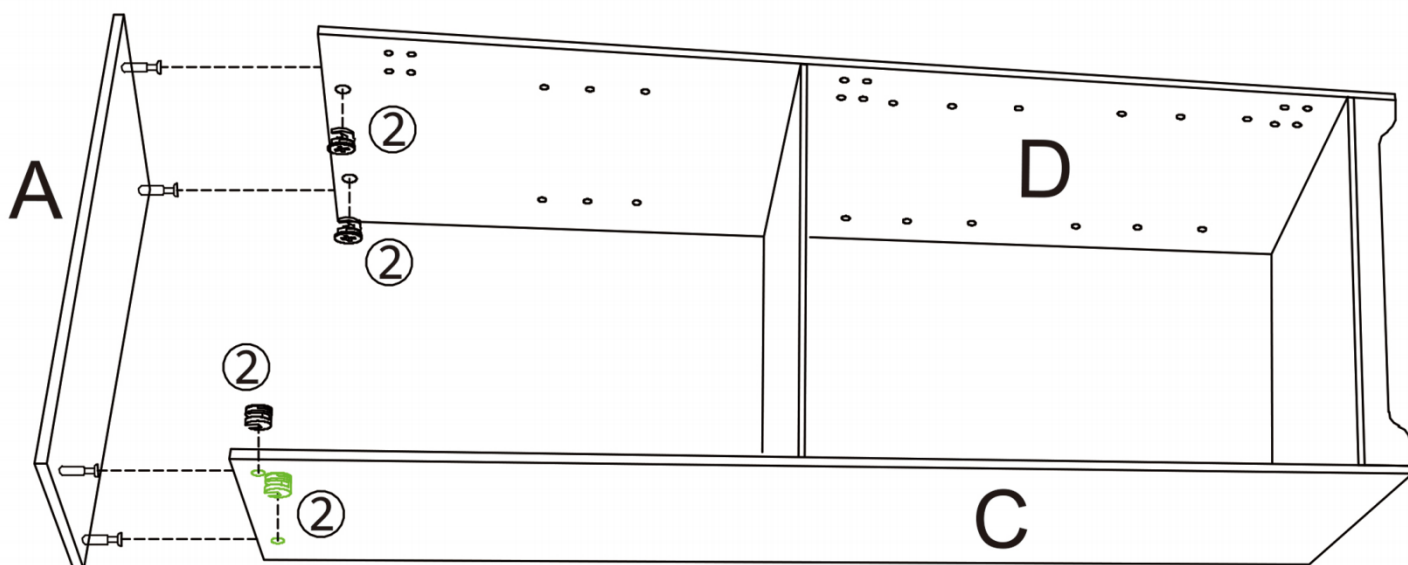
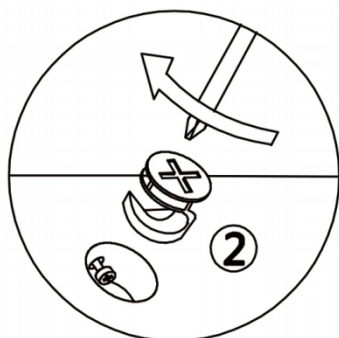
ASSEMBLY STEPS

New panels & accessories needed in below step



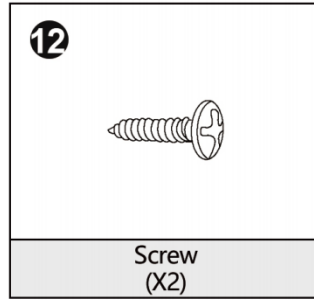
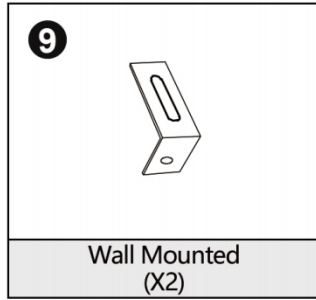
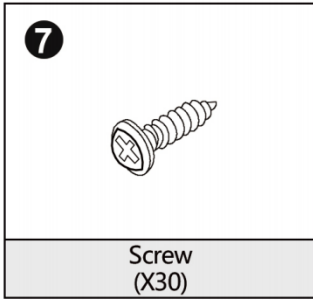
STEP 5

Put the cam locks into the corresponding position of the C&D boards and lock it after connecting with the A board



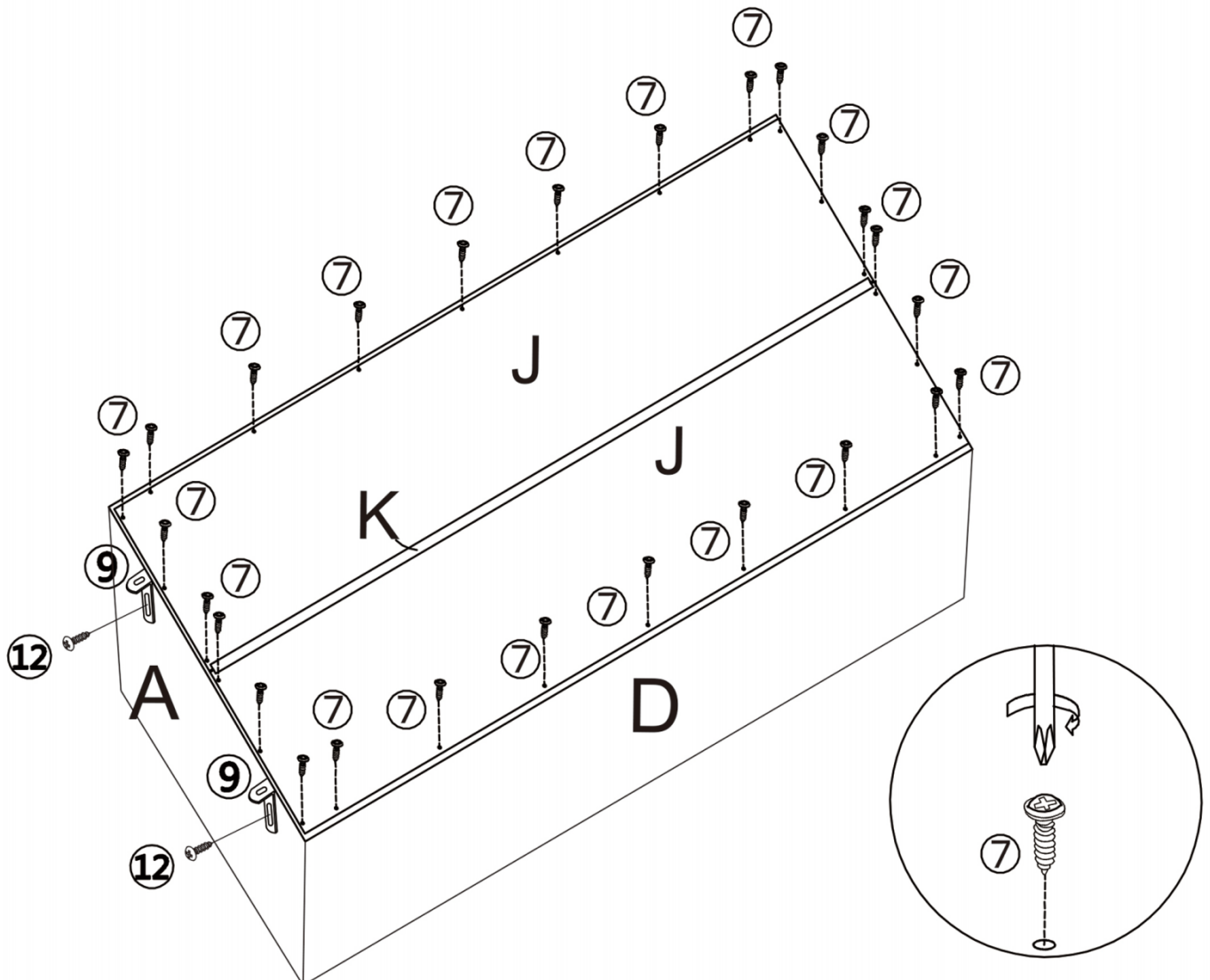
ASSEMBLY STEPS

New panels & accessories needed in below step



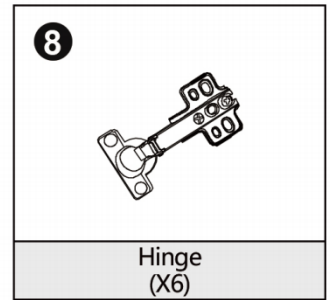
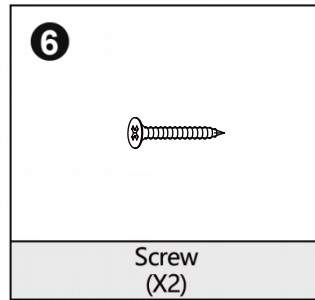
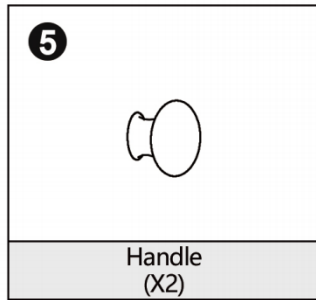
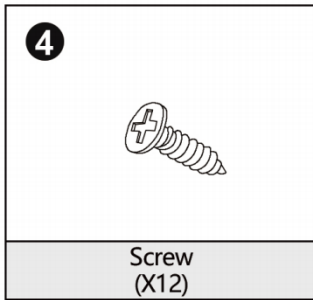
STEP 6

Put on the back panels J and the connecting strip K, and lock the No.7 screws after aligning the four corners of the cabinet to a right angle. Please note that you should use a small screwdriver.



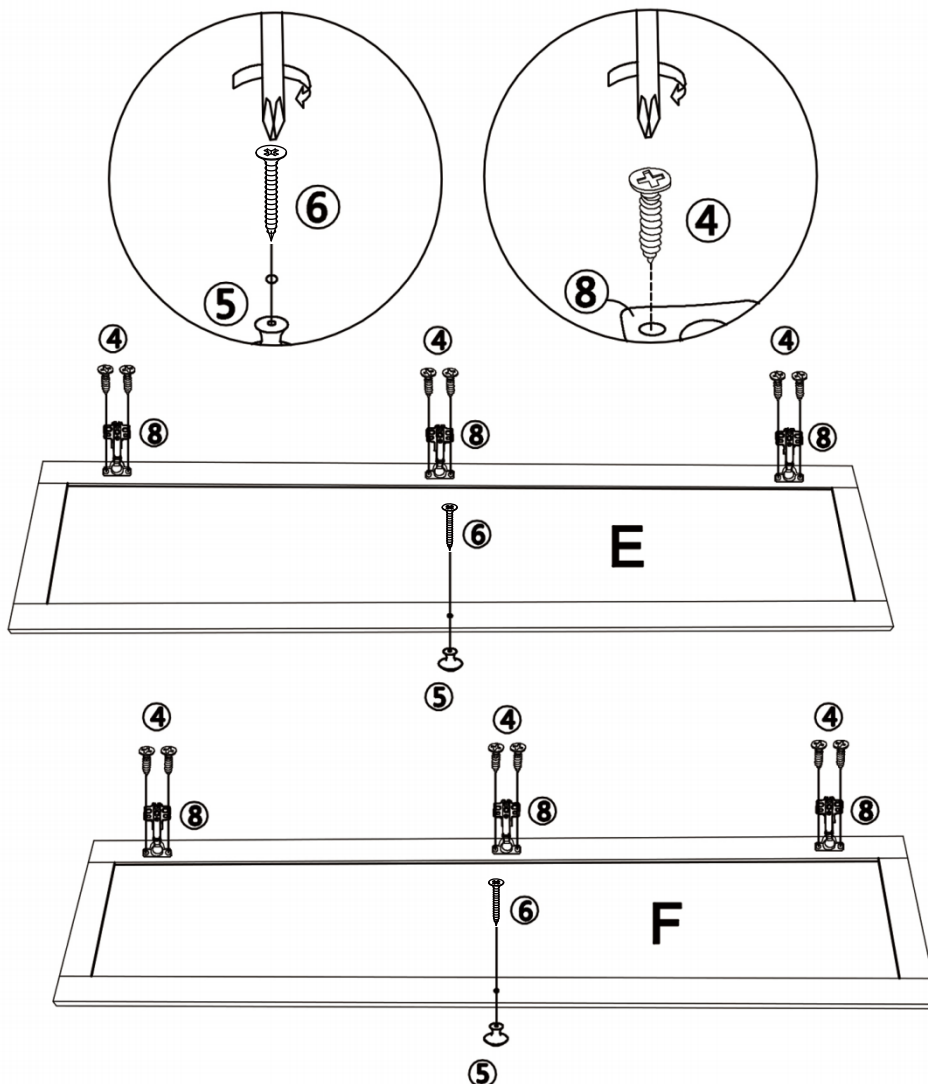
ASSEMBLY STEPS

New panels & accessories needed in below step



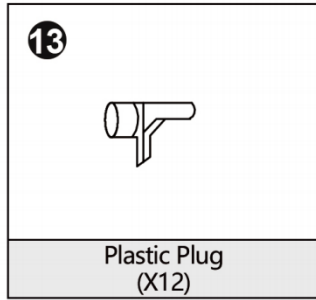
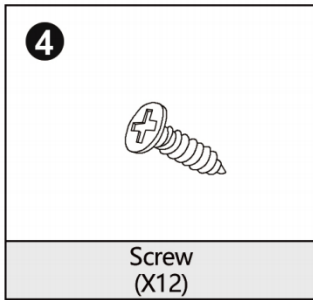
STEP 7

Fix the hinges on panels E&F with No.4 screws, and fix the door handles with No.6 screws



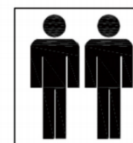
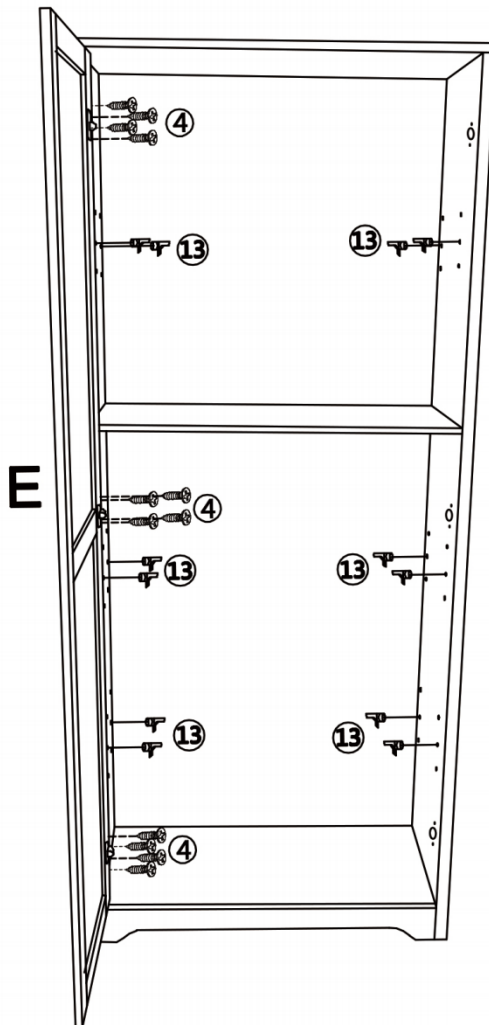
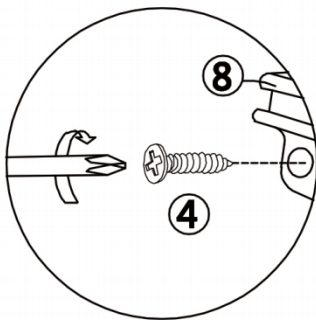
ASSEMBLY STEPS

New panels & accessories needed in below step



STEP 8

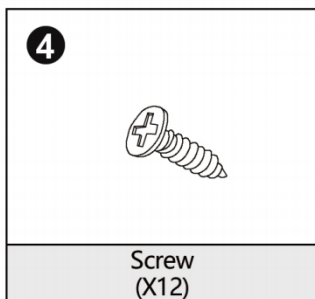
2 people are required to assemble. Adjust the position of the door panel firstly, and then use No.4 screws to fix all the hinges to the side panels C&D in turn; finally, place the plastic plug of the shelf in the pre-drilled hole in the side panel according to your needs



TWO PERSON ASSEMBLY

ASSEMBLY STEPS

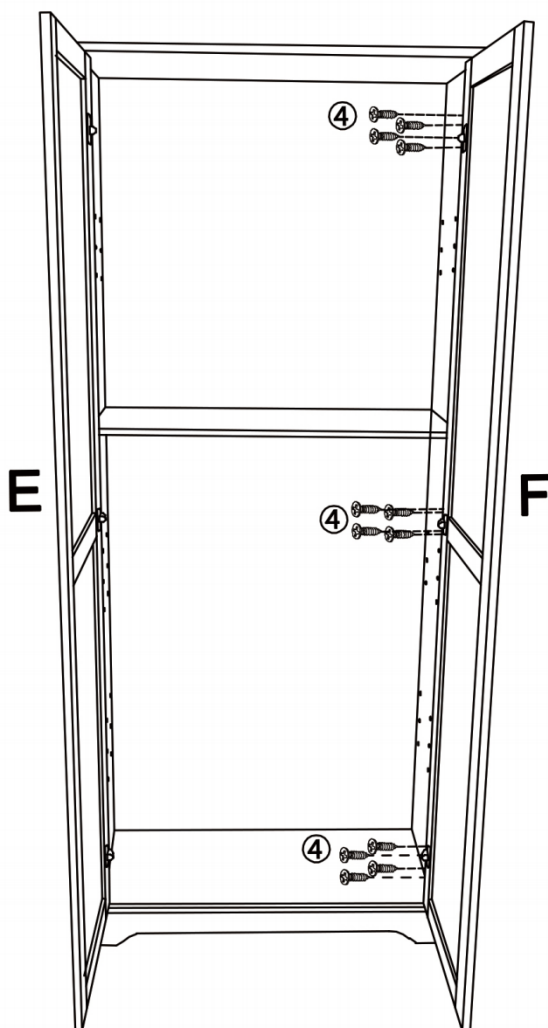
New panels & accessories needed in below step



STEP 9

2 people are required to assemble.

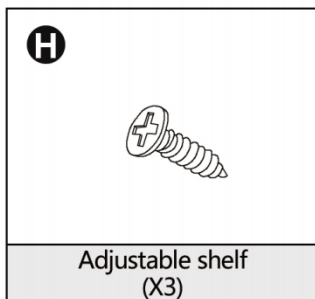
Fix the right door panel with No.4 screws as step 8



TWO PERSON ASSEMBLY

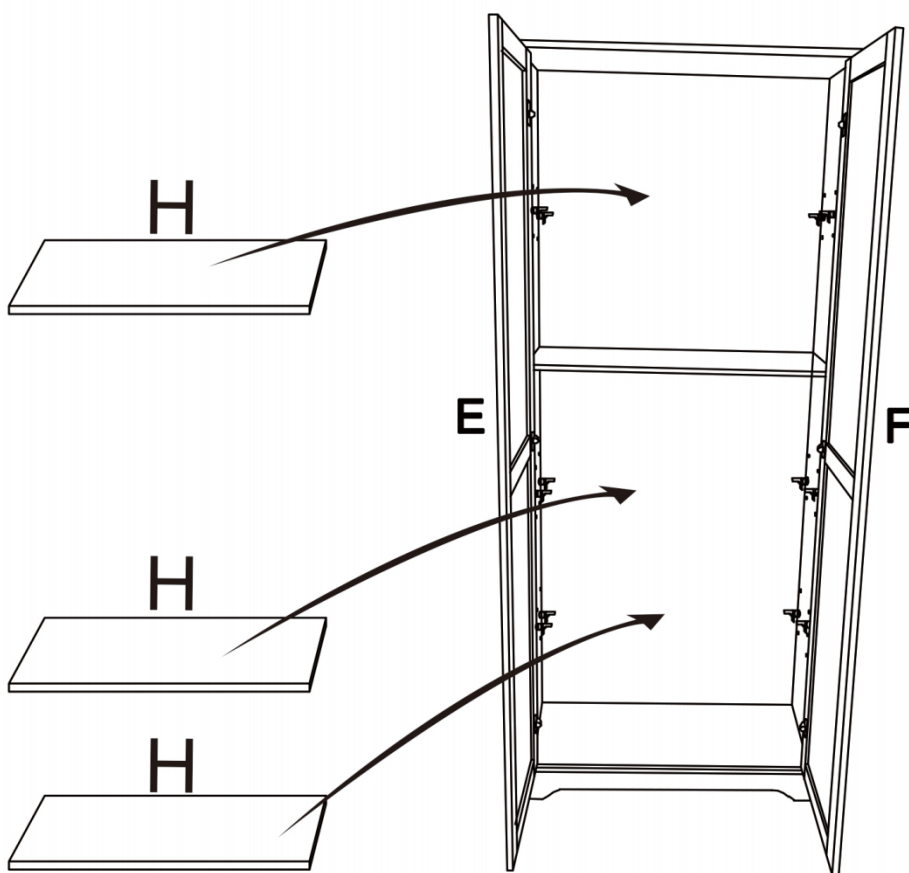
ASSEMBLY STEPS

New panels & accessories needed in below step



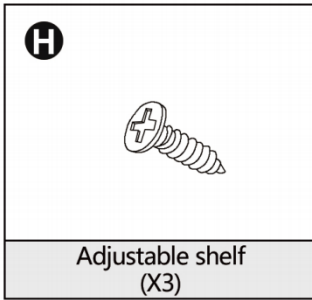
STEP 10

Put the shelves H into the cabinet according to the position of the plastic plugs you put in step 8.



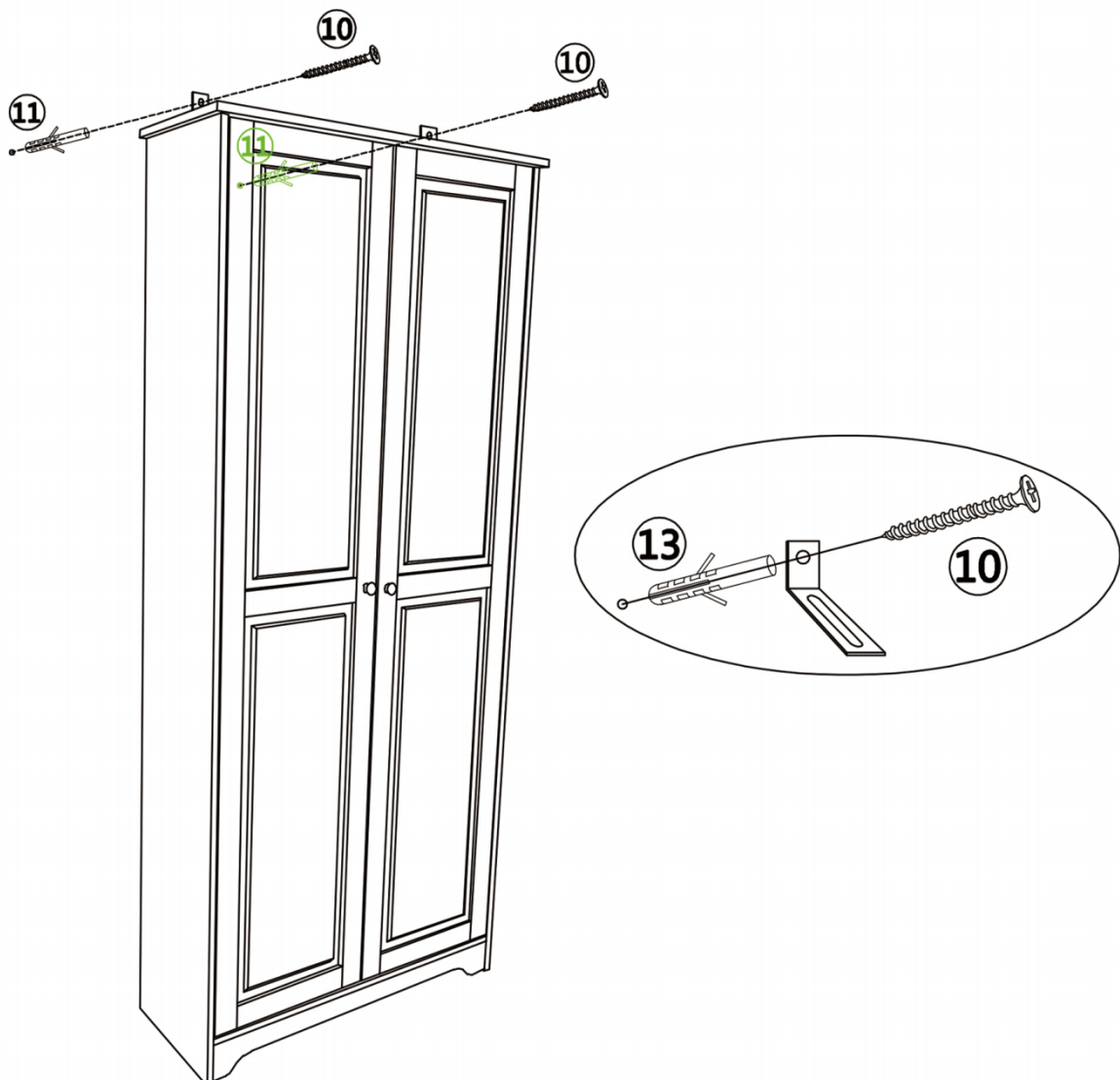
ASSEMBLY STEPS

New panels & accessories needed in below step



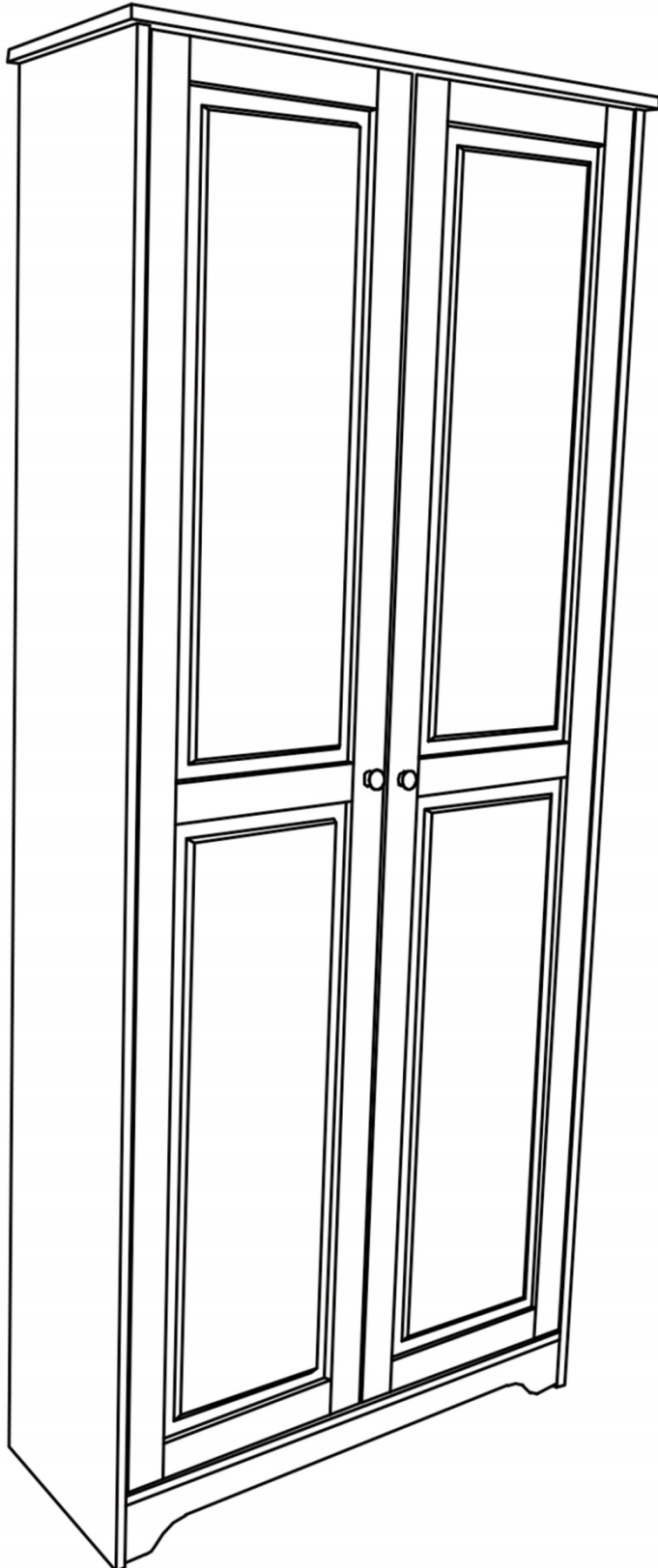
STEP 11

Make holes in the wall with an electric drill, insert expansion screws, and fix the cabinet on the wall with No. 10 screws and wall mounted to prevent it from falling



MAXIMUM LOADS

This unit has been designed to support the maximum loads shown. Exceeding these load limits could cause sagging instability, collapse, and serious injury.



Full Load-bearing:
4 shelves (3 adjustable)
22 LBS for each shelf

FAQs

1. What should I do when there are accessories or hardware missing?

Pls feel free to contact VINGLI customer service via www.vingli.com with your order ID, the quantity, and corresponding listing number of missing part. We will send out for you as soon as possible.

2. What should I do when I received a damaged item?

Pls feel free to contact VINGLI customer service via www.vingli.com with your order ID, picture of defective part to us, and we will solve for you at once.

3. What should I do when pantry cabinet wobbly ?

- a. make sure each panel has been connect to each other properly, and all screws have been tighten after assemble
- b. find out that wobbly part, and if it is the screw cannot tight, you can try to add on a washer to help
- c. if still not work, pls feel free to contact our customer team with the wobbly part detail, and we will solve for you

Supplementary Instructions for Safe Use

⚠ WARNING



Children have died from furniture tipover. To reduce the risk of furniture tipover:

- ALWAYS install tipover restraint provided.
- NEVER put a TV on this product.
- NEVER allow children to stand, climb or hang on drawers, doors, or shelves.
- NEVER open more than one drawer at a time.
- Place heaviest items in the lowest drawers.
- Do not defeat or remove the drawer interlock system.

This is a permanent label.

Do not remove!

⚠ ATTENTION



Des enfants sont morts du basculement des meubles. Pour réduire le risque de basculement des meubles:

- TOUJOURS installer la retenue de basculement fournie.
- NE JAMAIS mettre de téléviseur sur ce produit.
- NE JAMAIS permettre aux enfants de se tenir debout, de grimper ou de s'accrocher à des tiroirs, des portes ou des étagères.
- N'ouvrez JAMAIS plus d'un tiroir à la fois.
- Placez les objets les plus lourds dans les tiroirs les plus bas.
- Ne désactivez pas et ne retirez pas le système de verrouillage du tiroir.

Ceci est une étiquette permanente.

Ne pas enlever!

⚠ WARNUNG



Kinder sind an einem Möbelkipp gestorben. So verringern Sie das Risiko eines Umkippens von Möbeln:

- Installieren Sie IMMER die mitgelieferte Kipprückhaltevorrichtung.
- Stellen Sie NIEMALS einen Fernseher an dieses Produkt.
- Lassen Sie Kinder NIEMALS an Schubladen, Türen oder Regalen stehen klettern oder hängen.
- Öffnen Sie NIEMALS mehr als eine Schublade gleichzeitig.
- Legen Sie schwerste Gegenstände in die untersten Schubladen.
- Besiegen oder entfernen Sie das Schubladenverriegelungssystem nicht.

Dies ist ein dauerhaftes Etikett.

Nicht entfernen!