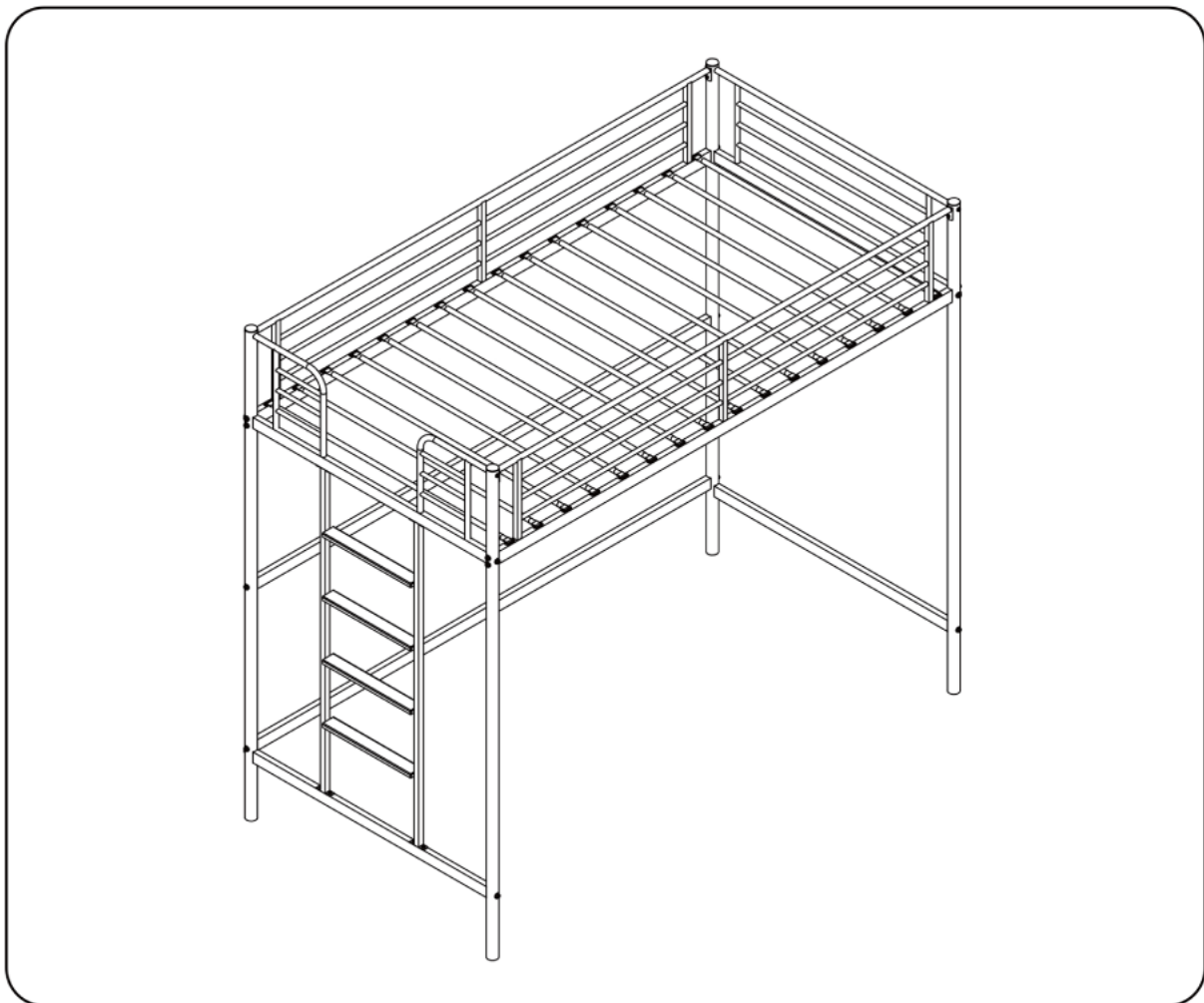




Loft Bed



Thank you for your purchase.
Please contact us if you have difficulty with assembly or need replacement parts.
VINGLI Customer Service is here to assist you.
Email: support@vingli.com
Please attach your User Name or Order ID so that we can assist you better.

Introduction

Guide of Manual

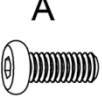
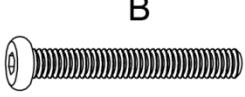



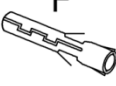

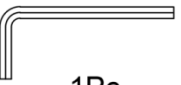

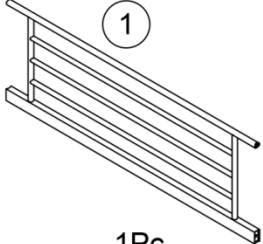
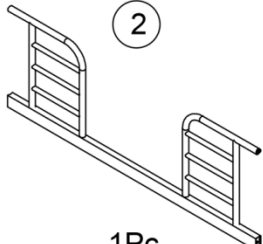
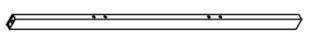

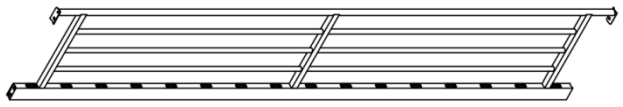

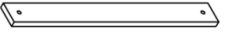


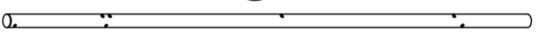
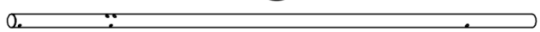


- Please read the following instruction carefully and use the product properly.
- Please keep this manual and hand it over when you transfer the product.
- Please contact us when further information and help needed.

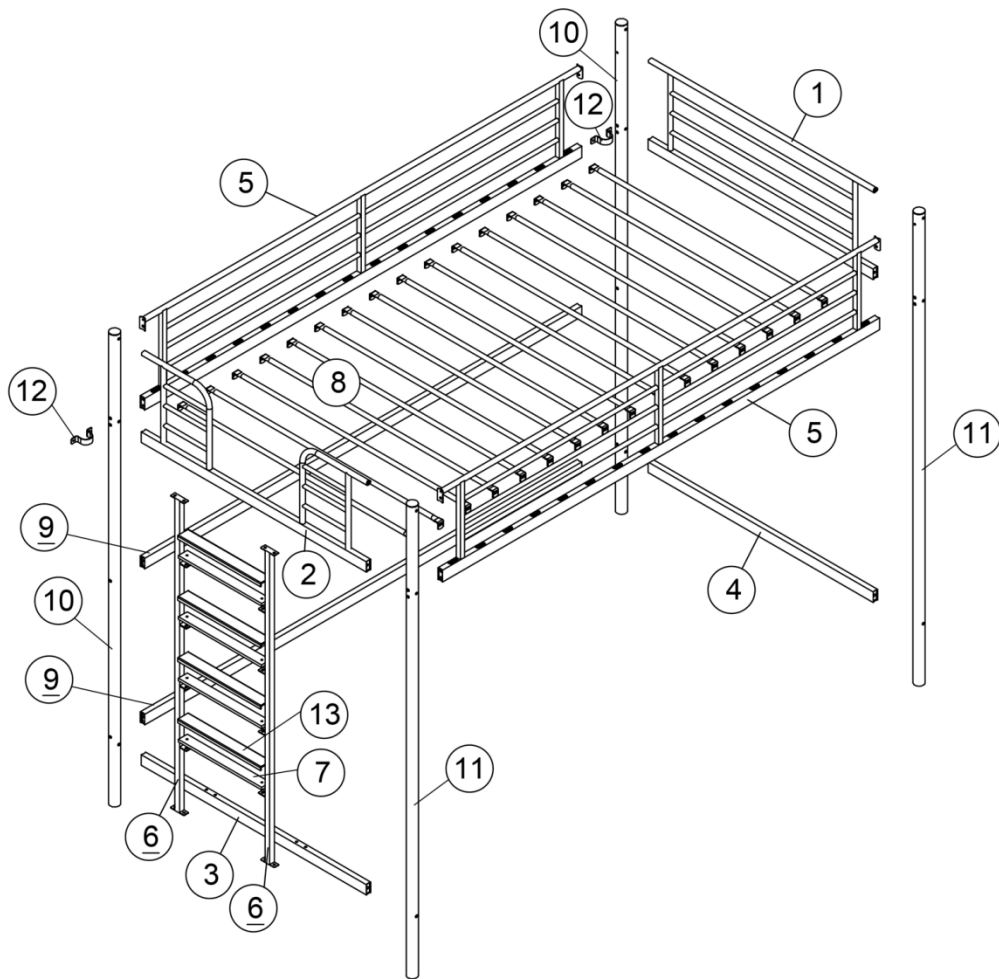
Notes

- Make sure to start on the correct instruction page for the bed configuration you are assembling.
- Unpack parts and hardware carefully to prevent scratching of lacquered components.
- Please assemble the product according to the steps on the diagram strictly.
- Do not fully tighten the screws until all pieces are situated in place.
- For continued use, it's suggested you regularly check the tightness of bolts and connections to ensure safety.
- Do not assemble and disassemble the product repeatedly to avoid damaged.
- To avoid confusion keep all parts and hardware together with the boxes that they came in; some bed configurations require multiple boxes.

SAFETY WARNING:

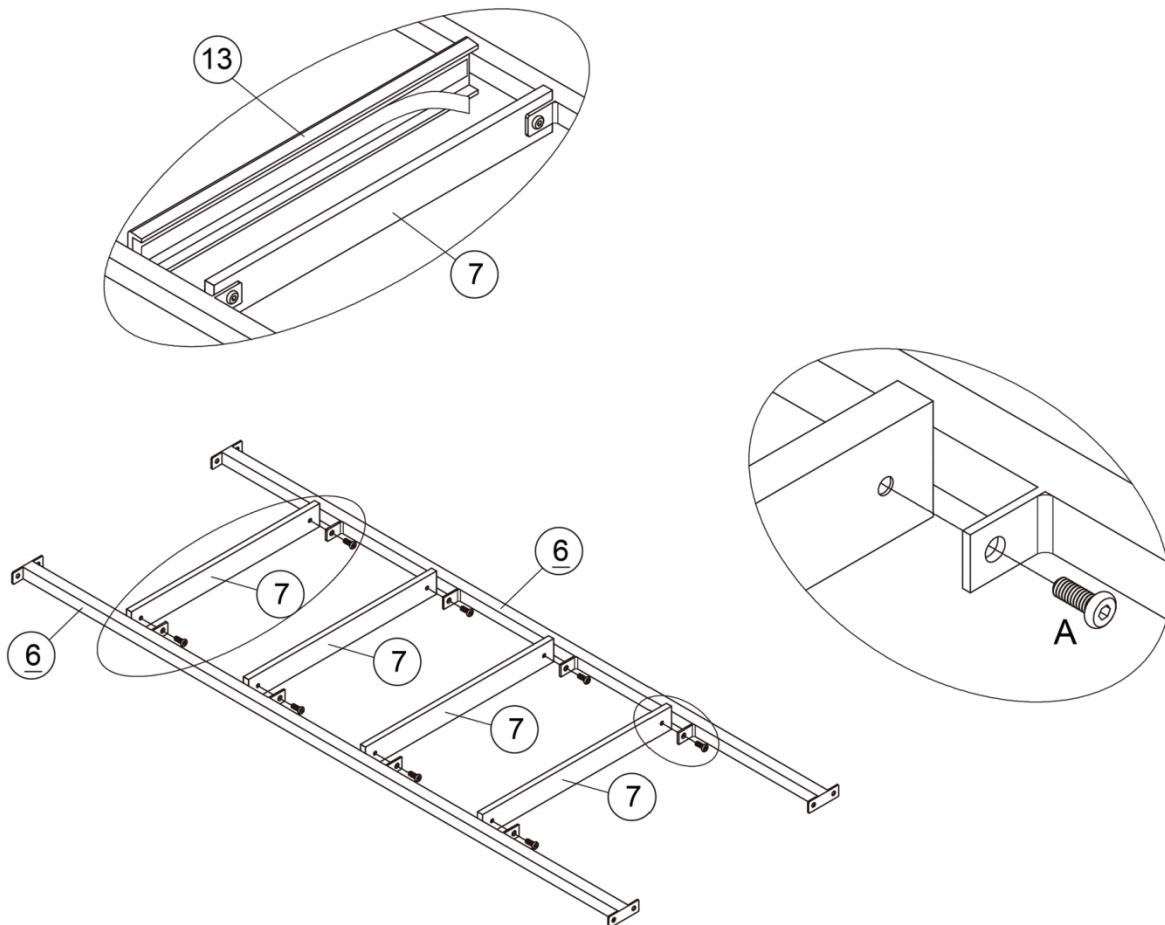
1. Follow the information on the warnings appearing on the upper bunk end structure and on the carton. Do not remove warning label from bed.
2. Always use the recommended size mattress or mat tress support, or both, to help prevent the likelihood of entrapment or falls.
3. Surface of mattress must be at least 5 in. (127 mm) below the upper edge of guardrails.
4. Do not allow children under 6 years of age to use the upper bunk.
5. Periodically check and ensure that the guardrail, ladder, and other components are in their proper position, free from damage, and that all connectors are tight.
6. Do not allow horseplay on or under the bed and prohibit jumping on the bed.
7. Always use the ladder for entering and leaving the upper bunk.
8. Do not use substitute parts. Contact the manufacturer or dealer for replacement parts.
9. Use of a night light may provide added safety precau tion for a child using the upper bunk.
10. Always use guardrails on both long sides of the upper bunk. If the bunk bed will be placed next to the wall, the guardrail that runs the full length of the bed should be placed against the wall to prevent entrapment between the bed and wall.
11. The use of water or sleep flotation mattresses is prohibited.
12. Keep these instructions for future reference.

<p>A</p>  <p>M6x16mm 20Pcs</p>	<p>B</p>  <p>M6x59mm 4Pcs</p>	<p>C</p>  <p>M8x60mm 20Pcs</p>	<p>D</p>  <p>Ø16 4Pcs</p>	<p>E</p>  <p>Ø17 20Pcs</p>
<p>F</p>  <p>6x25mm 4Pcs</p>	<p>G</p>  <p>M4x25mm 4Pcs</p>	<p>H</p>  <p>1Pc S4</p>	<p>I</p>  <p>1Pc S5</p>	
<p>1</p>  <p>1Pc</p>	<p>2</p>  <p>1Pc</p>	<p>3</p>  <p>1Pc</p>	<p>4</p>  <p>1Pc</p>	
<p>5</p>  <p>2Pcs</p>		<p>6</p>  <p>2Pcs</p>	<p>7</p>  <p>4Pcs</p>	
<p>8</p>  <p>16Pcs</p>		<p>9</p>  <p>2Pcs</p>		
<p>10</p>  <p>2Pcs</p>	<p>11</p>  <p>2Pcs</p>		<p>12</p>  <p>2Pcs</p>	<p>13</p>  <p>4Pcs</p>



Assembly Steps

STEP 1 Assemble Ladder



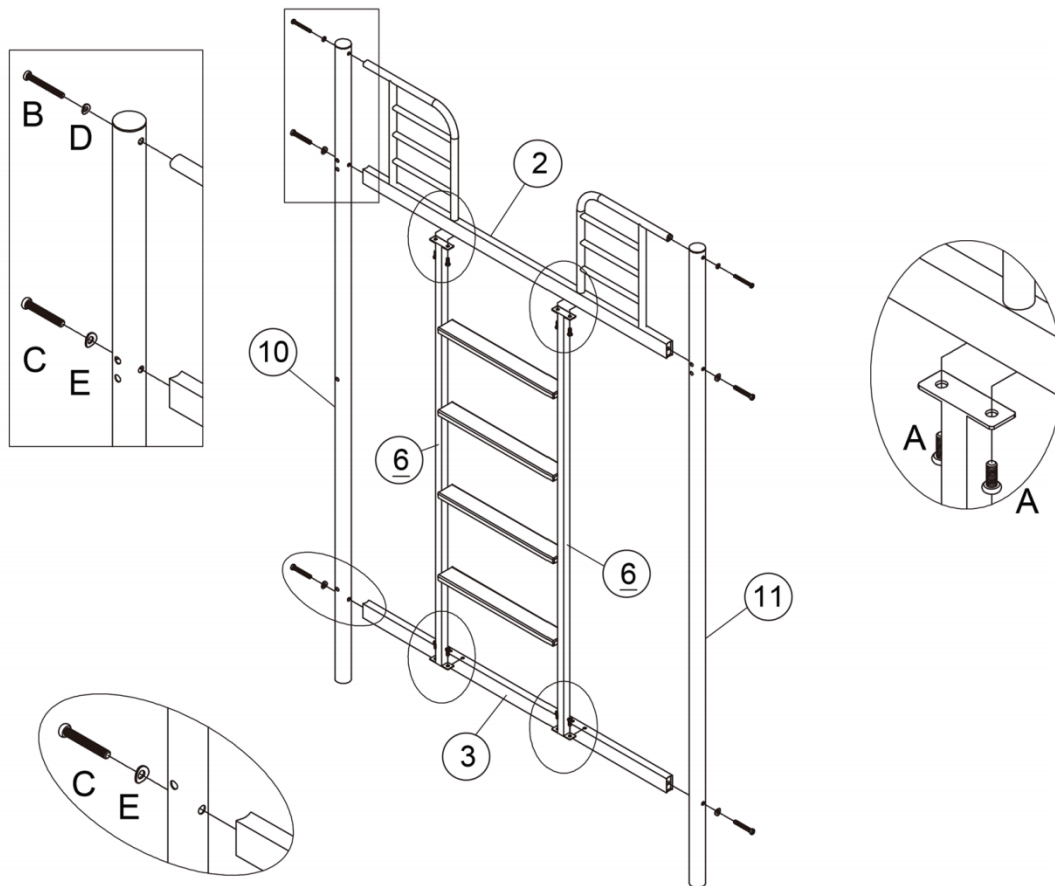
Assembly method:

1. Insert Screw (A) through a step holder on Ladder Rail (6) to secure Ladder Step (7) to the rail (Notice: The welding joint should face downward and make sure the contact surface of Ladder Step (7) and Ladder Rail (6) is smooth and even.)
2. Remove the release liner of the double-sided tape on the back of Rubber Tread Cover (13) and attach it to Ladder Step (7)

CODE	HARDWARE	QTY
A	 M6x16mm	8






Assembly Steps

STEP 2 Assemble Side Guard Rail and Post (With Ladder)



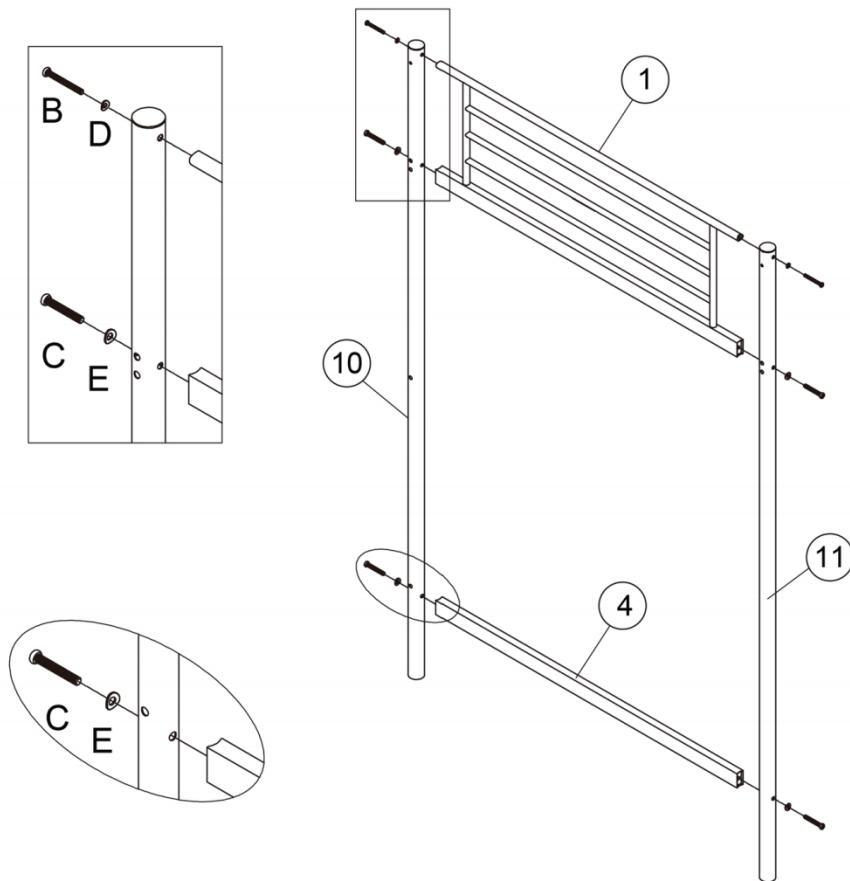
Assembly method:

1. Mount Screw (B) and Washer (D) to the hole on Post (10&11) to attach the top of Side Guard Rail (2), then use Screw (C) and Washer (E) to attach the bottom of Side Guard Rail (2) to Post (10&11).
2. Use Screw (C) and Washer (E) to attach Short Spreader Bar (3) to Post (10&11).
3. Install the ladder in Step 1 to Side Guard Rail (2) and Short Spreader Bar (3) use Screw (A) to secure.

CODE	HARDWARE	QTY
A	 M6x16mm	8
B	 M6x59mm	2
C	 M8x60mm	4
D	 Ø16	2
E	 Ø17	4





Assembly Steps

STEP 3 Assemble Side Guard Rail and Post



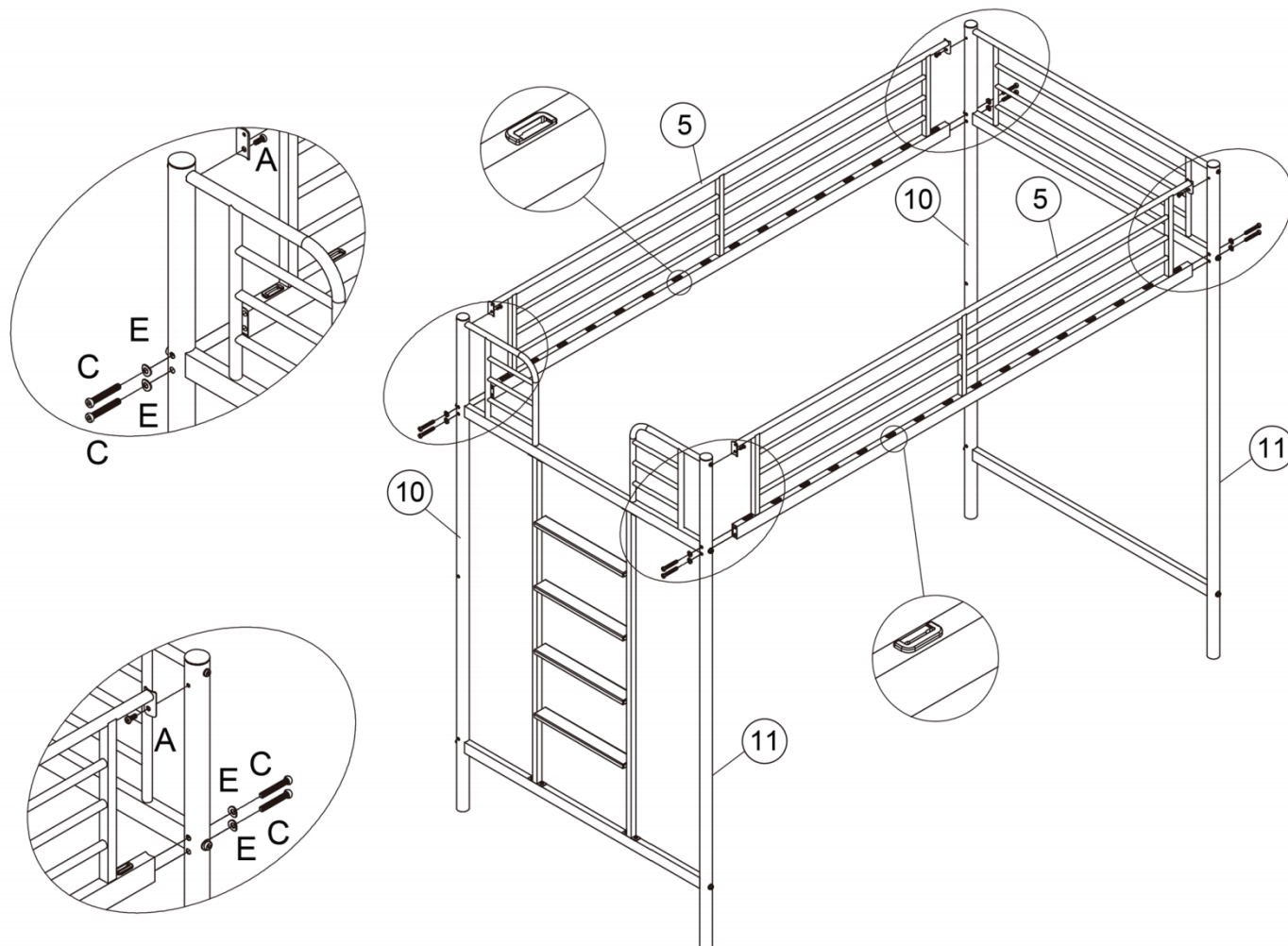
Assembly method:

1. Mount Screw (B) with Washer (D) to the hole on Post (10&11) to attach the top of Side Guard Rail (1)
2. Use Screw (C) with Washer (E) to attach the bottom of Side Guard Rail (1) to Post (10&11).
3. Use Screw (C) with Washer (E) to attach Short Spreader Bar (4) to Post (10&11).

CODE	HARDWARE	QTY
B	 M6x59mm	2
C	 M8x60mm	4
D	 Ø16	2
E	 Ø17	4

Assembly Steps

STEP 4 Assemble Long Guard Rails






Assembly method:

Insert Screw (A) through the holes on the upper part of Long Guard Rail (5) and Post (10&11), then use Screw (C) and Washer (E) to attach Post (10&11) to Long Guard Rail (5). Both long guard rails at the front and back install in the same way.

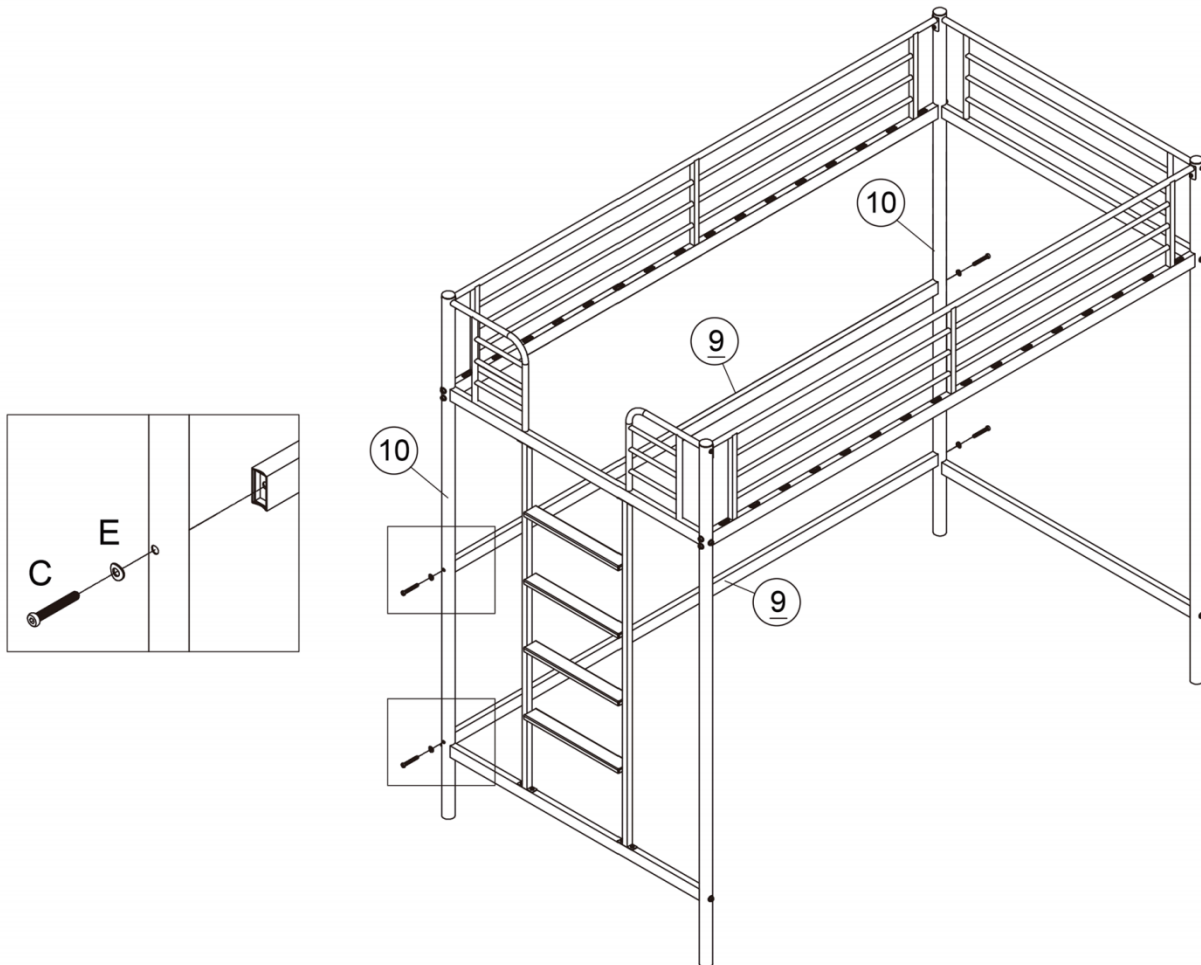
NOTE:

Please check the correct direction of plastic slots as shown in the picture before assembly. Tighten screws finger-tight only at this step.

CODE	HARDWARE	QTY
A	 M6x16mm	4
C	 M8x60mm	8
E	 Ø17	8



Assembly Steps

STEP 5 Assemble the Back Side Long Spreader Bar



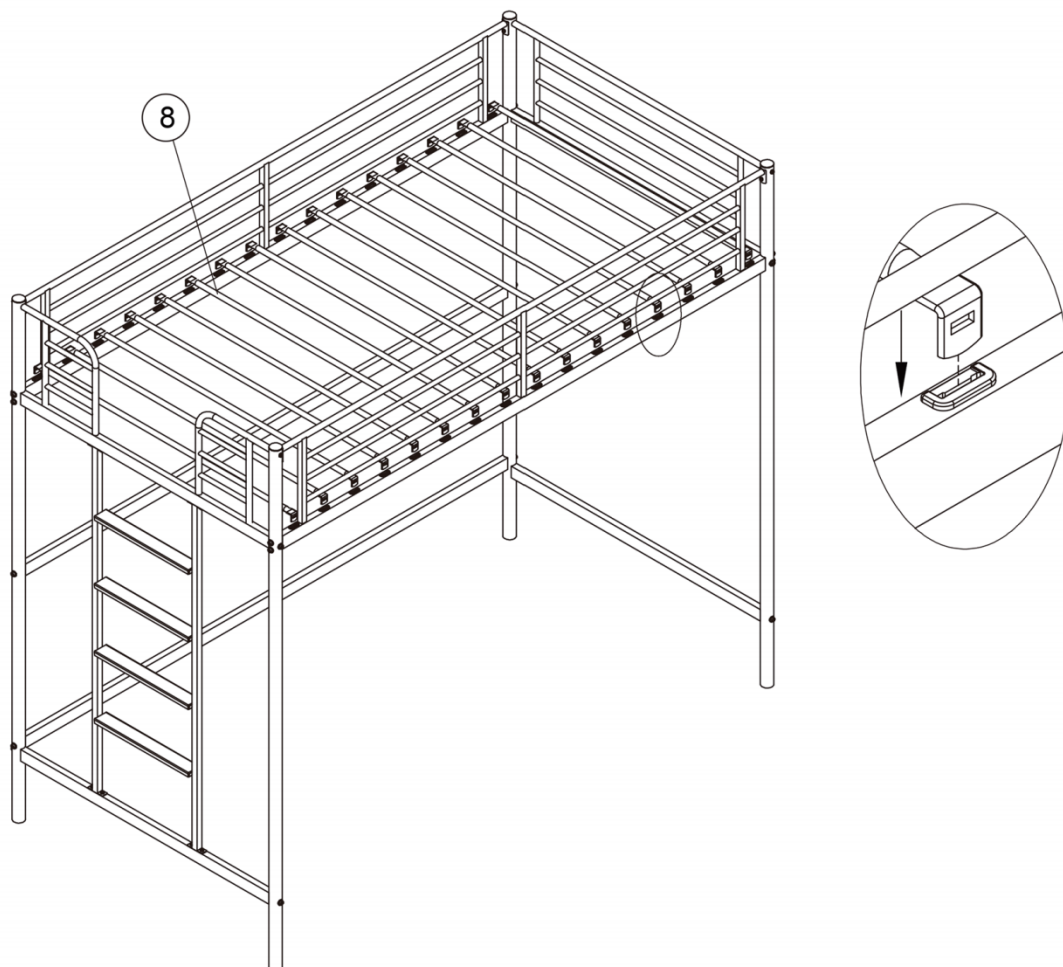
Assembly method:

1. Insert Screw (C) and Washer (E) to the center and bottom holes on Post (10) to attach Long Spreader Bar (9)
2. Tighten all screws on the bed frame further.

CODE	HARDWARE	QTY
C	 M8x60mm	4
E	 Ø17	4

Assembly Steps

STEP 6 Install Bed Slats



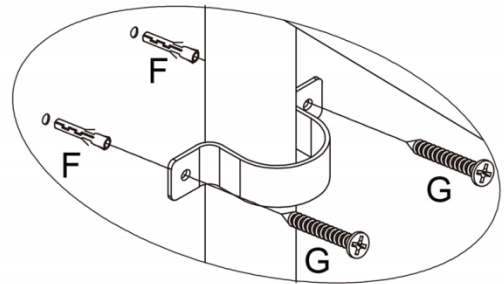
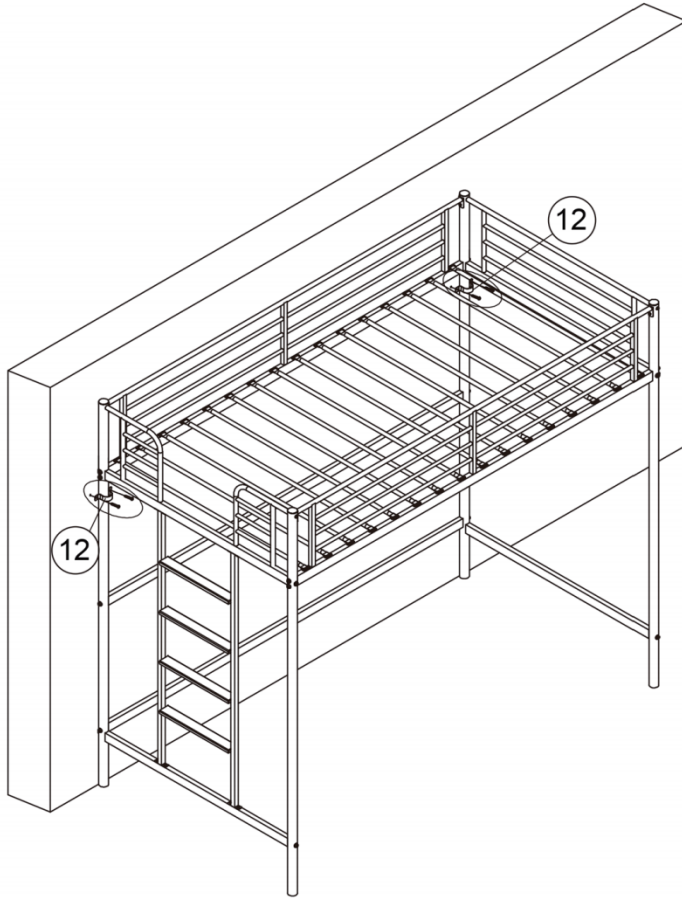
Assembly method:

Push Slat (8) to plastic slots as shown in the picture.

If you fail to insert Slat (8) into the slot, please make sure the direction of plastic slots is correct following Step 4.



Assembly Steps

STEP 7 Secure Bed to the Wall



Assembly method:

Attach bed to the wall for extra stability by using Connector (12) with Expansion bolt (F) and Screw (G). This step is optional.

CODE	HARDWARE	QTY
F	 6x25mm	4
G	 M4x25mm	4