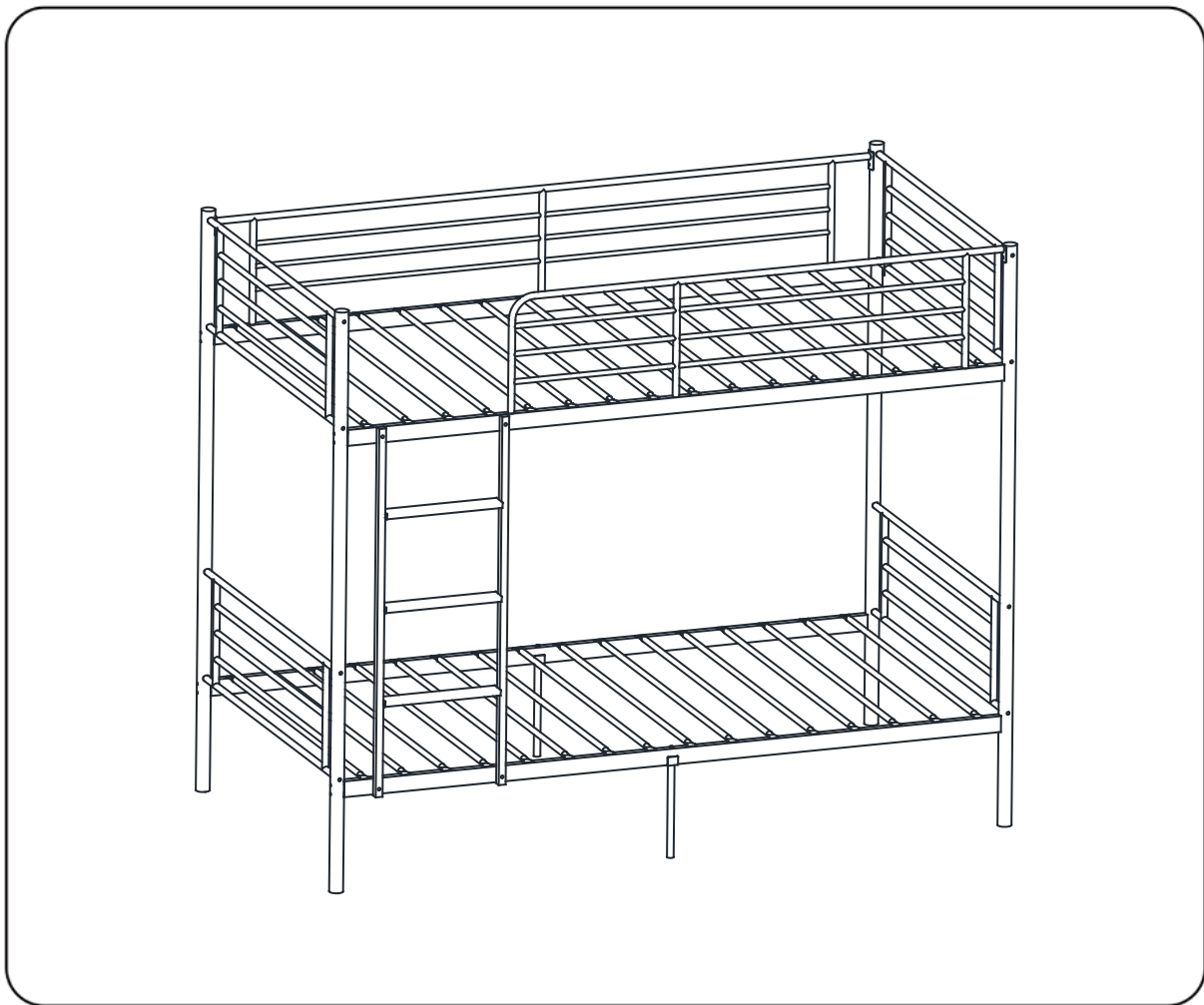




Bunk Bed



Thank you for your purchase.
Please contact us if you have difficulty with assembly or need replacement parts.
VINGLI Customer Service is here to assist you.
Email: support@vingli.com
Please attach your User Name or Order ID so that we can assist you better.

Introduction

Guide of Manual

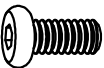


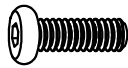







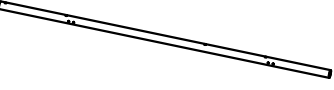


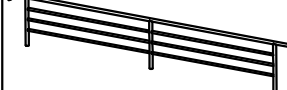


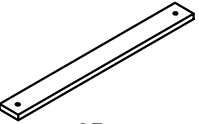
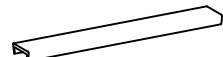




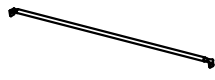

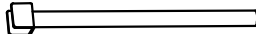
- Please read the following instruction carefully and use the product properly.
- Please keep this manual and hand it over when you transfer the product.
- Please contact us when further information and help needed.

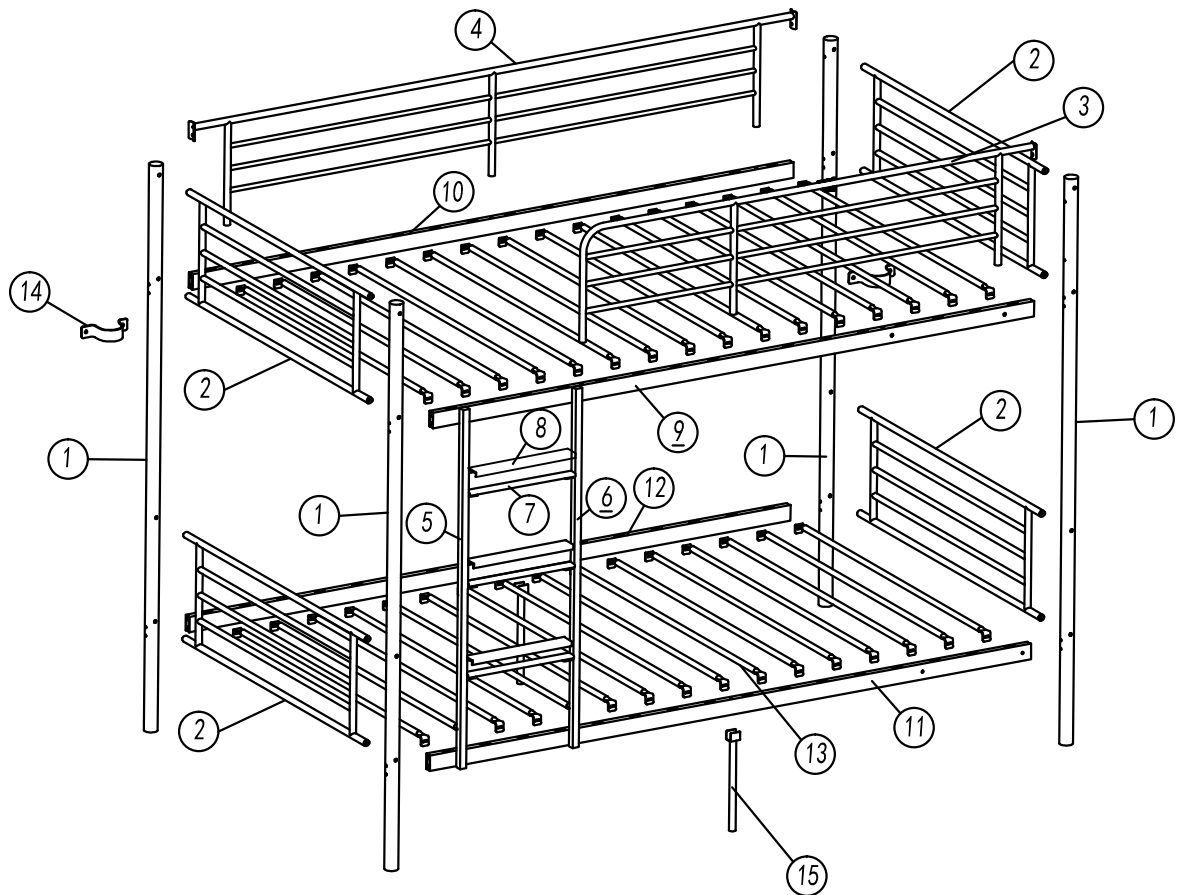
Notes

- Make sure to start on the correct instruction page for the bed configuration you are assembling.
- Unpack parts and hardware carefully to prevent scratching of lacquered components.
- Please assemble the product according to the steps on the diagram strictly.
- Do not fully tighten the screws until all pieces are situated in place.
- For continued use, it's suggested you regularly check the tightness of bolts and connections to ensure safety.
- Do not assemble and disassemble the product repeatedly to avoid damaged.
- To avoid confusion keep all parts and hardware together with the boxes that they came in; some bed configurations require multiple boxes.

SAFETY WARNING:

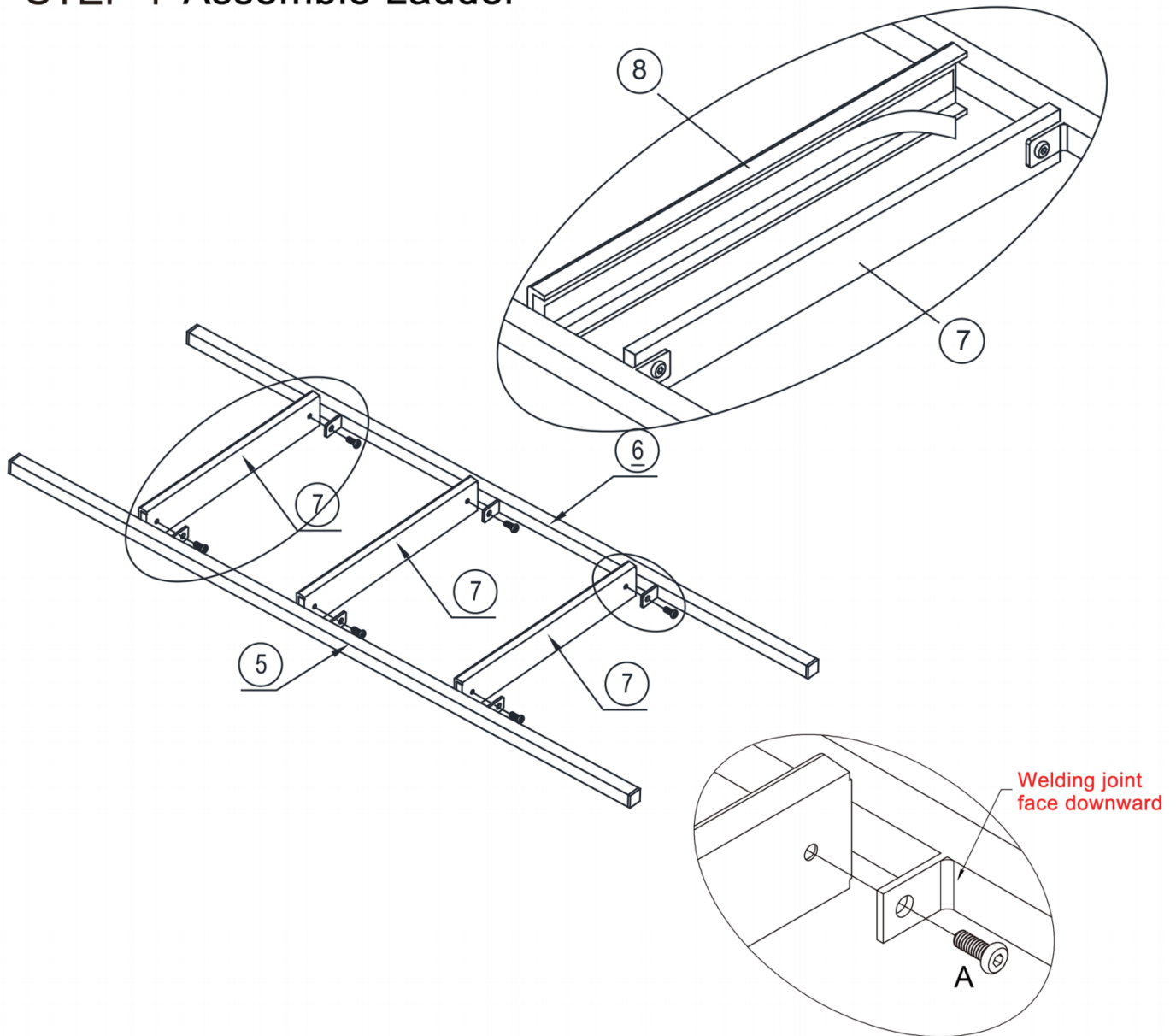
1. Follow the information on the warnings appearing on the upper bunk end structure and on the carton. Do not remove warning label from bed.
2. Always use the recommended size mattress or mat tress support, or both, to help prevent the likelihood of entrapment or falls.
3. Surface of mattress must be at least 5 in. (127 mm) below the upper edge of guardrails.
4. Do not allow children under 6 years of age to use the upper bunk.
5. Periodically check and ensure that the guardrail, ladder, and other components are in their proper position, free from damage, and that all connectors are tight.
6. Do not allow horseplay on or under the bed and prohibit jumping on the bed.
7. Always use the ladder for entering and leaving the upper bunk.
8. Do not use substitute parts. Contact the manufacturer or dealer for replacement parts.
9. Use of a night light may provide added safety precau tion for a child using the upper bunk.
10. Always use guardrails on both long sides of the upper bunk. If the bunk bed will be placed next to the wall, the guardrail that runs the full length of the bed should be placed against the wall to prevent entrapment between the bed and wall.
11. The use of water or sleep flotation mattresses is prohibited.
12. Keep these instructions for future reference.

<p>A</p>  <p>M6x16 9Pcs</p>	<p>B</p>  <p>M6x59 24Pcs</p>	<p>C</p>  <p>M8x60 16Pcs</p>	<p>D</p>  <p>M6x34 4Pcs</p>	<p>E</p>  <p>Ø17 16Pcs</p>	<p>F</p>  <p>Ø16 16Pcs</p>	<p>G</p>  <p>Ø16 4Pcs</p>
<p>H</p>  <p>6x25 4Pcs</p>	<p>I</p>  <p>M4x25 4Pcs</p>	<p>J</p>  <p>S4 1Pc</p>	<p>K</p>  <p>S5 1Pc</p>			
<p>①</p>  <p>4Pcs</p>	<p>②</p>  <p>4Pcs</p>	<p>③</p>  <p>1Pc</p>	<p>④</p>  <p>1Pc</p>	<p>⑤</p>  <p>1Pc</p>		
<p>⑥</p>  <p>1Pc</p>	<p>⑦</p>  <p>3Pcs</p>	<p>⑧</p>  <p>3Pcs</p>	<p>⑨</p>  <p>1Pc</p>	<p>⑩</p>  <p>1Pc</p>		
<p>⑪</p>  <p>1Pc</p>	<p>⑫</p>  <p>1Pc</p>	<p>⑬</p>  <p>32Pcs</p>	<p>⑭</p>  <p>2Pcs</p>	<p>⑮</p>  <p>2Pcs</p>		



Assembly Steps

STEP 1 Assemble Ladder



Assembly method:

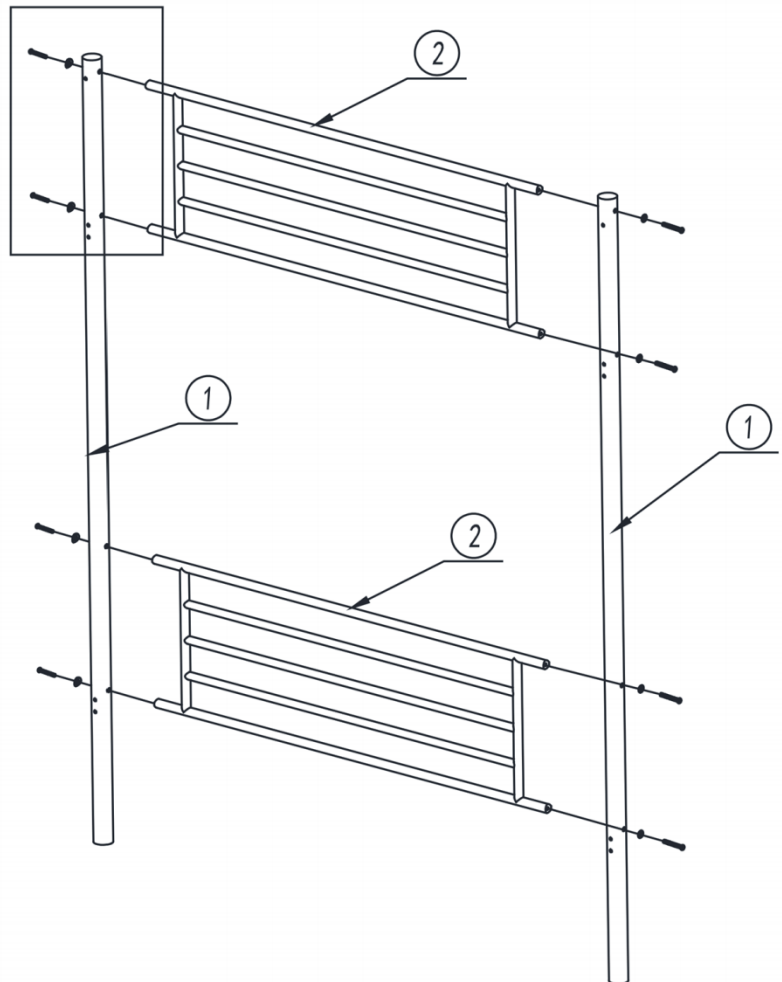
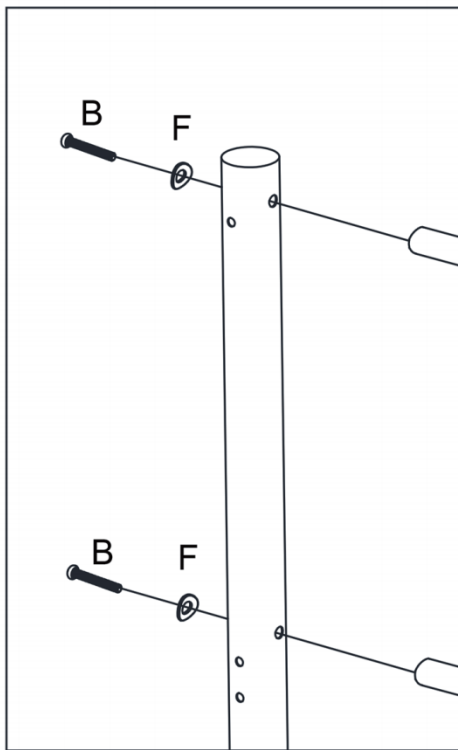
1. Insert Screw (A) through a step holder on Ladder Rail (5&6) to secure Ladder Step (7) to the rail (Notice: The welding joint should face downward and make sure the contact surface of Ladder Step (7) and Ladder Rail (6) is smooth and even.)
2. Remove the release liner of the double-sided tape on the back of Rubber Tread Cover (13) and attach it to Ladder Step (7)

CODE	HARDWARE	QTY
A	 M6x16mm	6

Assembly Steps



STEP 2 Assemble Side Guard Rails and Posts

2x



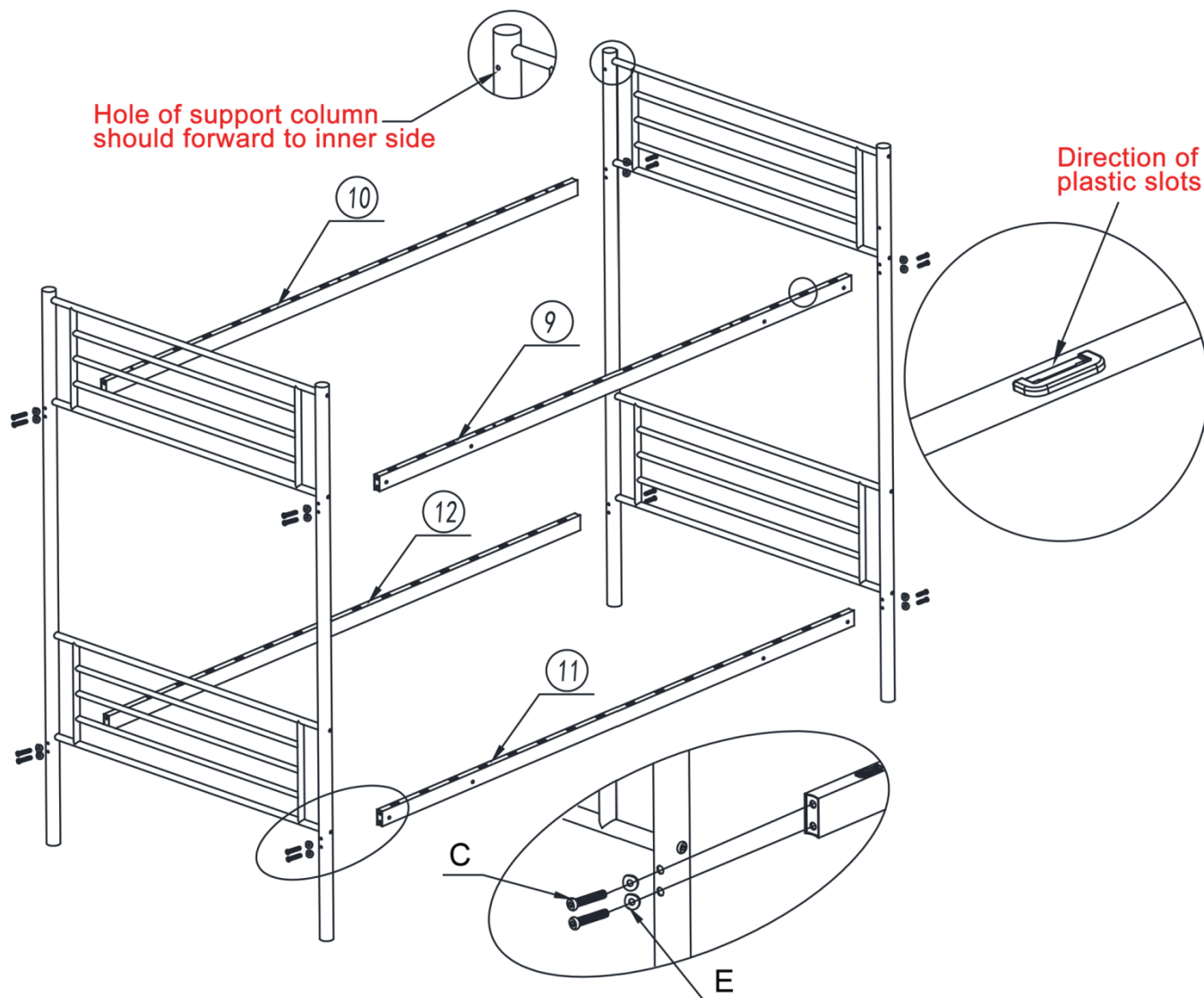
Assembly method:

Mount Screw (B) and Washer (F) to the holes on Post (1) to attach Side Guard Rail (2).
Guard rails at both sides install in the same way.

CODE	HARDWARE	QTY
B	 M6x59mm	16
F	 Ø16	16

Assembly Steps



STEP 3 Assemble Top and Under Side Rails



Assembly method:

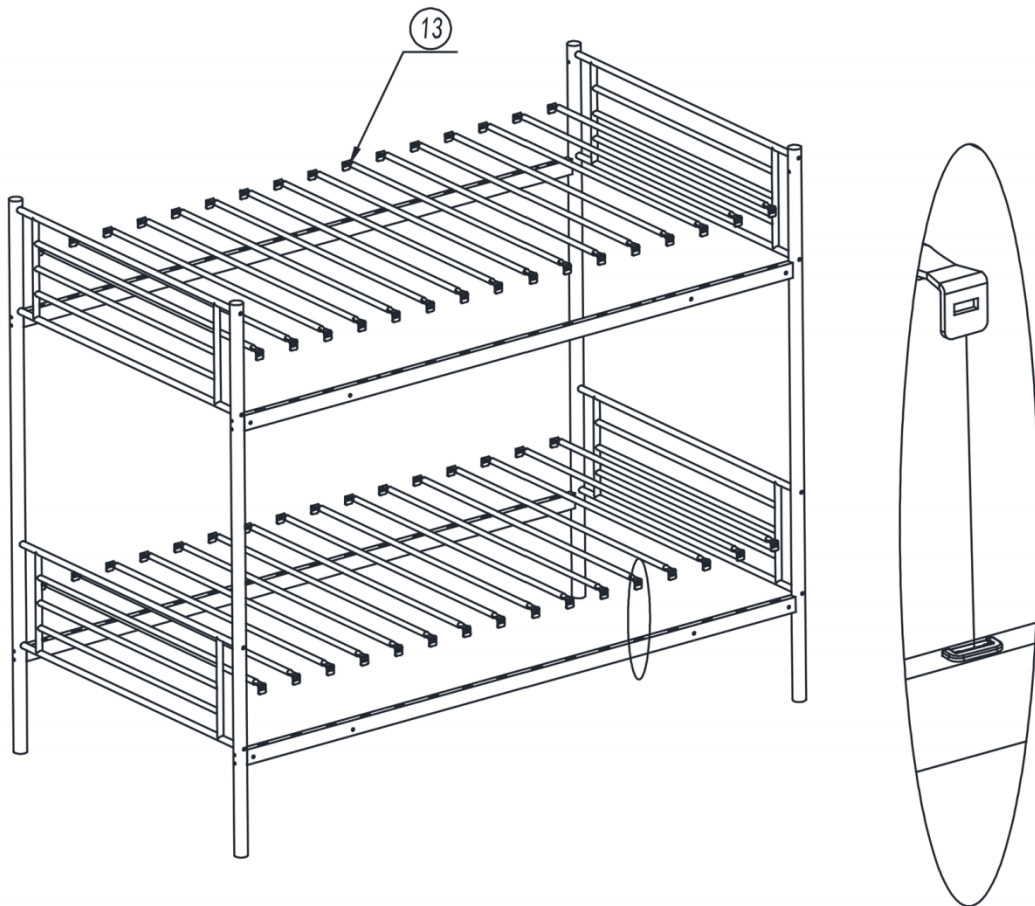
Use Screw (C) and Washer (E) to attach Side Rail (9&10&11&12) to Post (1) on both sides. Side Rail (9) and (11) should be installed on the same side, and Side Rail (10) and (12) on the other side to make sure holes on side rails can install ladder properly.

NOTE: Please make sure the small round hole on each Post (1) as shown in the picture faces inward to the bed for attaching Long Guard Rail (3&4); check the correct direction of plastic slots as shown in the picture before assembly

CODE	HARDWARE	QTY
C	 M8x60mm	16
E	 Ø17	16

Assembly Steps

STEP 4 Install Bed Slats



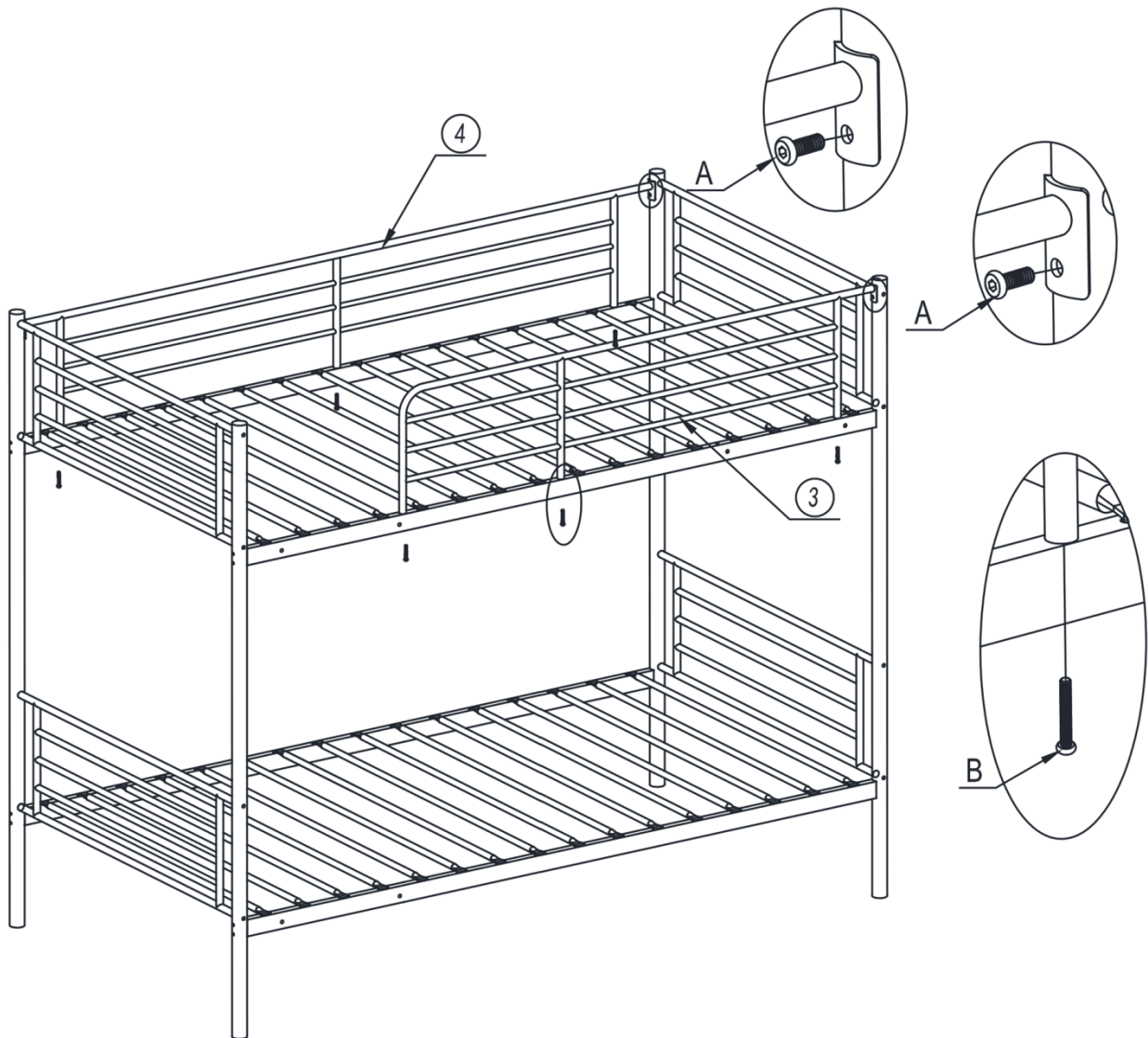
Assembly method:

Push Slat (13) to plastic slots as shown in the picture.

If you fail to insert Slat (13) into the slot, please make sure the direction of plastic slots is correct following NOTE in Step 3.



Assembly Steps

STEP 5 Assemble Top Long Guard Rails



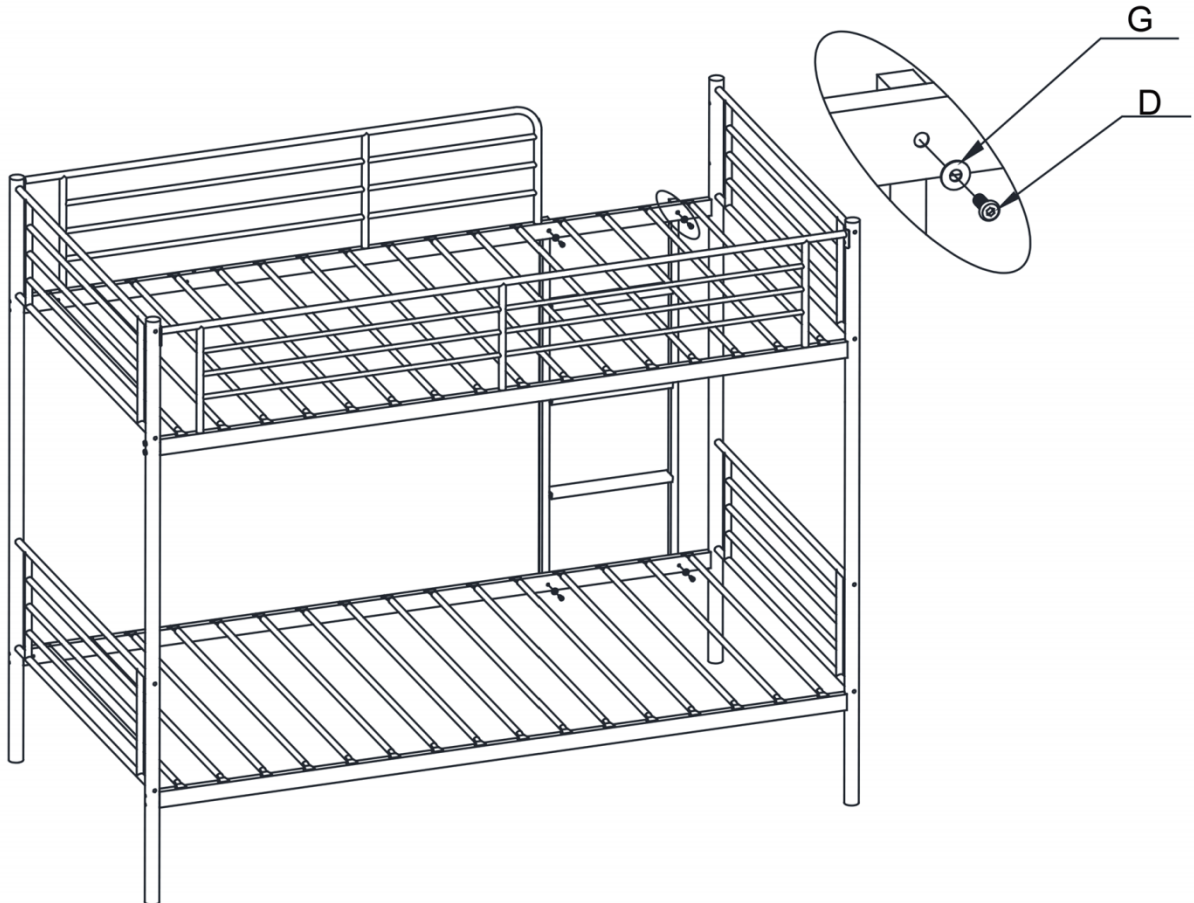
Assembly method:

1. Use Screw (A) to attach Long Guard Rail (3&4) to Post (1).
2. Insert Screw (B) from the bottom upward through the holes of side rails to attach Long Guard Rail (3&4) to side rail.

CODE	HARDWARE	QTY
A	 M6x16mm	3
B	 M6x59mm	6

Assembly Steps



STEP 6 Install Ladder



Assembly method:

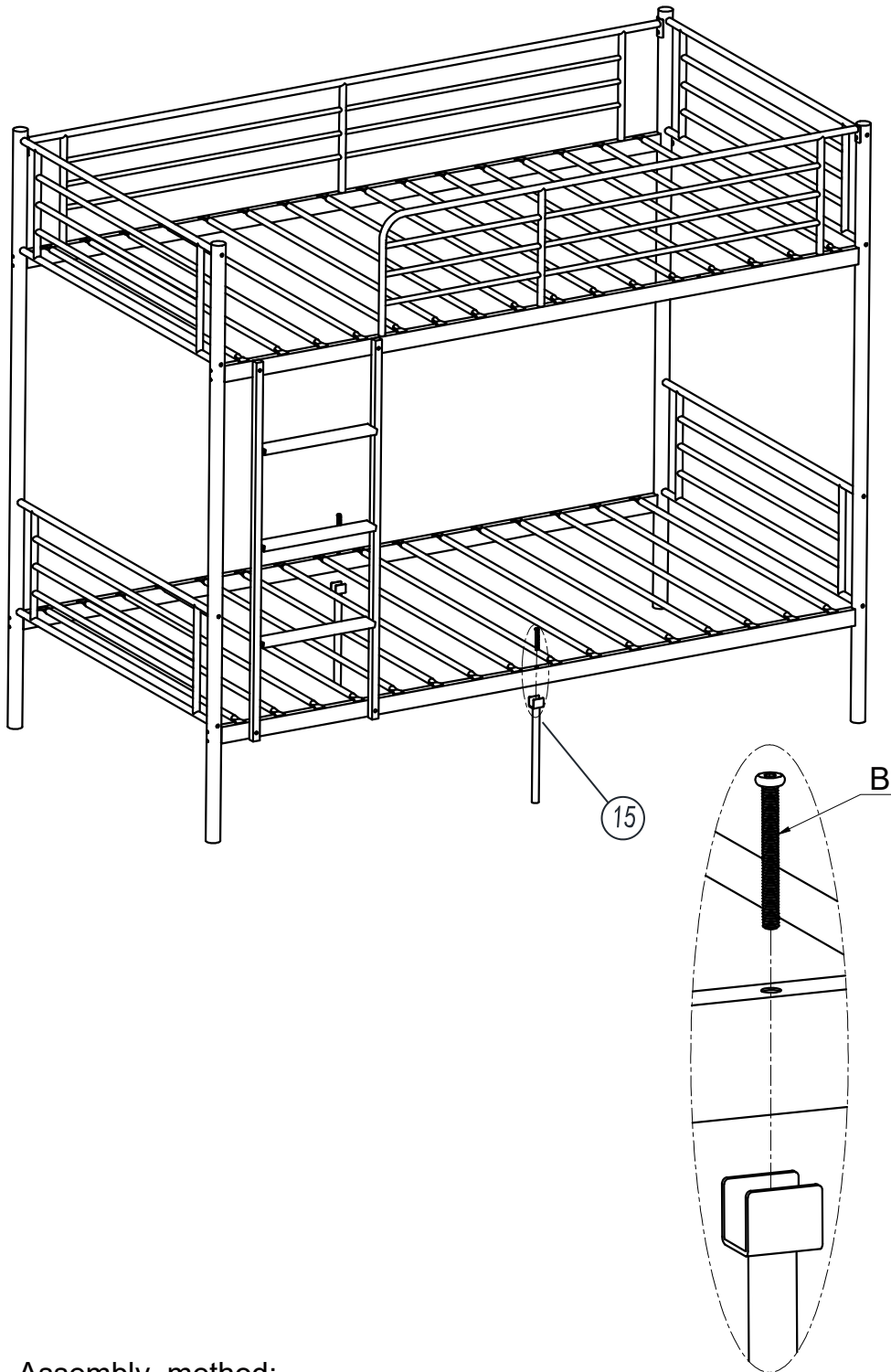
To install the ladder in Step 1 to the bed frame, insert Screw (D) and Washer (G) through the hole from the inner side of side rail to secure ladder.

NOTE: The ladder can be installed on the left or right of the bed according to personal needs

CODE	HARDWARE	QTY
D	 M6x34mm	4
G	 Ø16	4

Assembly Steps

STEP 7 Install support leg



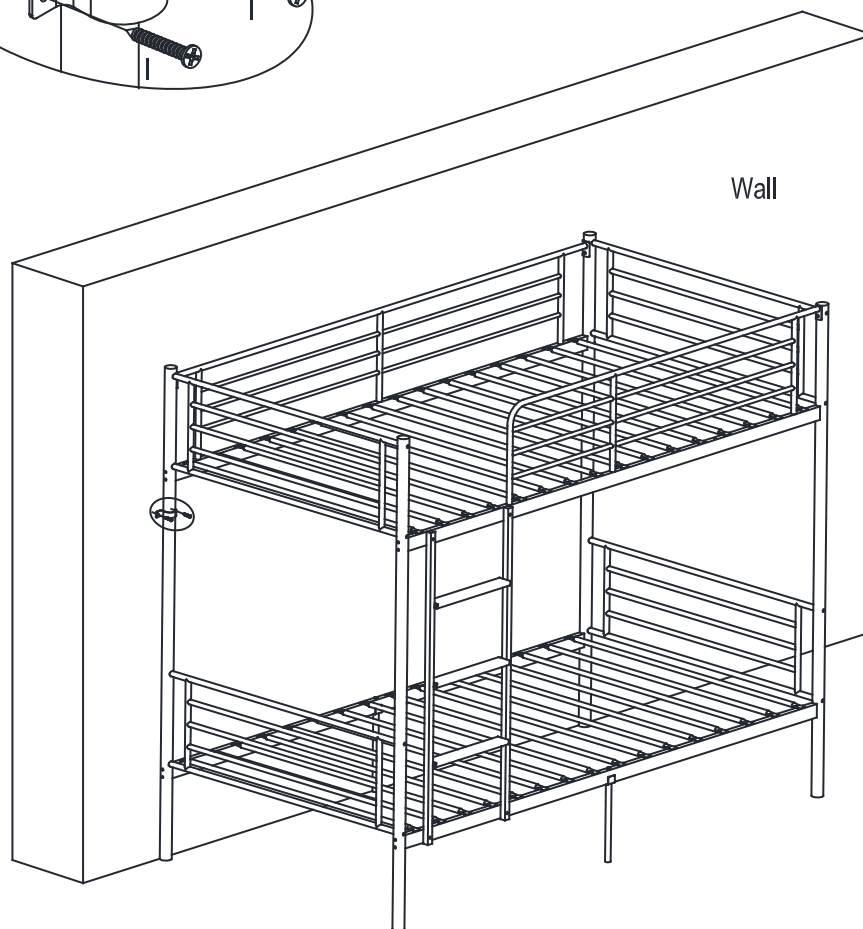
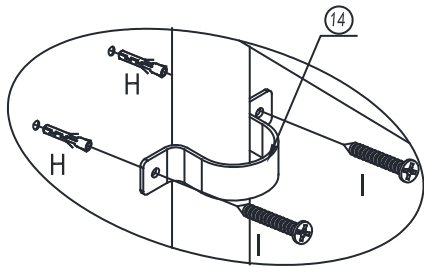
Assembly method:

Align Support Leg (15) to the screw hole on Side Rail (11&12), use Screw (B) to tighten downwards

CODE	HARDWARE	QTY
B	 M6x59mm	2



Assembly Steps

STEP 8 Secure Bed to the Wall



Assembly method:

Attach bed to the wall for extra stability by using Connector (14) with Expansion bolt (H) and screw (I). This step is optional.

CODE	HARDWARE	QTY
H	 6x25mm	4
I	 M4x25mm	4