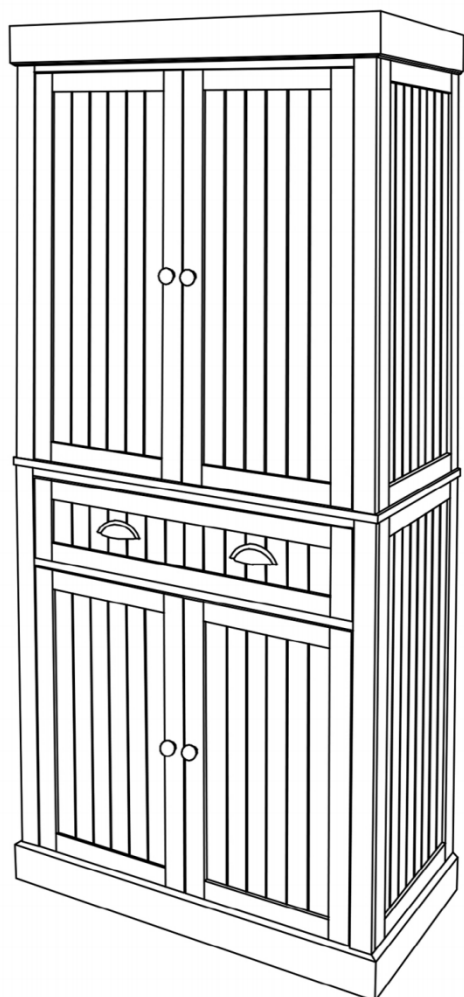


ASSEMBLY TIPS

Applicable Model



MODEL : PC0W0DW

DIMENSION: Overall Size:
29.92" W x 15.75" D x 71.62" H
Size of Drawer:
25.6" W x 11.8" D x 5.1" H

FEATURES : Adjustable Shelves
Engineered Wood with White
Paint

Load-Capacity : 33 LBS per shelf
22 LBS for drawer

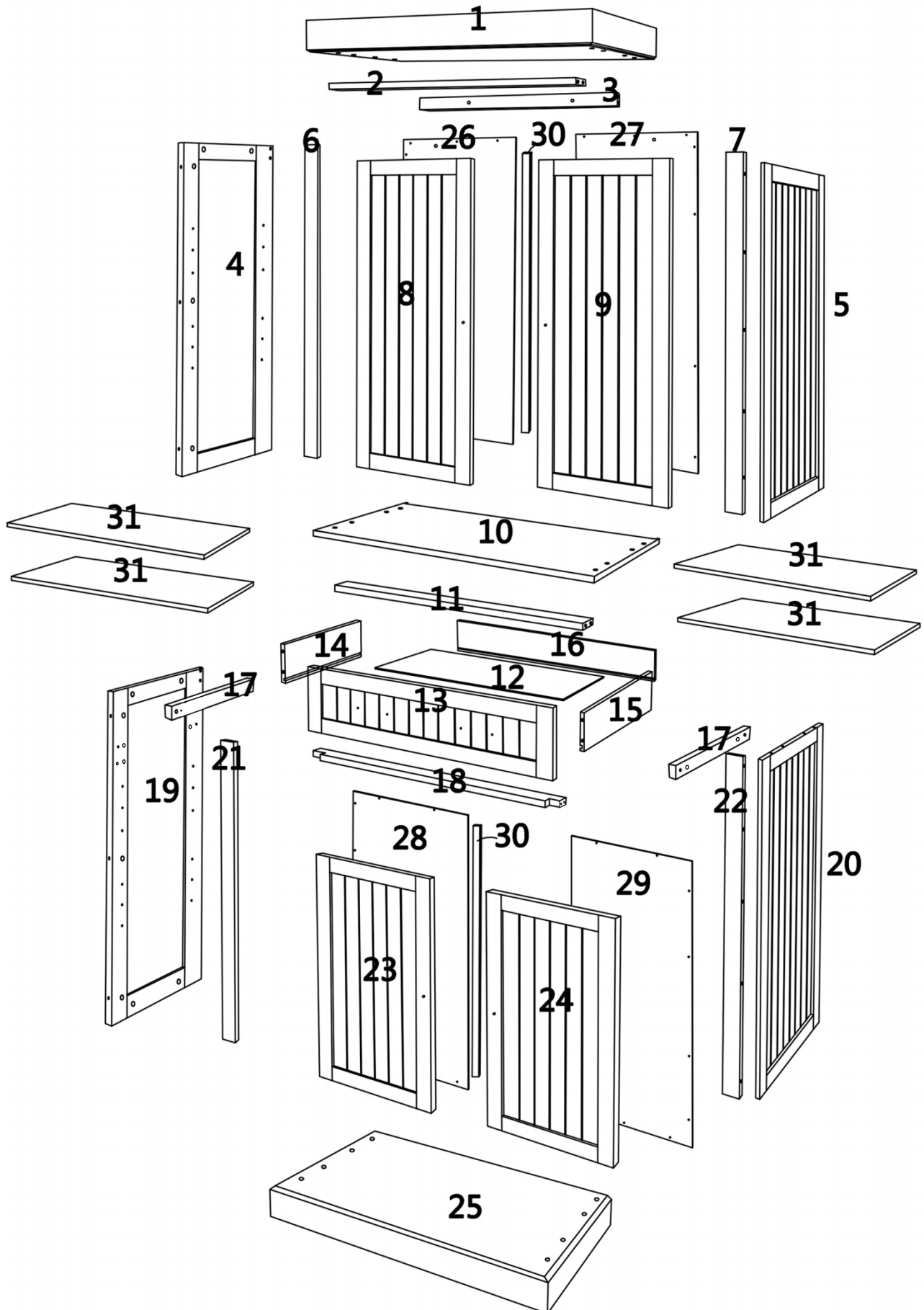
 Estimated Time for Assembly
120 mins

Caution:

- 1.This product is designed for home use and not intended for commercial use.
- 2.This product contains small components. Please ensure that they are kept away from small children.
- 3.Becareful when using power tools to assemble your furniture. Power tools may strip or damage the parts

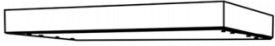
IDENTIFY PARTS

All in 1 big box!



COMPONENTS

1



Top Cover
(X1)

2



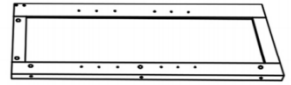
Upper Decorative Strip
(X1)

3



Anti-tip Fixing Strip
(X1)

4



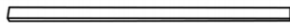
Upper Left Side Panel
(X1)

5



Upper Right Side Panel
(X1)

6



Upper Left Side Panel Fixing Strip
(X1)

7



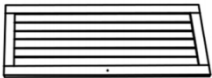
Upper Right Side Panel Fixing Strip
(X1)

8



Upper Left Door Panel
(X1)

9



Upper Right Door Panel
(X1)

10



Separate Panel
(X1)

11



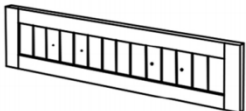
Lower Decorative Strip
(X1)

12



Drawer Bottom Panel
(X1)

13



Drawer Front Panel
(X1)

14



Drawer Left Panel
(X1)

15



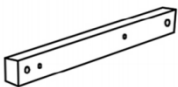
Drawer Right Panel
(X1)

16



Drawer Back Panel
(X1)

17



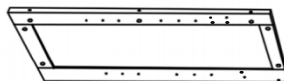
Slide Rail Connecting Strip
(X2)

18



Drawer Support Bar
(X1)

19



Lower Left Side Panel
(X1)

20



Lower Right Side Panel
(X1)

21



Lower Left Side Panel Fixing Strip
(X1)

22



Lower Right Side Panel Fixing Strip
(X1)

23

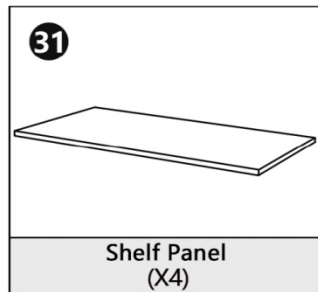
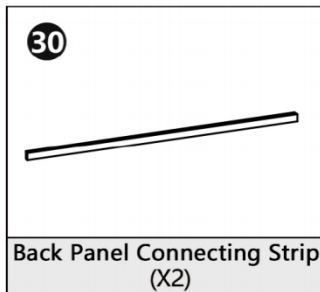
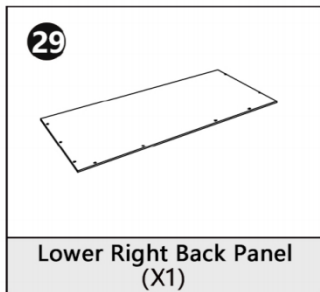
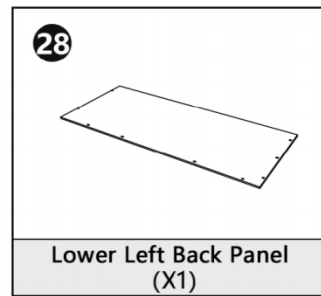
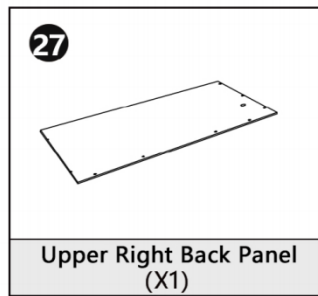
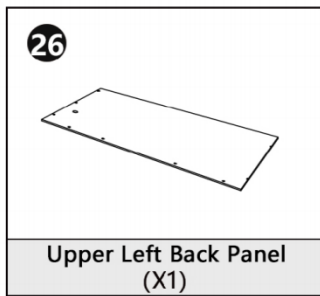
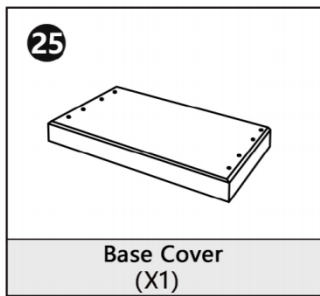


Lower Left Door Panel
(X1)

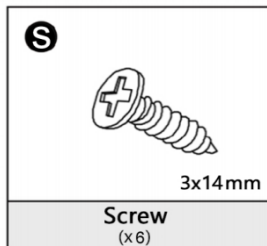
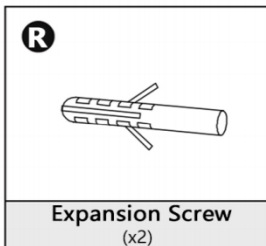
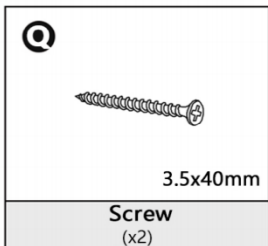
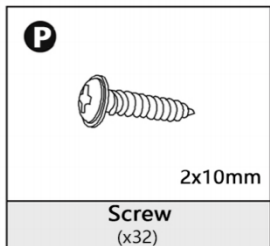
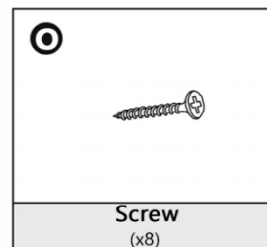
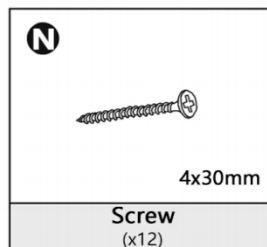
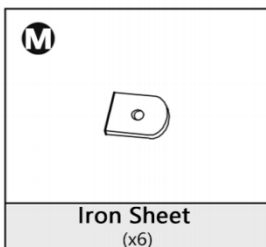
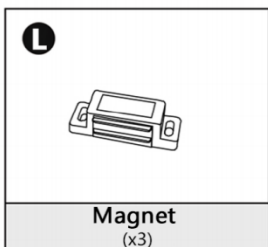
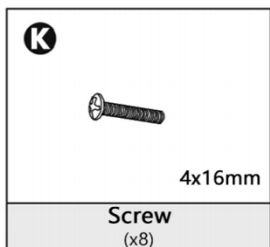
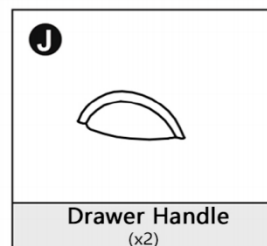
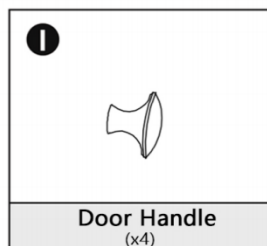
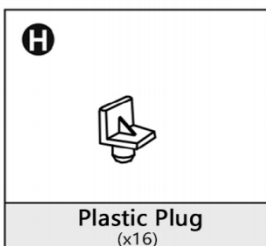
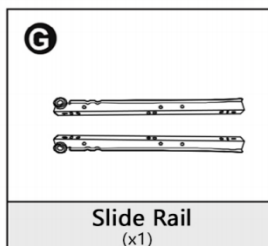
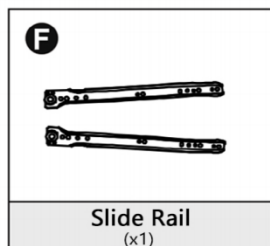
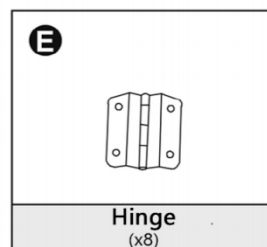
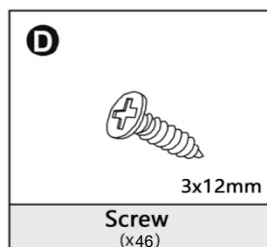
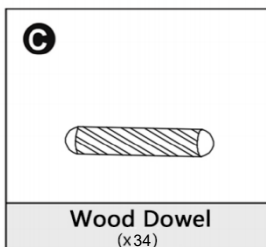
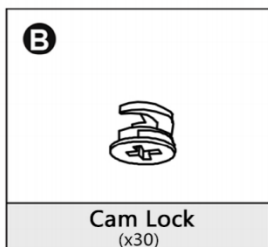
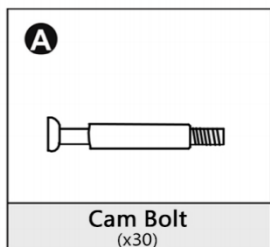
24



Lower Right Door Panel
(X1)

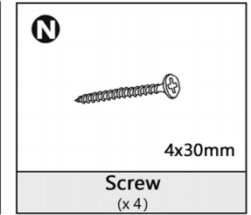
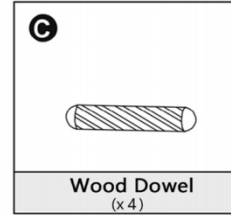
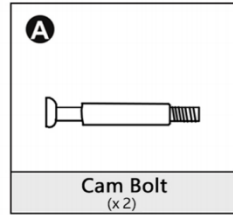
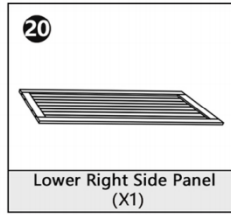
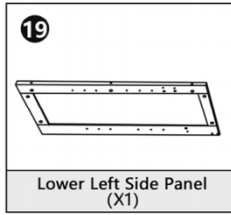
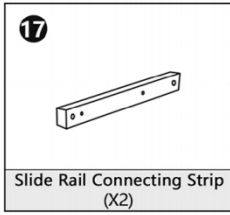


HARDWARES



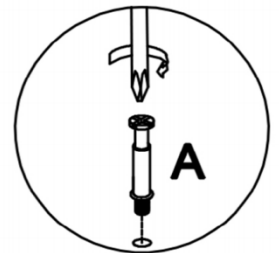
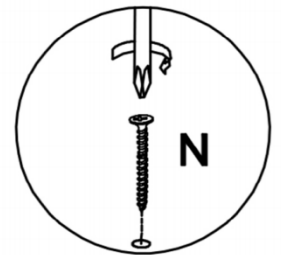
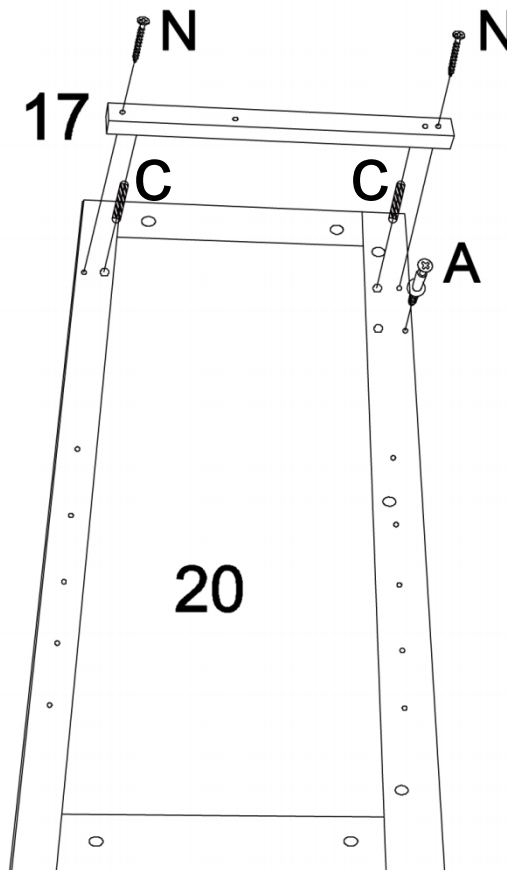
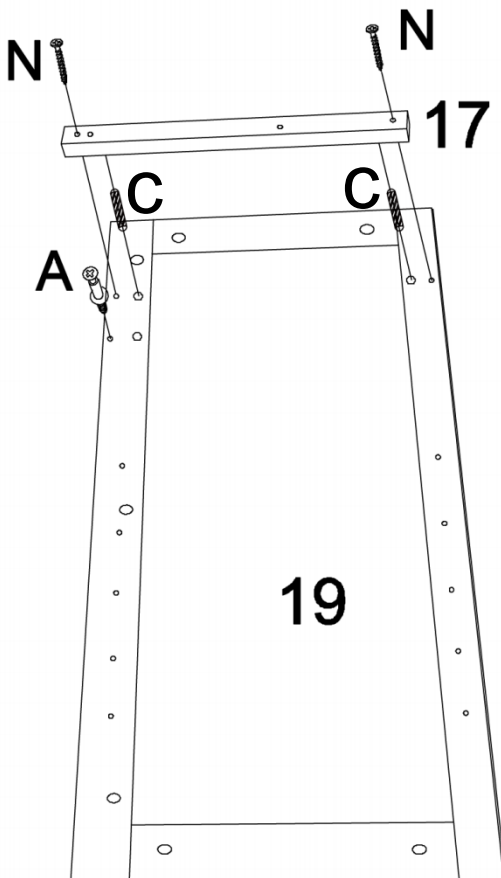
ASSEMBLY STEPS

New panels & accessories needed in below step



STEP1

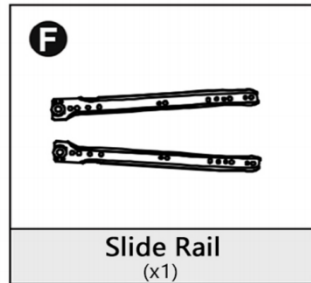
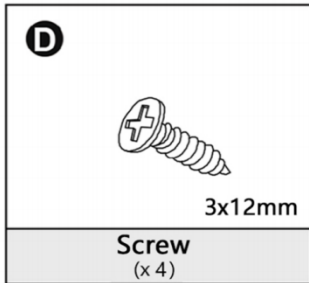
Fix Panel 17 to Panel 19&20 with Screws N and fix Cam Bolt A to Panel 19&20
Tips: Please put a soft object under the board to prevent scratches on the board



PREVENT SCRATCHES

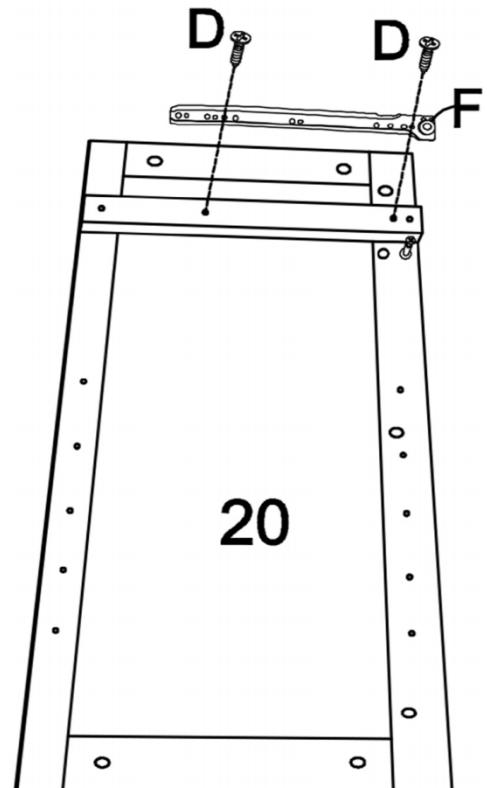
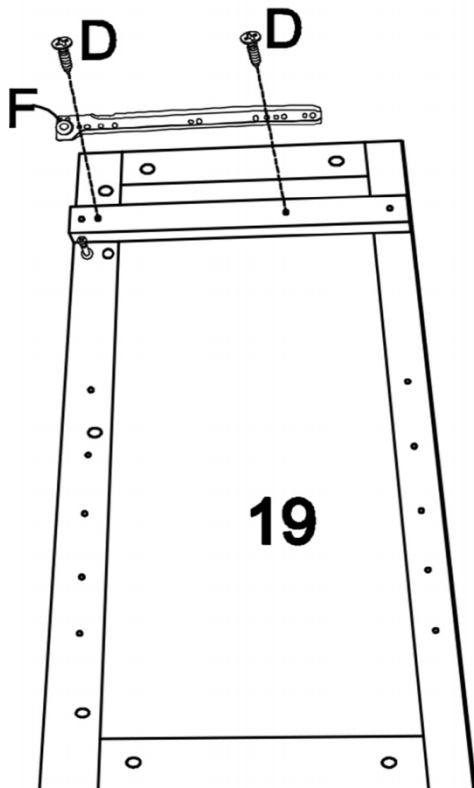
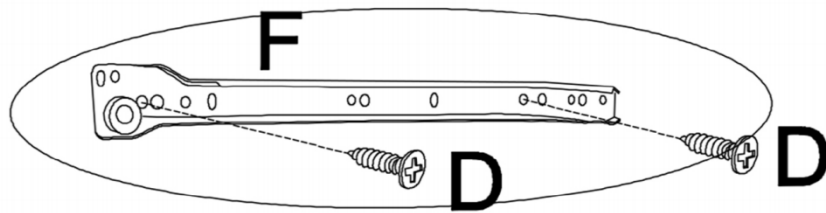
ASSEMBLY STEPS

New panels & accessories needed in below step



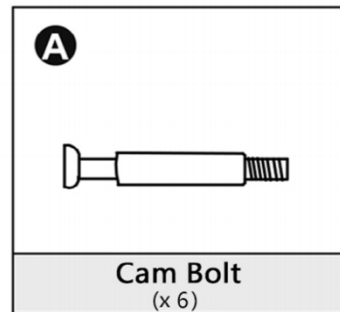
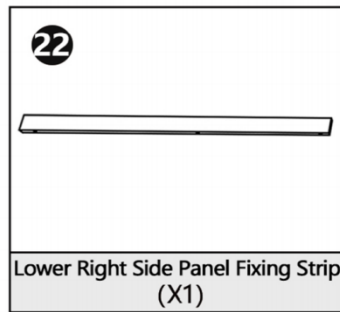
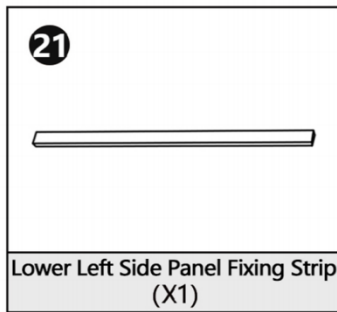
STEP 2

Fix Slide Rails F to Panel 17 with Screws D according to the hole positions shown in the figure



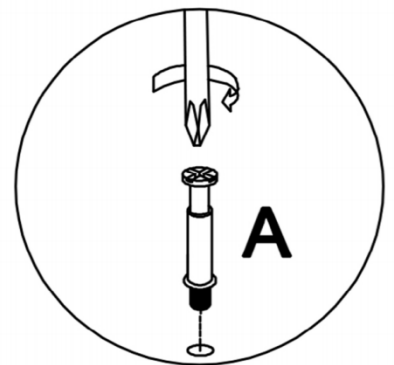
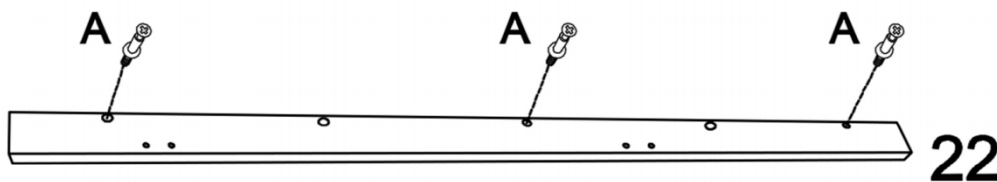
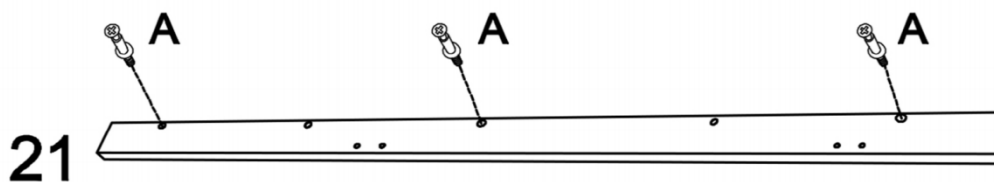
ASSEMBLY STEPS

New panels & accessories needed in below step



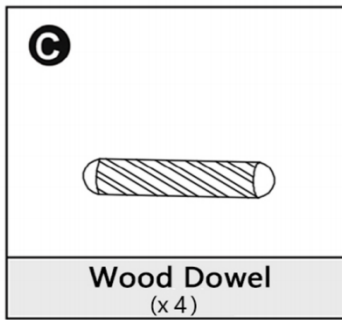
STEP 3

As the figure, fix Cam Bolt A to Panel 21&22



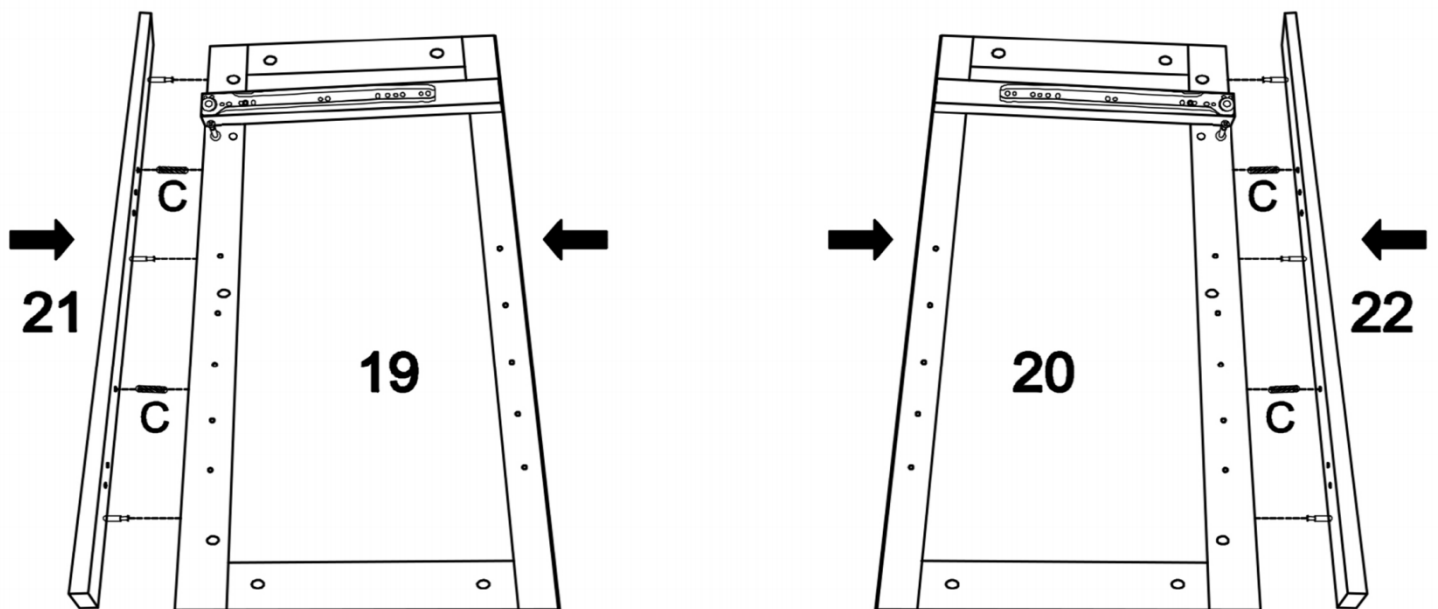
ASSEMBLY STEPS

New panels & accessories needed in below step



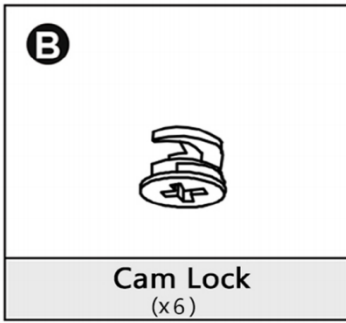
STEP 4

Fix Panel 21 and Panel 22 to Panel 19 and Panel 20 accordingly by Wood Dowel C. Note to put the smooth side of Panel 21&22 outwards



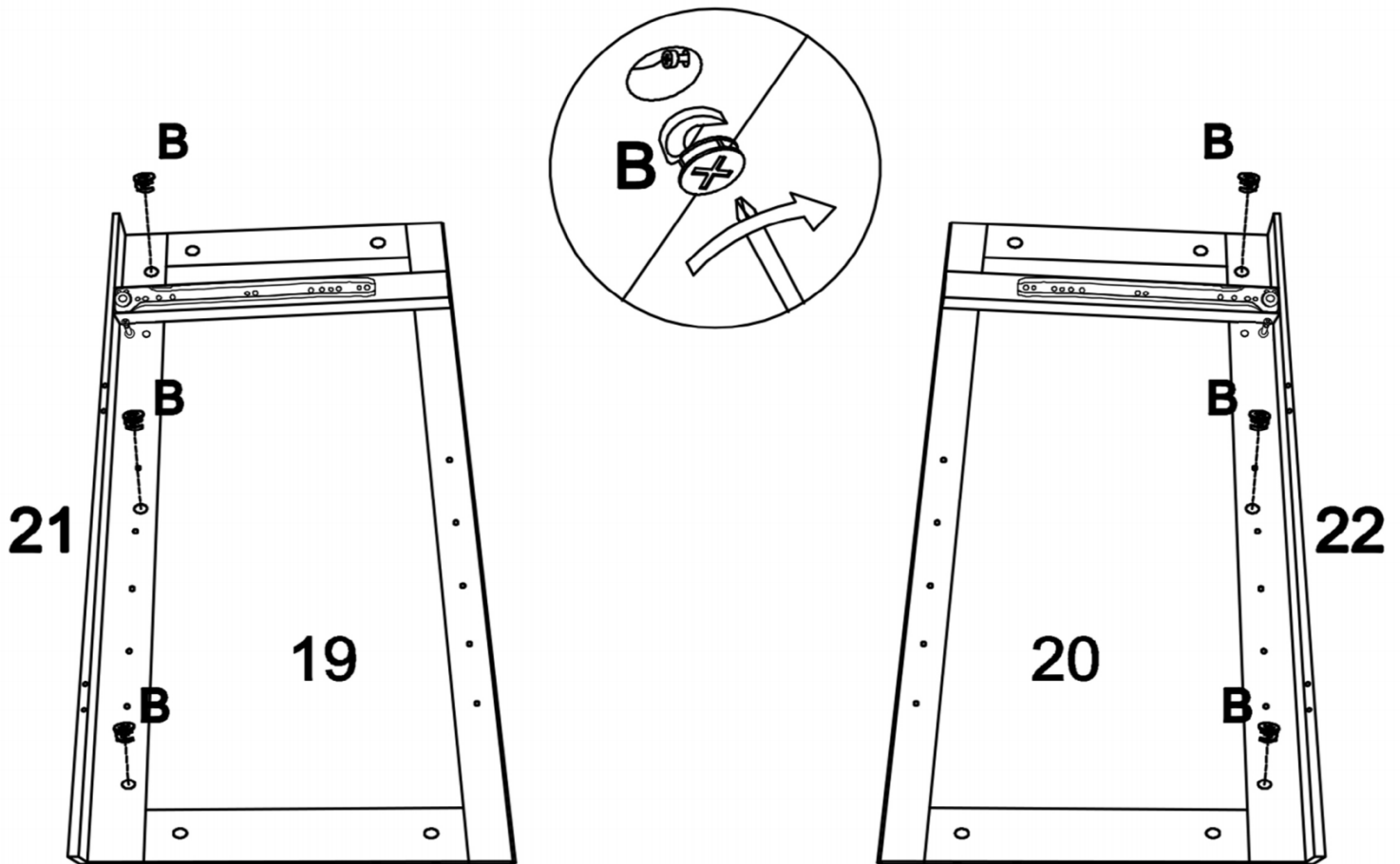
ASSEMBLY STEPS

New panels & accessories needed in below step



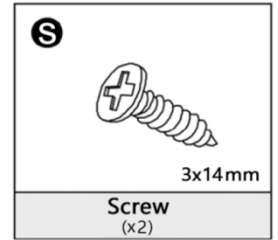
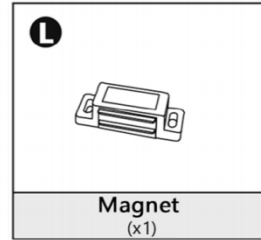
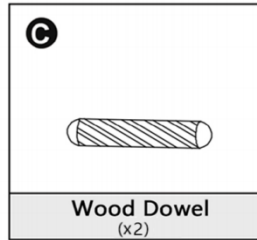
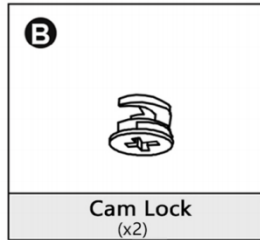
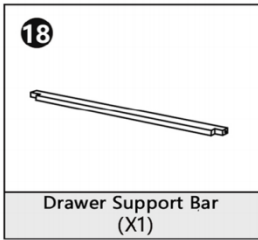
STEP 5

As the figure, insert Cam Lock B and use a screwdriver to turn clockwise to fix them



ASSEMBLY STEPS

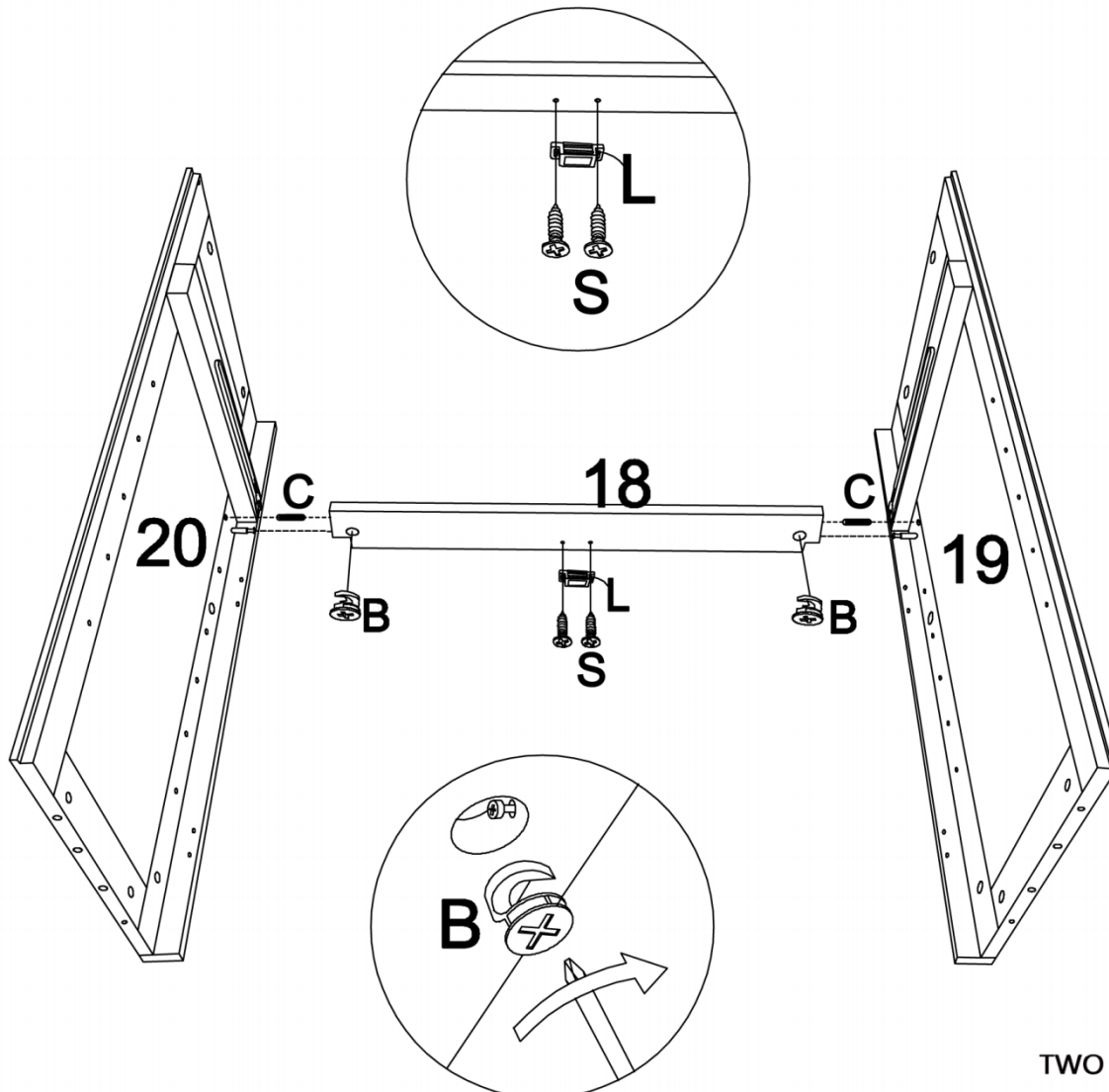
New panels & accessories needed in below step



STEP 6

First fix Magnet L to Panel 18 with Screw D, and then connect Panel 18&19&20 with the Cam Bolt A fixed on the Panel 19&20 in step 1. Finally, fix them with Cam Lock B. Note the positions of Panel 19&20

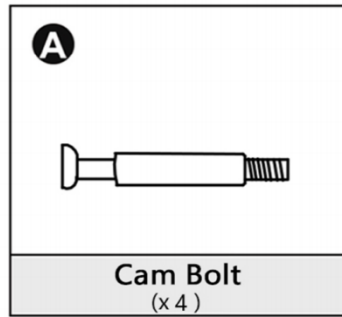
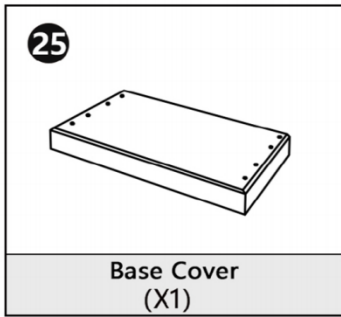
Tips: Fix one side first, then fix the other side



TWO PERSON REQUIRED

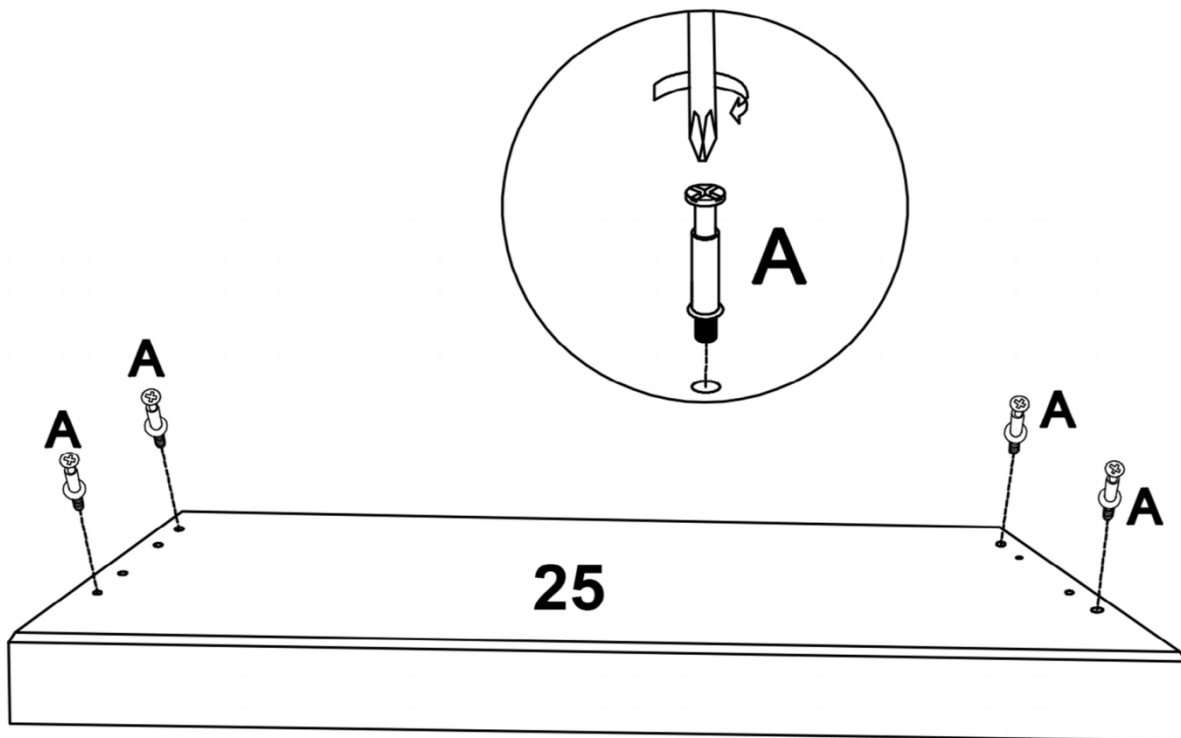
ASSEMBLY STEPS

New panels & accessories needed in below step



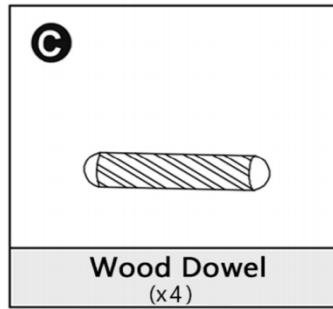
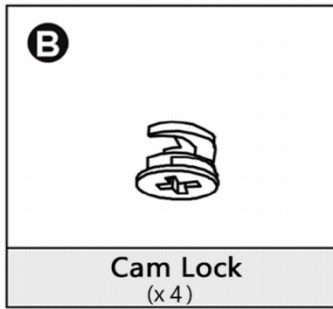
STEP 7

As the figure, fix Cam Bolt A to Base Cover 25



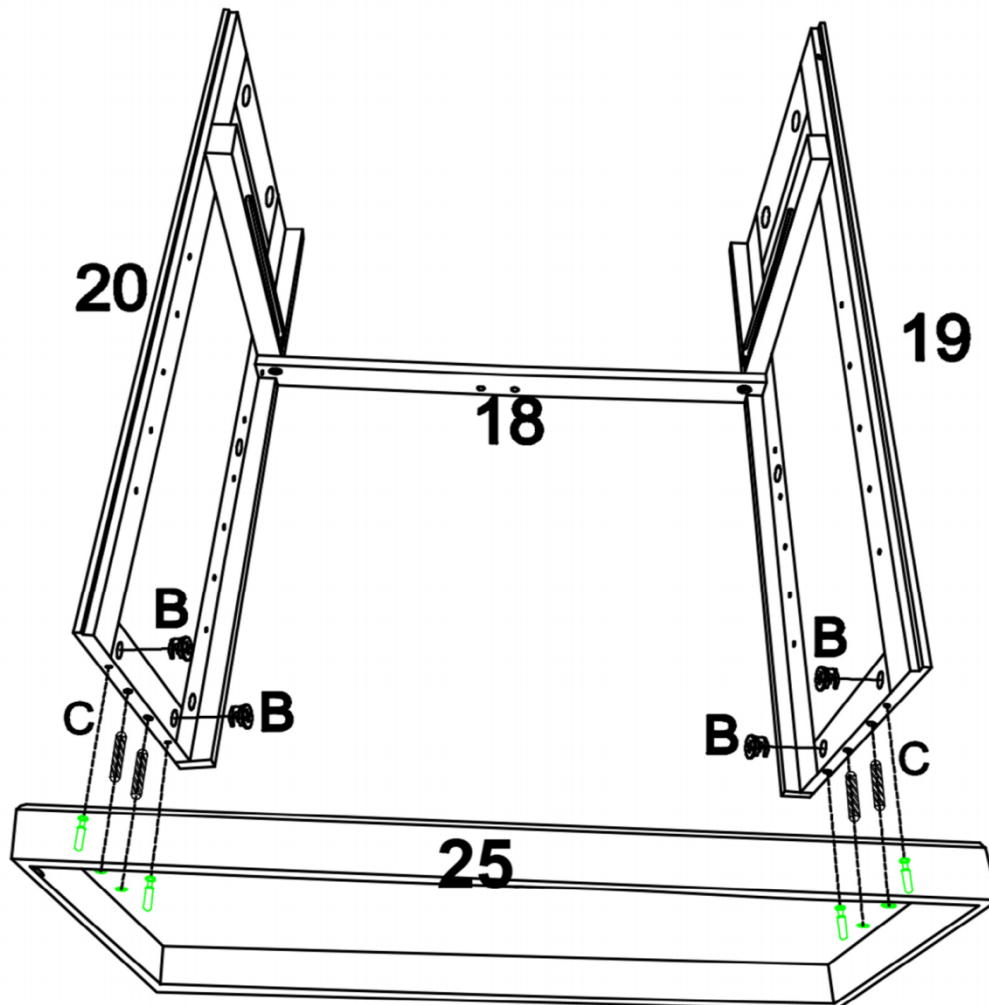
ASSEMBLY STEPS

New panels & accessories needed in below step



STEP 8

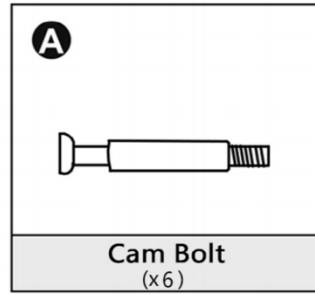
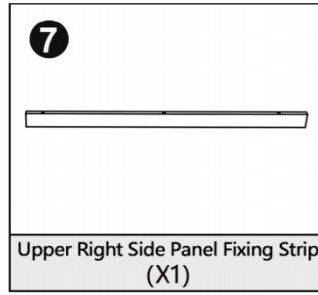
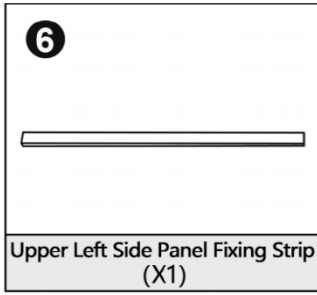
As the figure, connect Base Cover 25 and the part assembled in step 6 through Wood dowel C, and fix them with Cam Lock B. Note to put it down after aligning



TWO PERSON REQUIRED

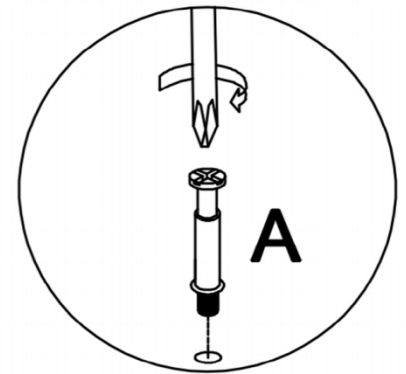
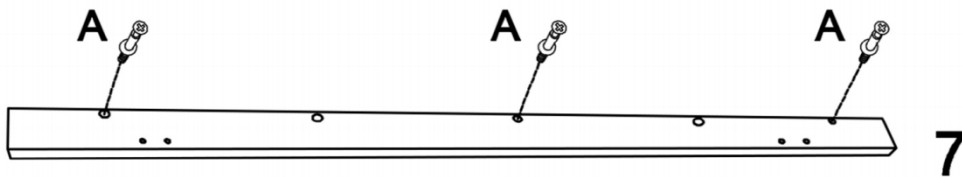
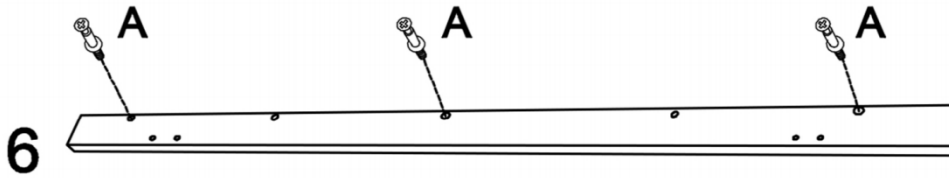
ASSEMBLY STEPS

New panels & accessories needed in below step



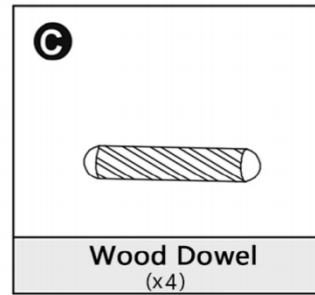
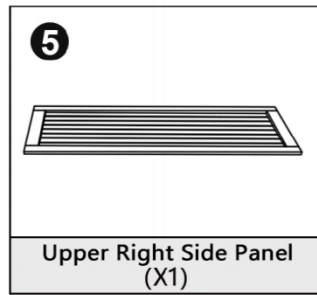
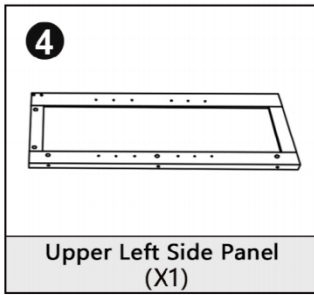
STEP 9

As the figure, fix Cam Bolt A to Panel 6&7



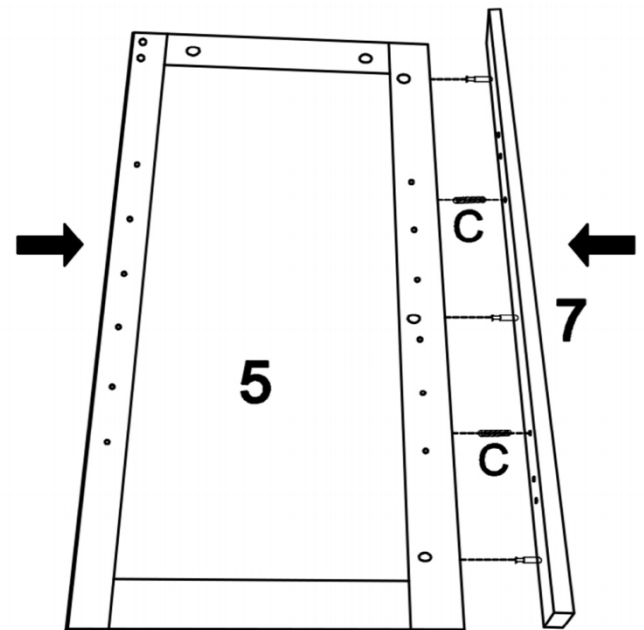
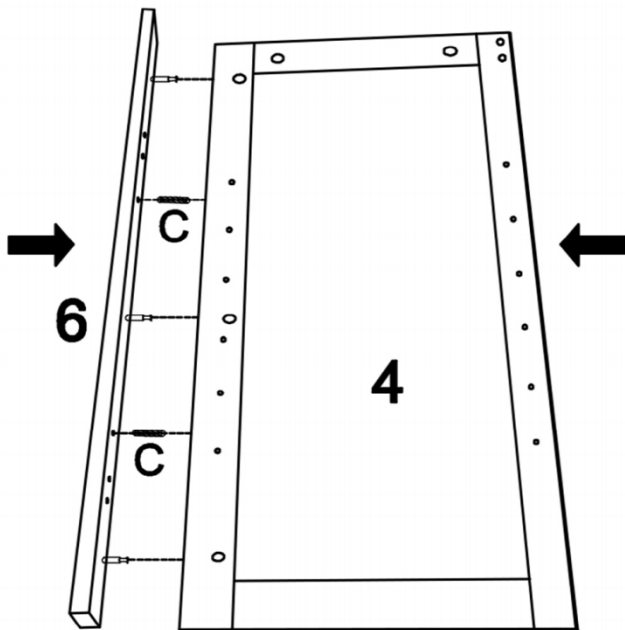
ASSEMBLY STEPS

New panels & accessories needed in below step



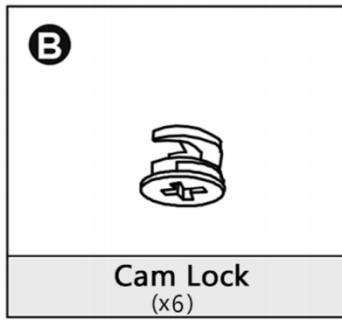
STEP 10

Fix Panel 6 and Panel 7 to Panel 4 and Panel 5 accordingly by Wood Dowel C.
Note to put the smooth side of Panel 6&7 outwards



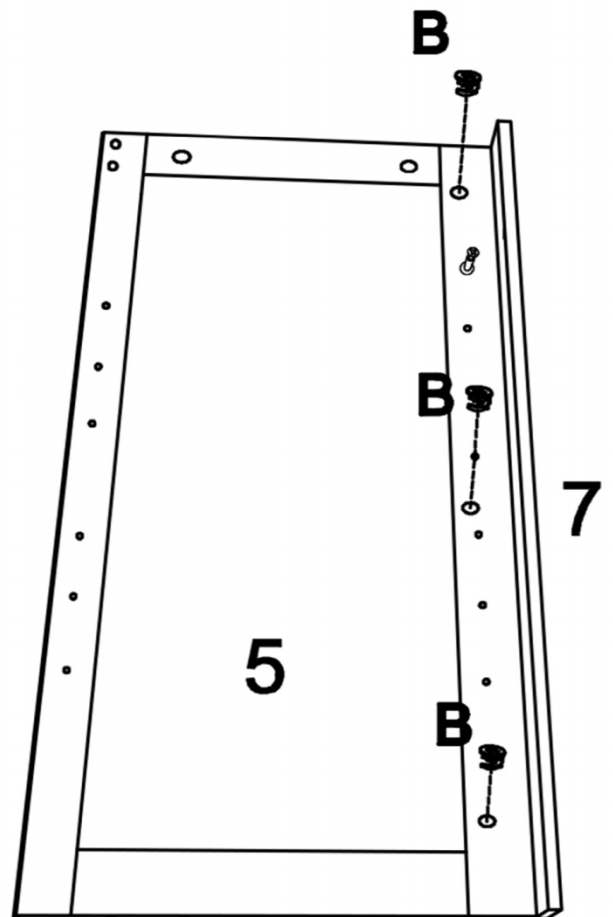
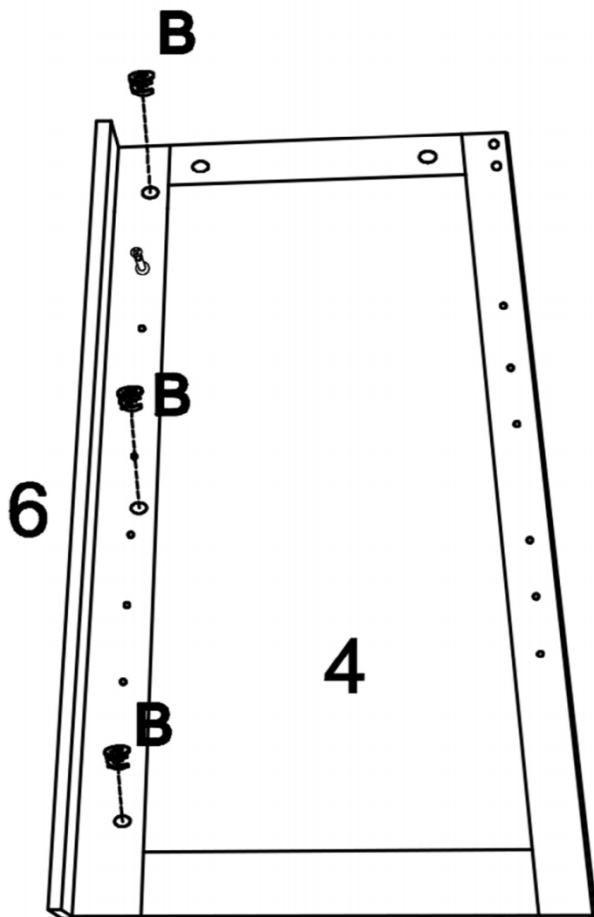
ASSEMBLY STEPS

New panels & accessories needed in below step



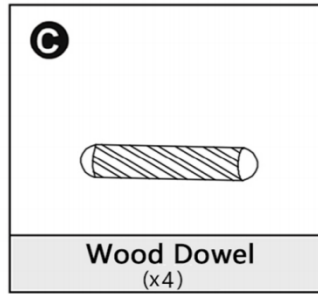
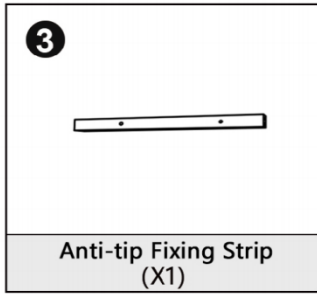
STEP 11

As the figure, insert Cam Lock B and use a screwdriver to turn clockwise to fix them



ASSEMBLY STEPS

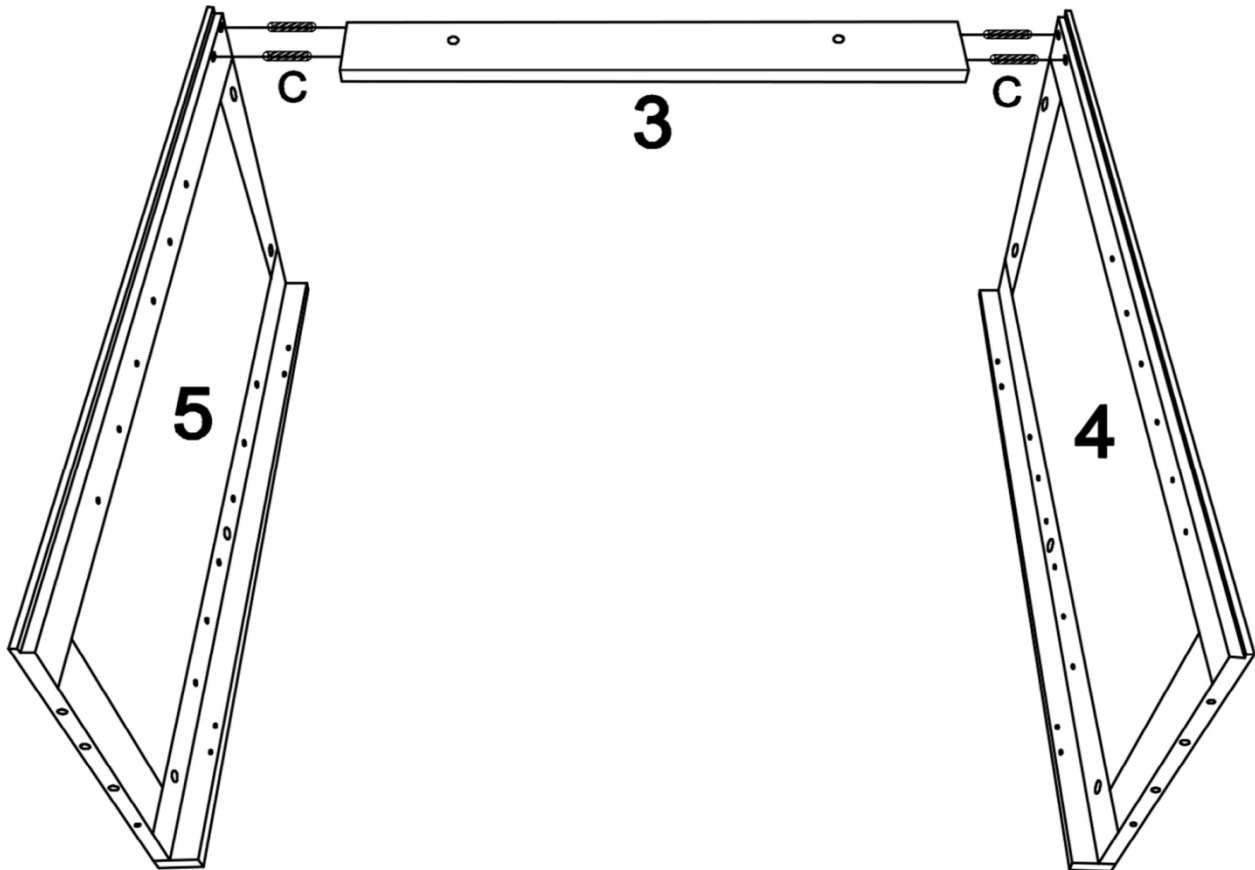
New panels & accessories needed in below step



STEP 12

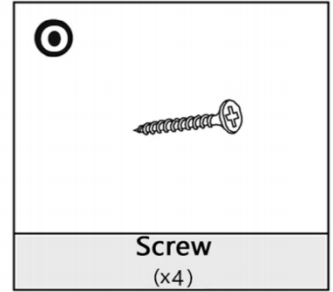
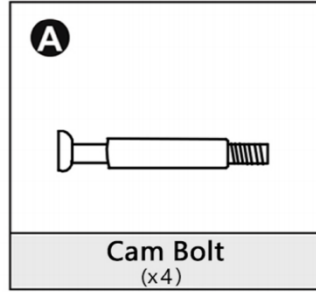
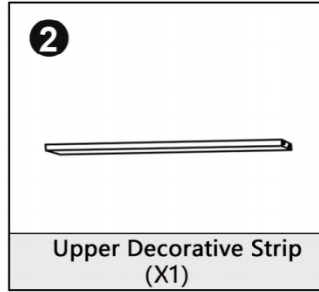
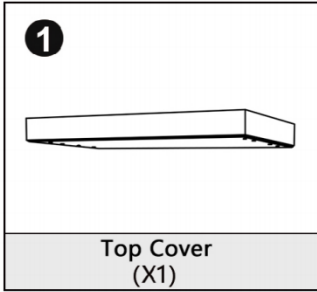
Connect Panel 3 with Panel 4&5 through Wood Dowel C. Note the positions of Panel 4&5

Tips: Fix one side first, then fix the other side



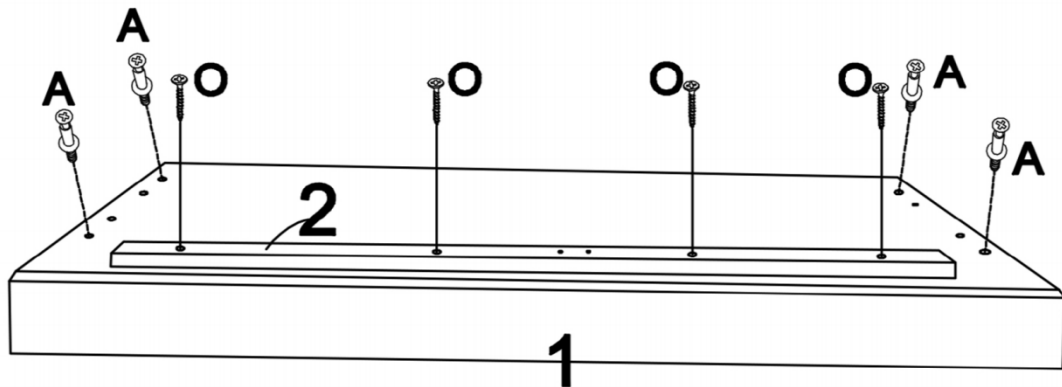
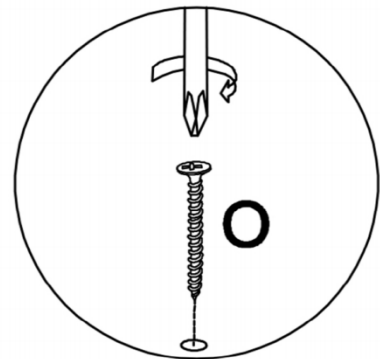
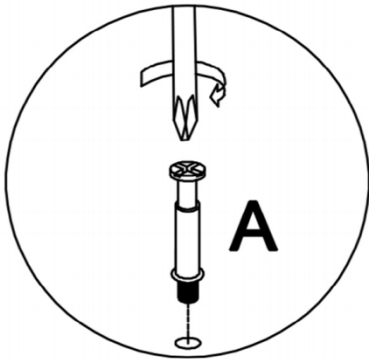
ASSEMBLY STEPS

New panels & accessories needed in below step



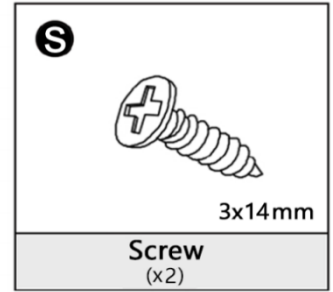
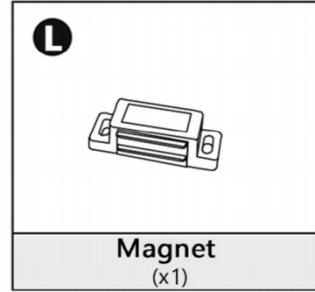
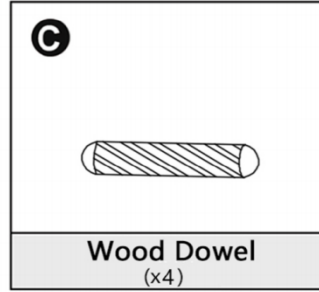
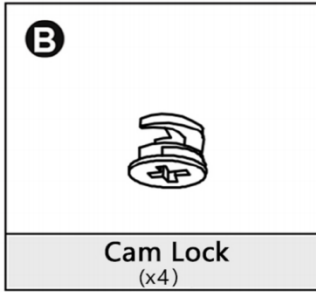
STEP 13

As the figure, first, fix the Cam Bolt A to Top Cover 1; then fix Panel 2 to Top Cover 1 with Screw O



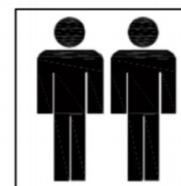
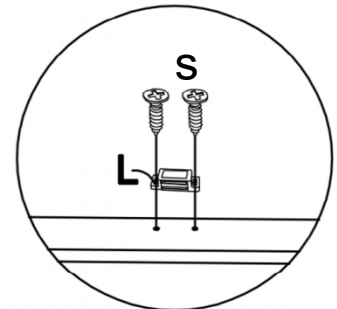
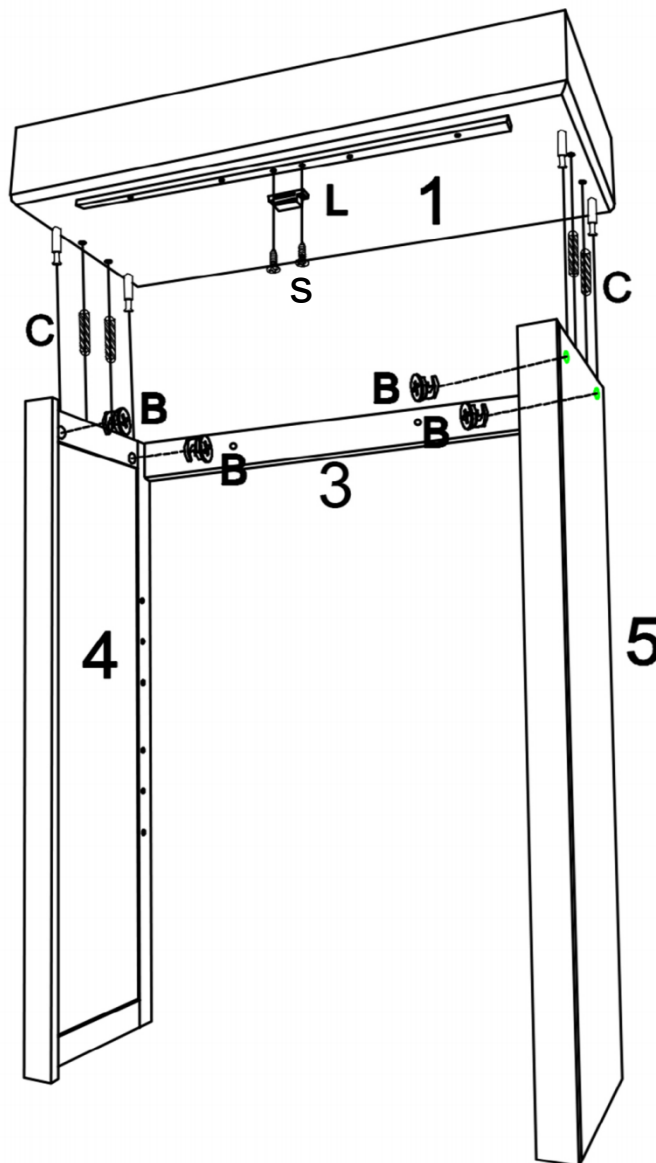
ASSEMBLY STEPS

New panels & accessories needed in below step



STEP 14

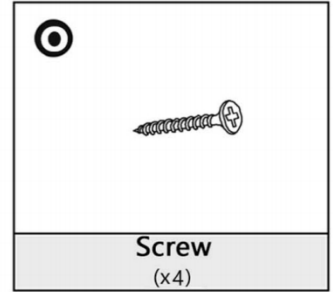
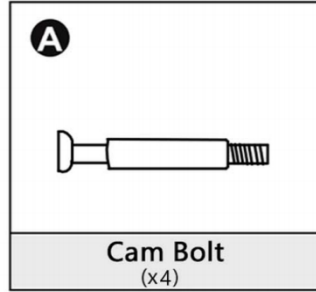
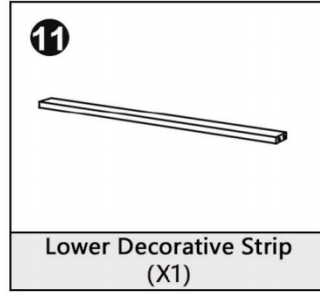
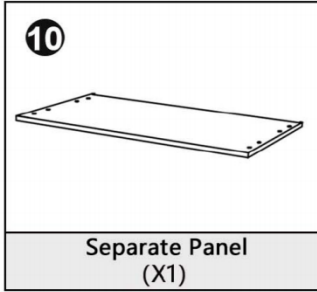
As the figure, first, fix the magnet L to Panel 2 with Screw D; then, connect Top Cover 1 and the part assembled in step 12 with Wood dowel C, and fix them with Cam Lock B
Tips: put it down after aligning



TWO PERSON REQUIRED

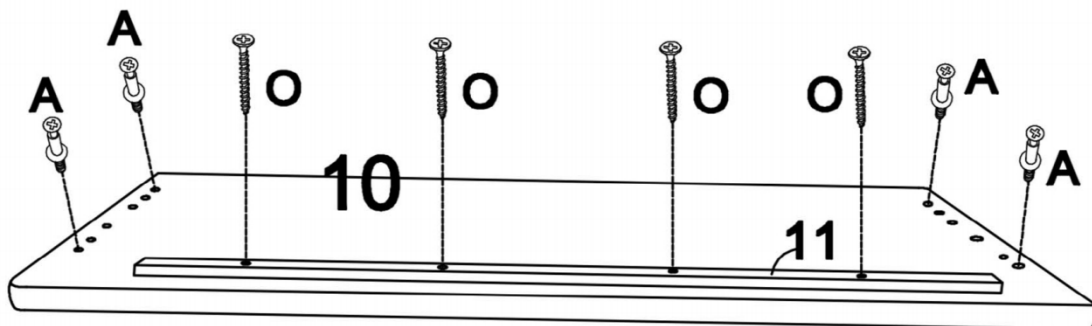
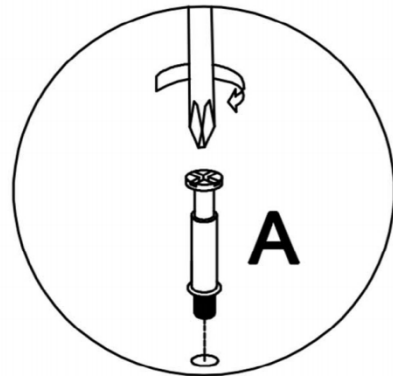
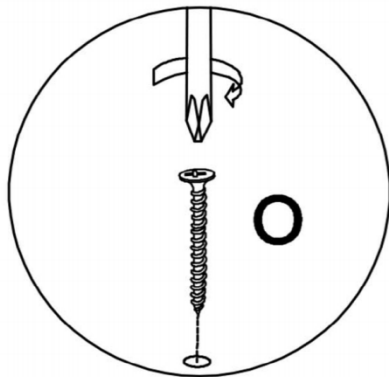
ASSEMBLY STEPS

New panels & accessories needed in below step



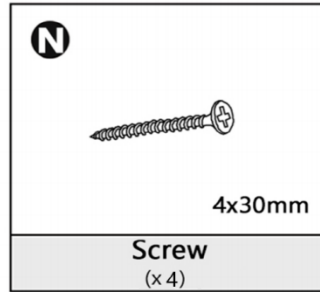
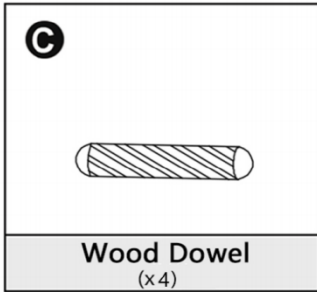
STEP 15

As the figure, fix the Cam Bolt A to Panel 10, then fix Panel 11 to Panel 10 with Screw O



ASSEMBLY STEPS

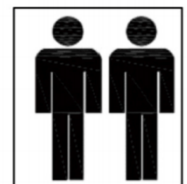
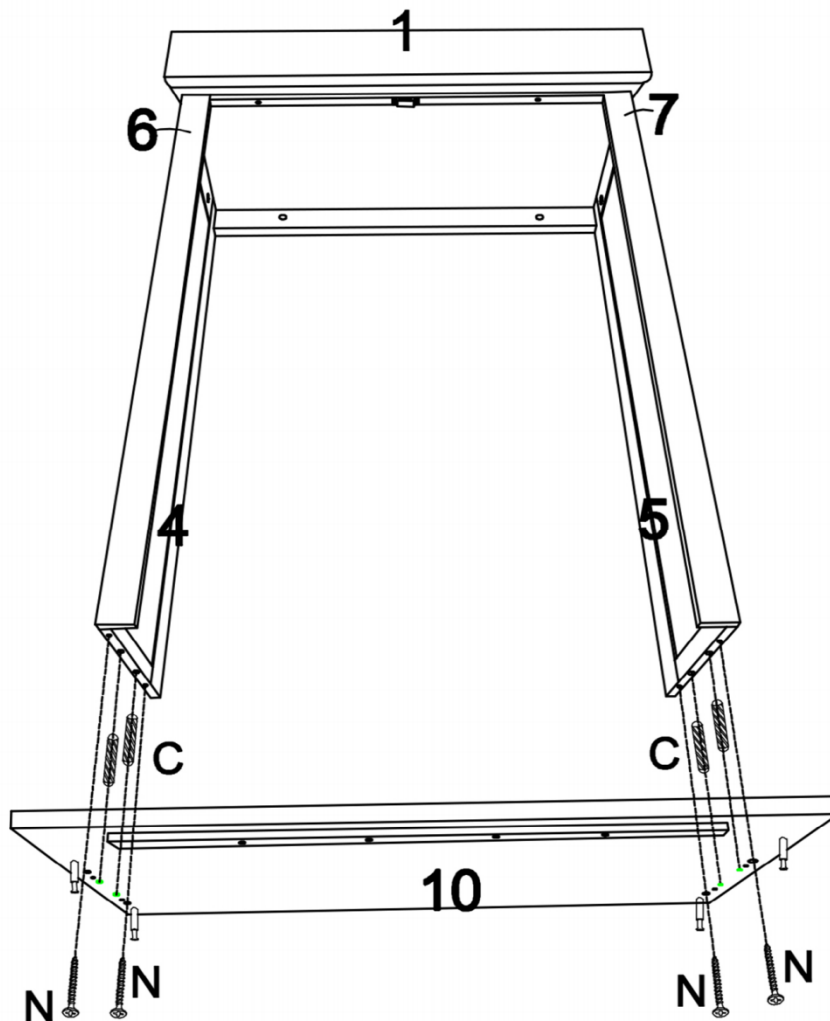
New panels & accessories needed in below step



STEP 16

As the figure, connect Panel 10 and the part assembled in step 14 through Wood dowel C, and fix them with Screw N. Note the direction of Panel 10

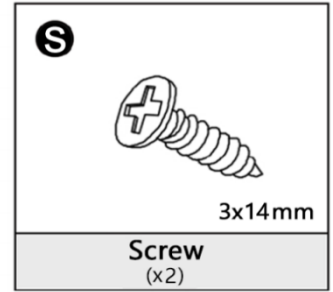
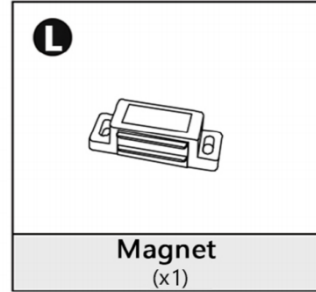
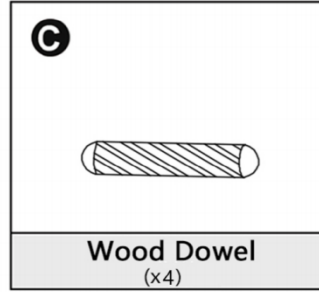
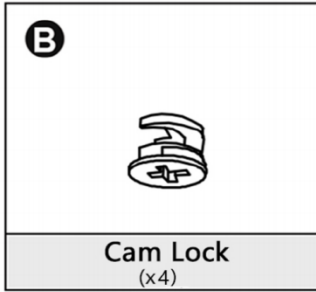
Tips: put it down after aligning



TWO PERSON REQUIRED

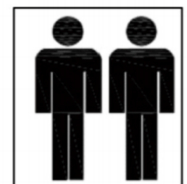
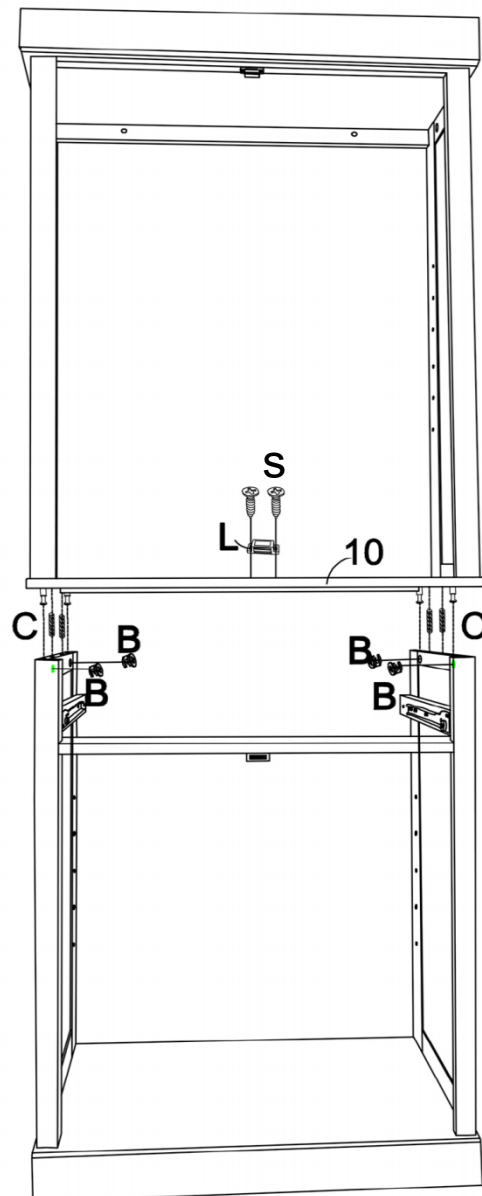
ASSEMBLY STEPS

New panels & accessories needed in below step



STEP 17

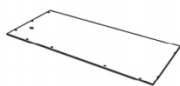

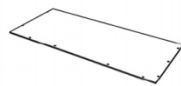



Fix the Magnet L to Panel 10 with Screw D, then connect the part assembled in step 16 and the part assembled in step 8 with Wood Dowel C and fix them with Cam Lock B
Tips: put it down after aligning



TWO PERSON REQUIRED

ASSEMBLY STEPS

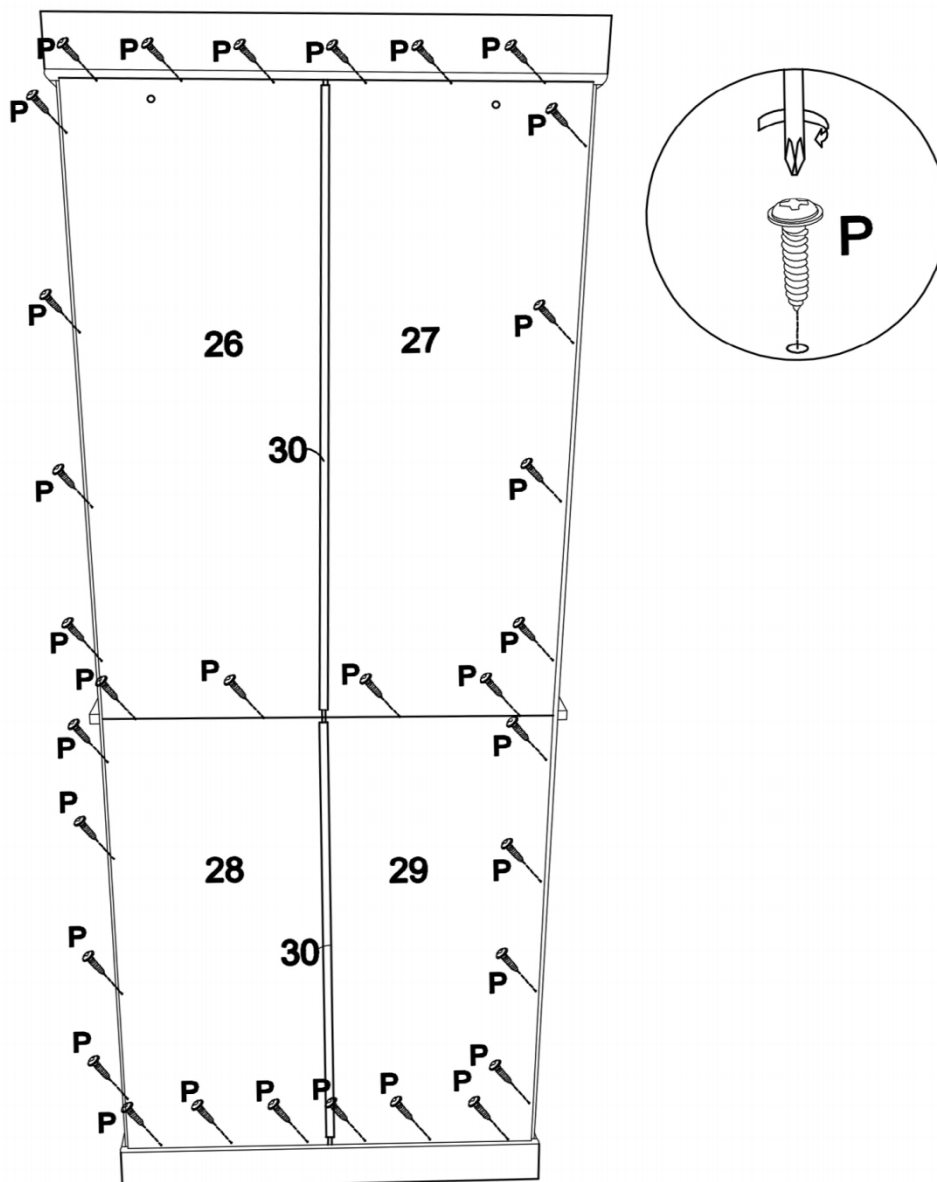
New panels & accessories needed in below step

26 	27 	28 	29 	30 	P  2x10mm Screw (x32)
--	--	--	---	--	---

STEP 18

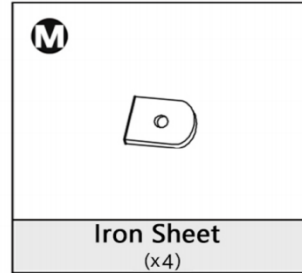
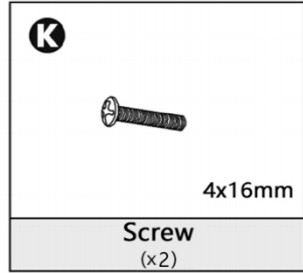
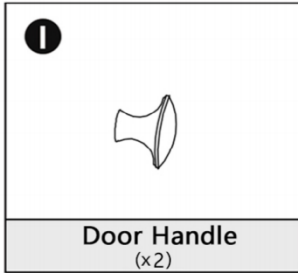
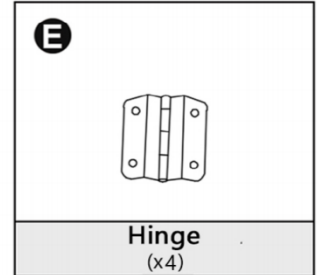
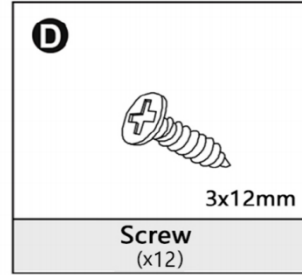
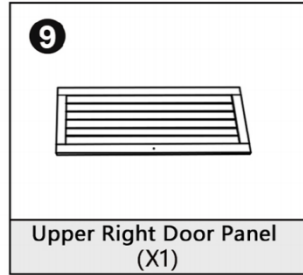
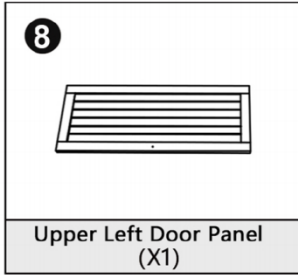
Fix Back Panel 26&27&28&29 to the cabinet with Screw P, wherein the left and right Back Panels are connected by Back Panel Connecting Strip 30.

Tips: Lie down the cabinet face down, level the cabinet, align the screw holes and fix them with a small screwdriver



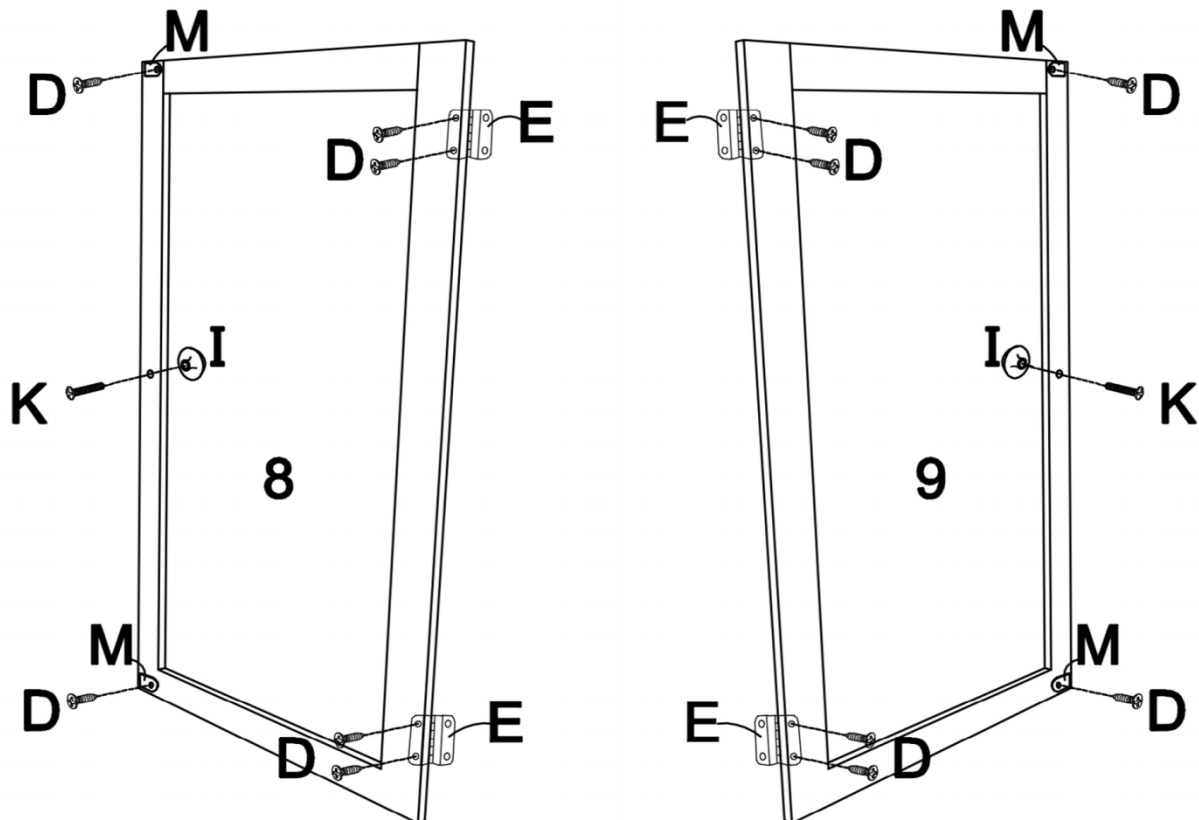
ASSEMBLY STEPS

New panels & accessories needed in below step



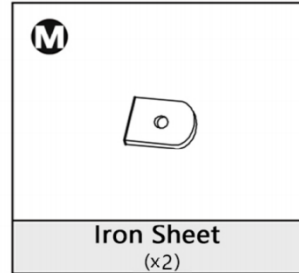
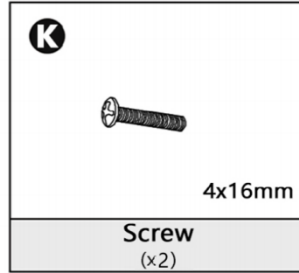
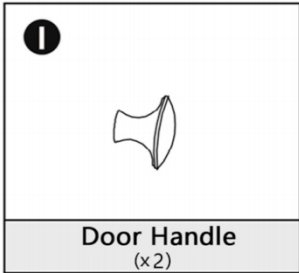
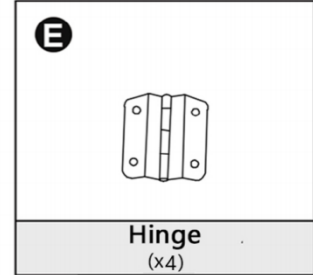
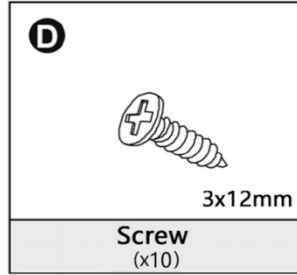
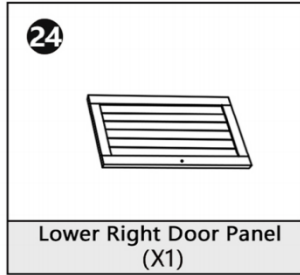
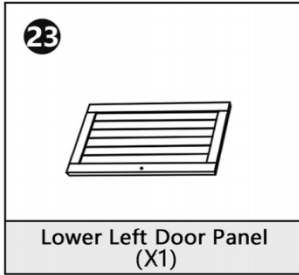
STEP 19

As the figure, fix Iron Sheet M, Hinge E, and Handle K to Panel 8&9 in turn with the corresponding fasteners



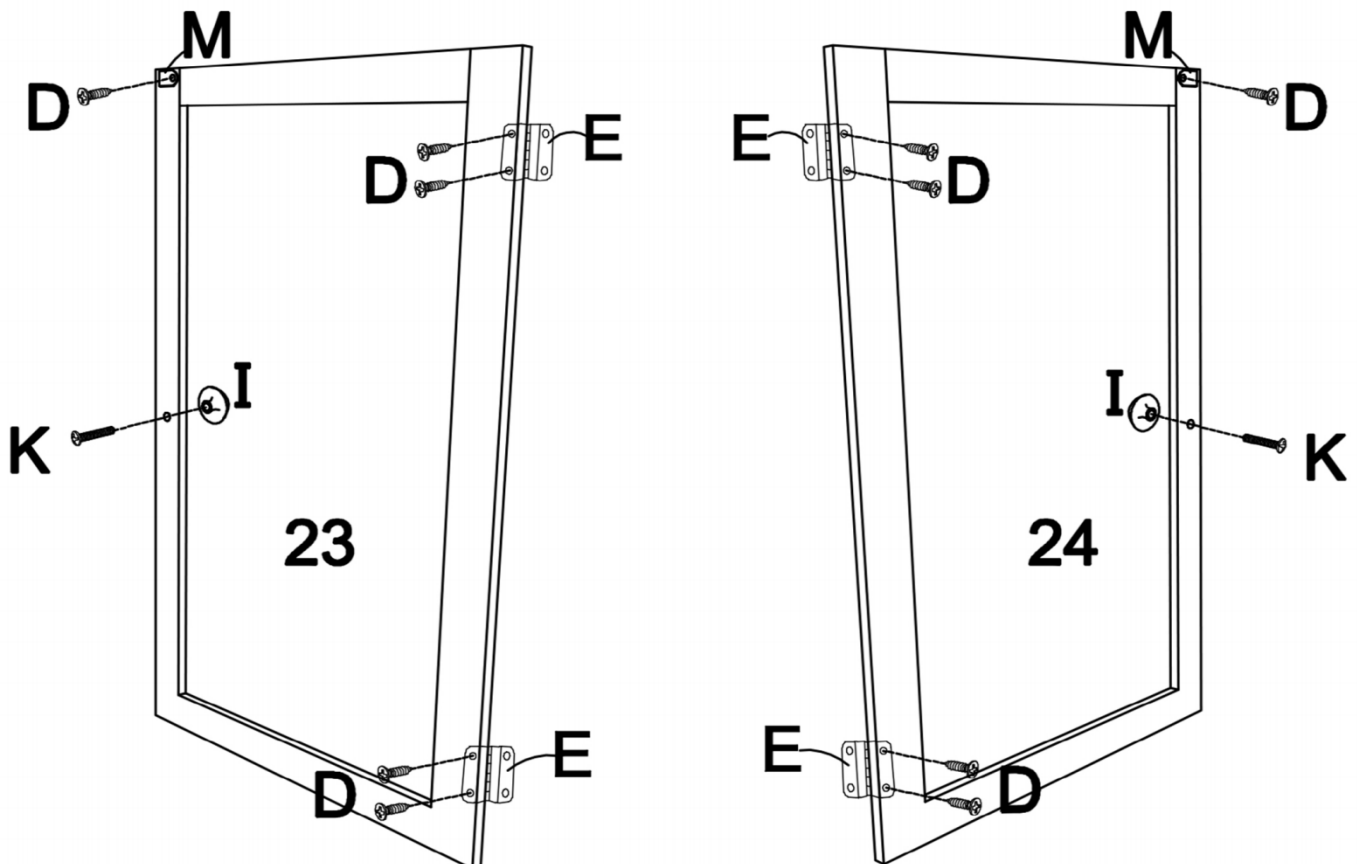
ASSEMBLY STEPS

New panels & accessories needed in below step



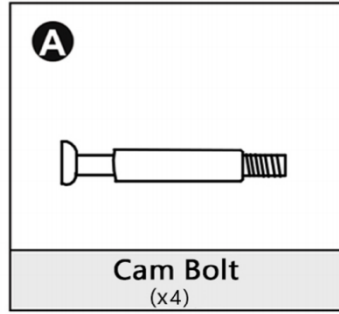
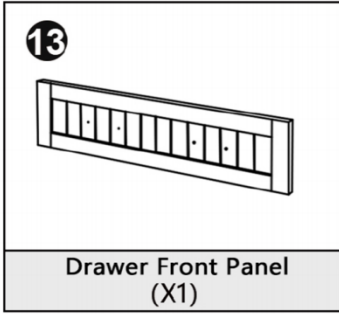
STEP 20

Proceed this step 20 like step 19



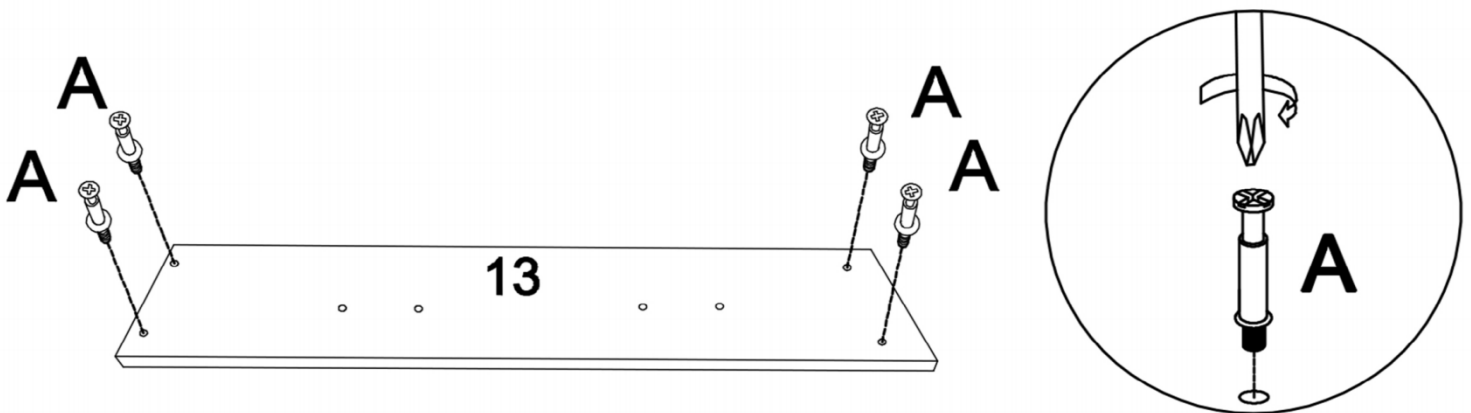
ASSEMBLY STEPS

New panels & accessories needed in below step



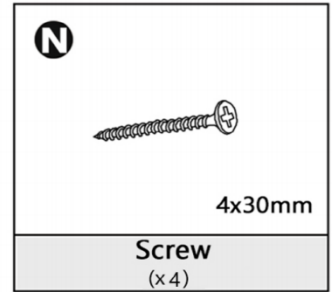
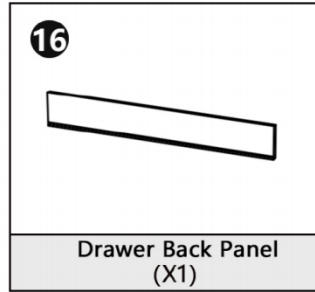
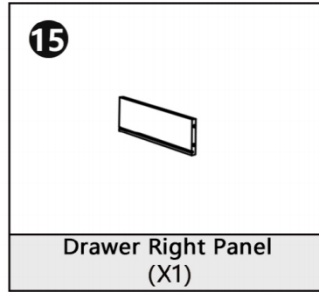
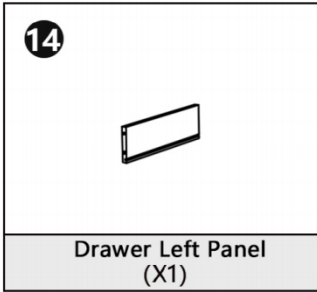
STEP 21

As the figure, fix Cam Bolt A to Panel 13



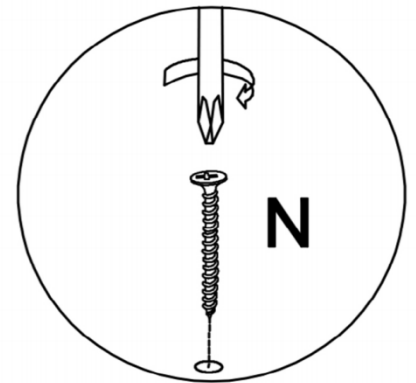
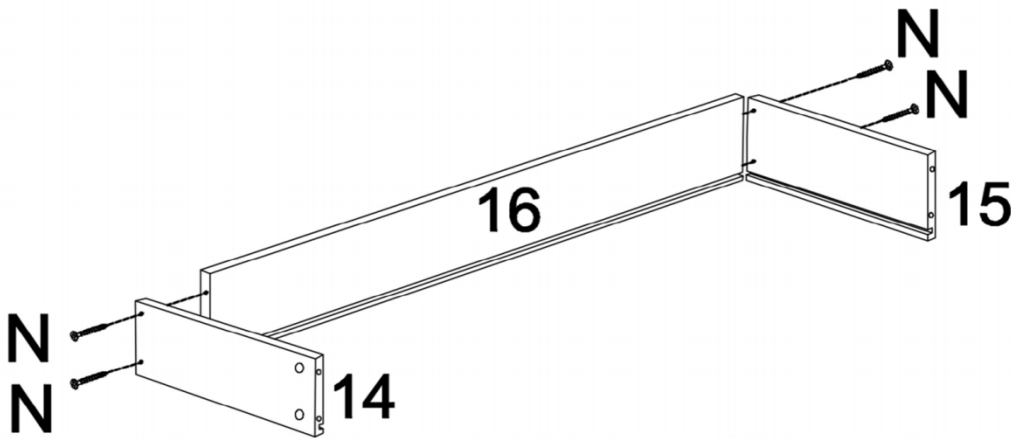
ASSEMBLY STEPS

New panels & accessories needed in below step



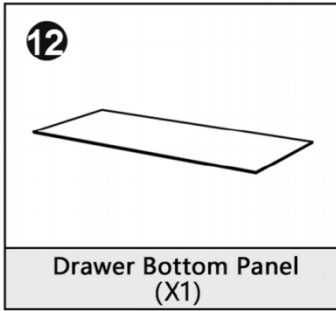
STEP 22

Connect Panel 16 to Panel 14&15 by Screw N



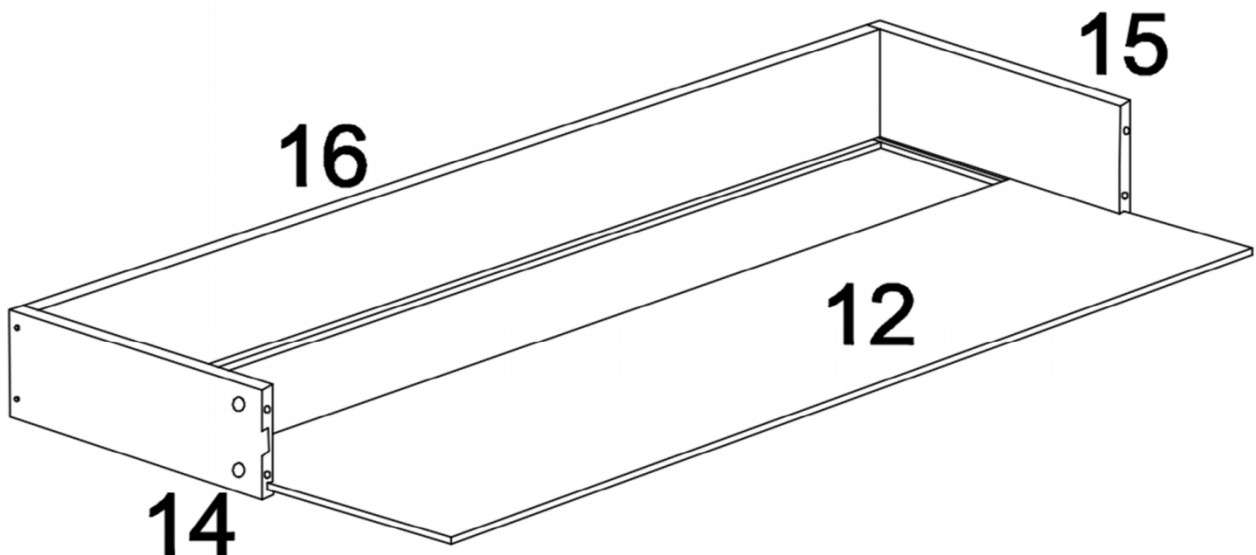
ASSEMBLY STEPS

New panels & accessories needed in below step



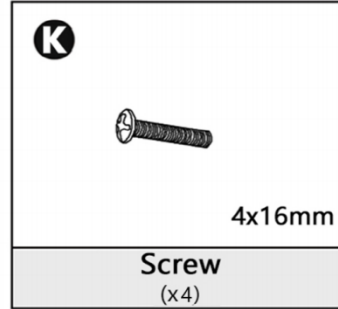
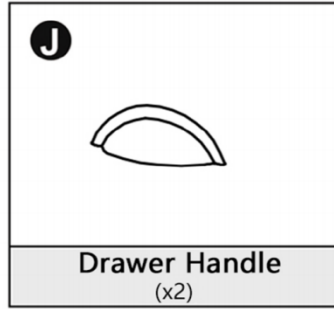
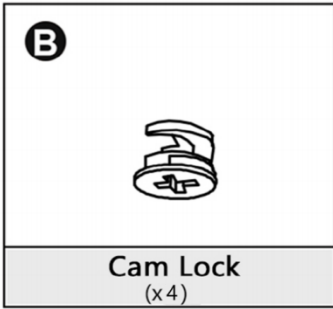
STEP 23

Insert Panel 12 into the slots of the part assembled in step 22



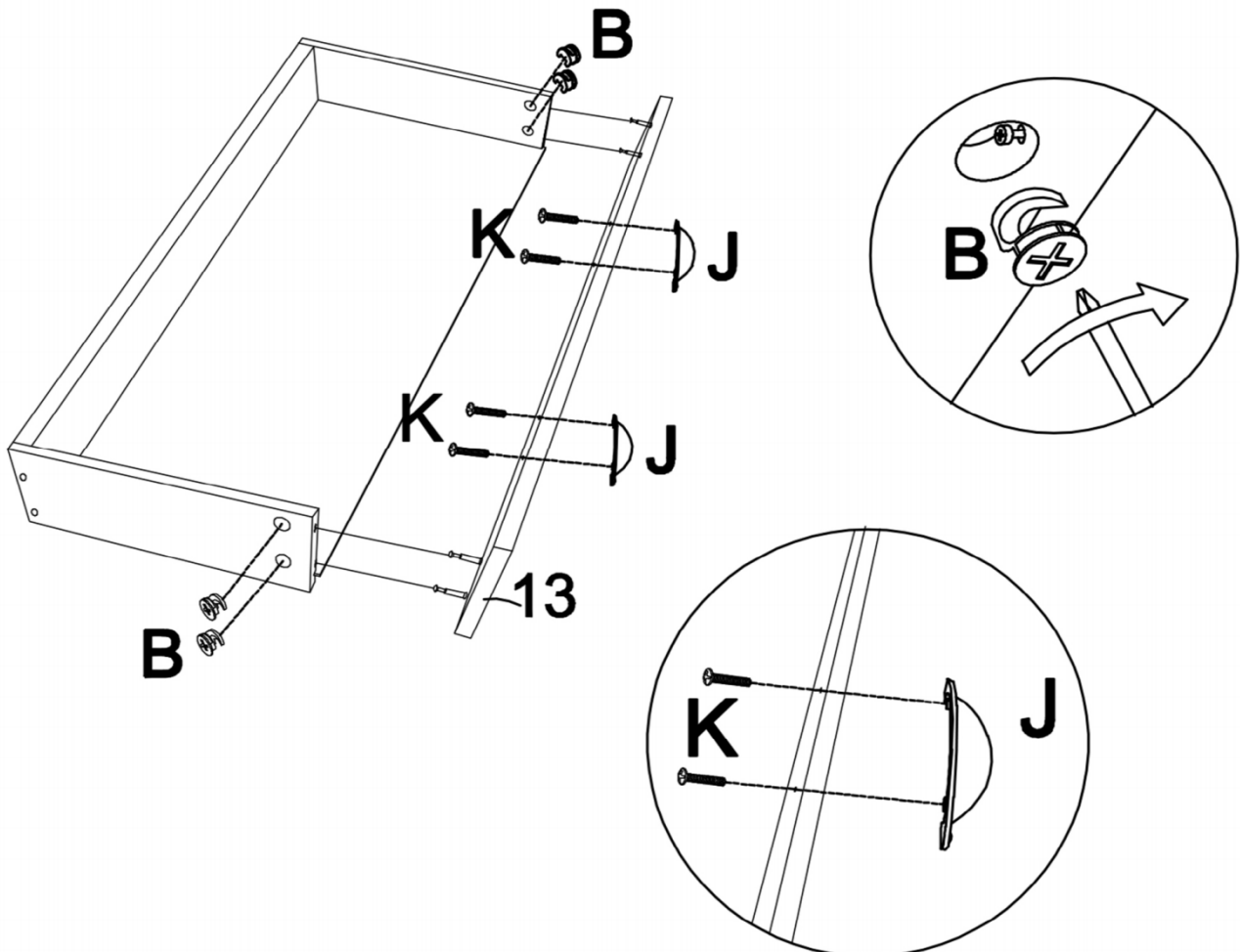
ASSEMBLY STEPS

New panels & accessories needed in below step



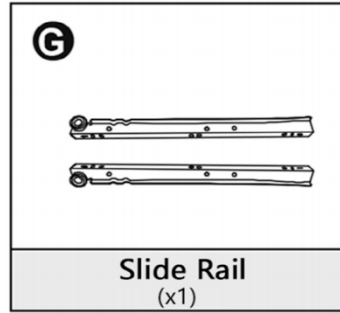
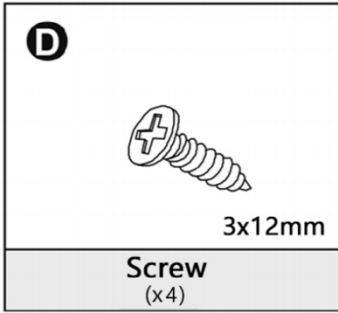
STEP 24

Connect Panel 13 with the part assembled in the step 23 and lock them with Cam Lock B. Then, fix Handle J with Screw K



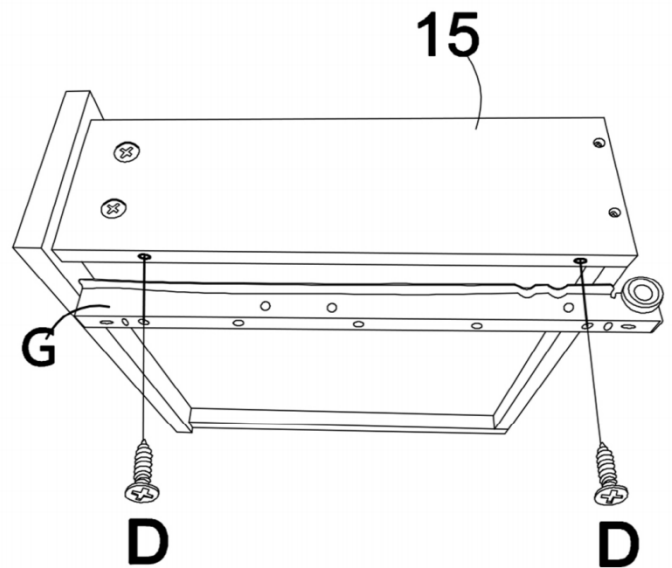
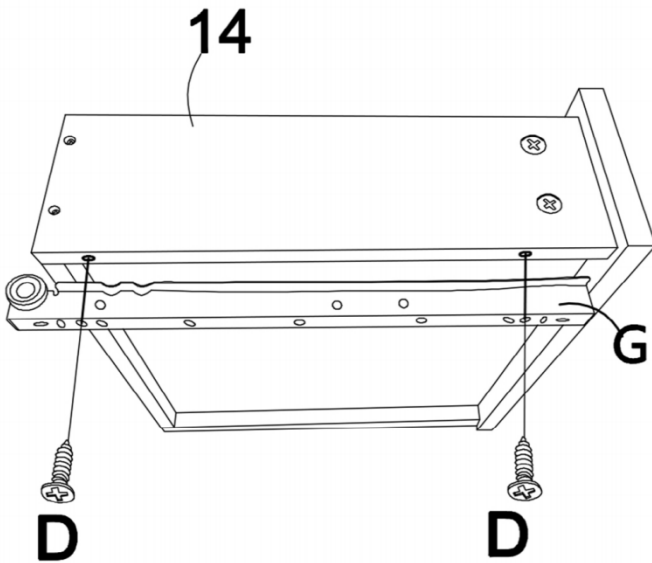
ASSEMBLY STEPS

New panels & accessories needed in below step



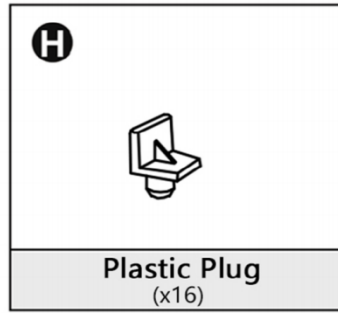
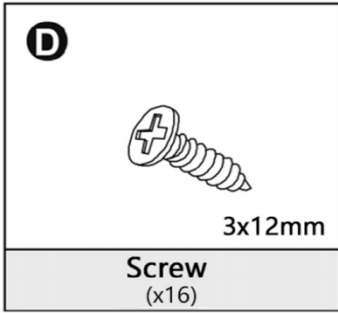
STEP 25

As the figure, connect Slide Rail G to the drawer side panel 14&15 with Screw D.
Note the direction of the slide rail!



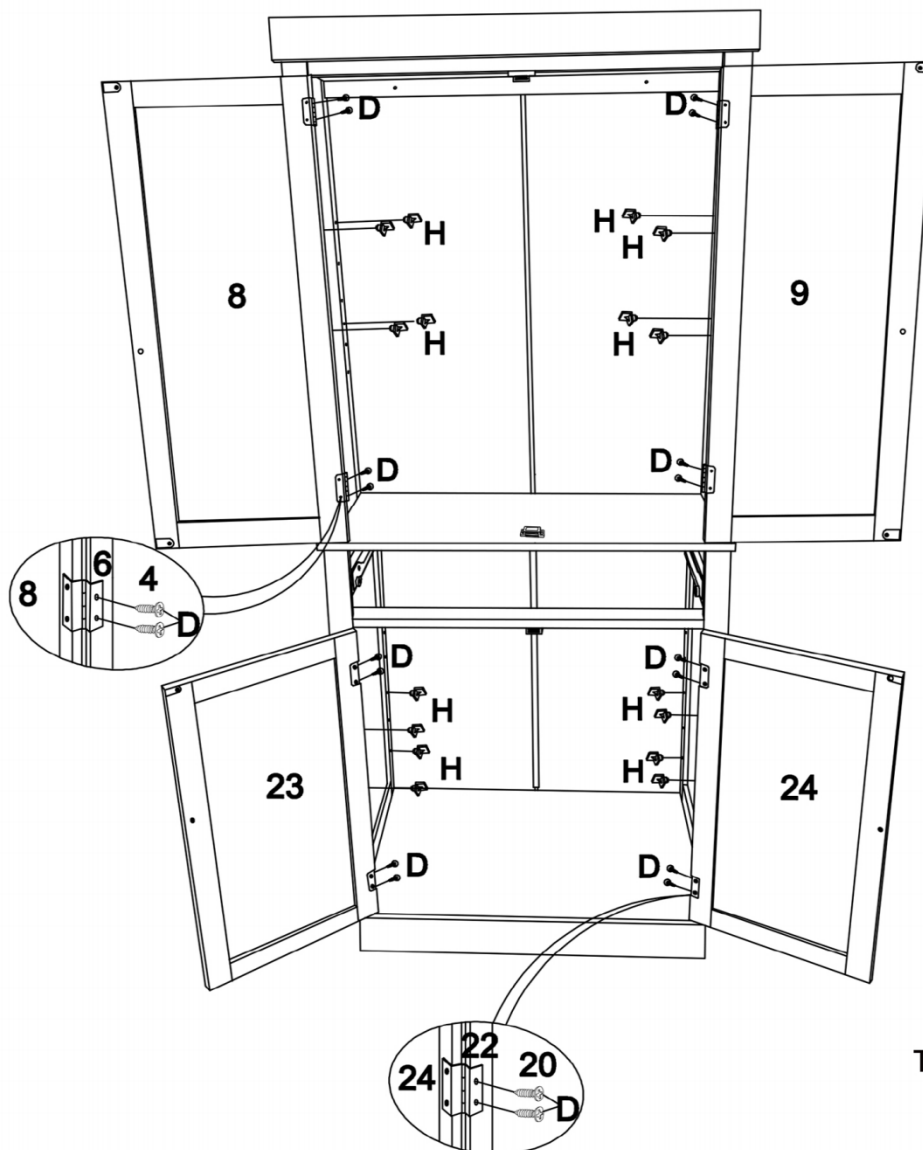
ASSEMBLY STEPS

New panels & accessories needed in below step



STEP 26

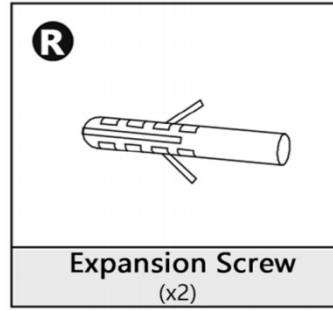
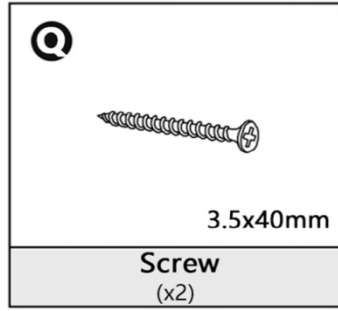
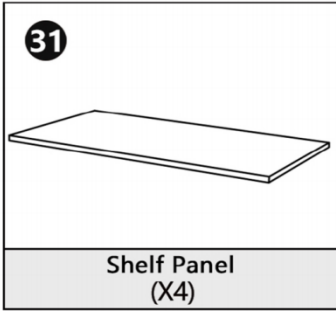
Fix the Panel 8&9&23&24 pre-assembled in step 19 to the cabinet one by one with Screw D; then place Plastic Plug H on the holes accordingly



TWO PERSON REQUIRED

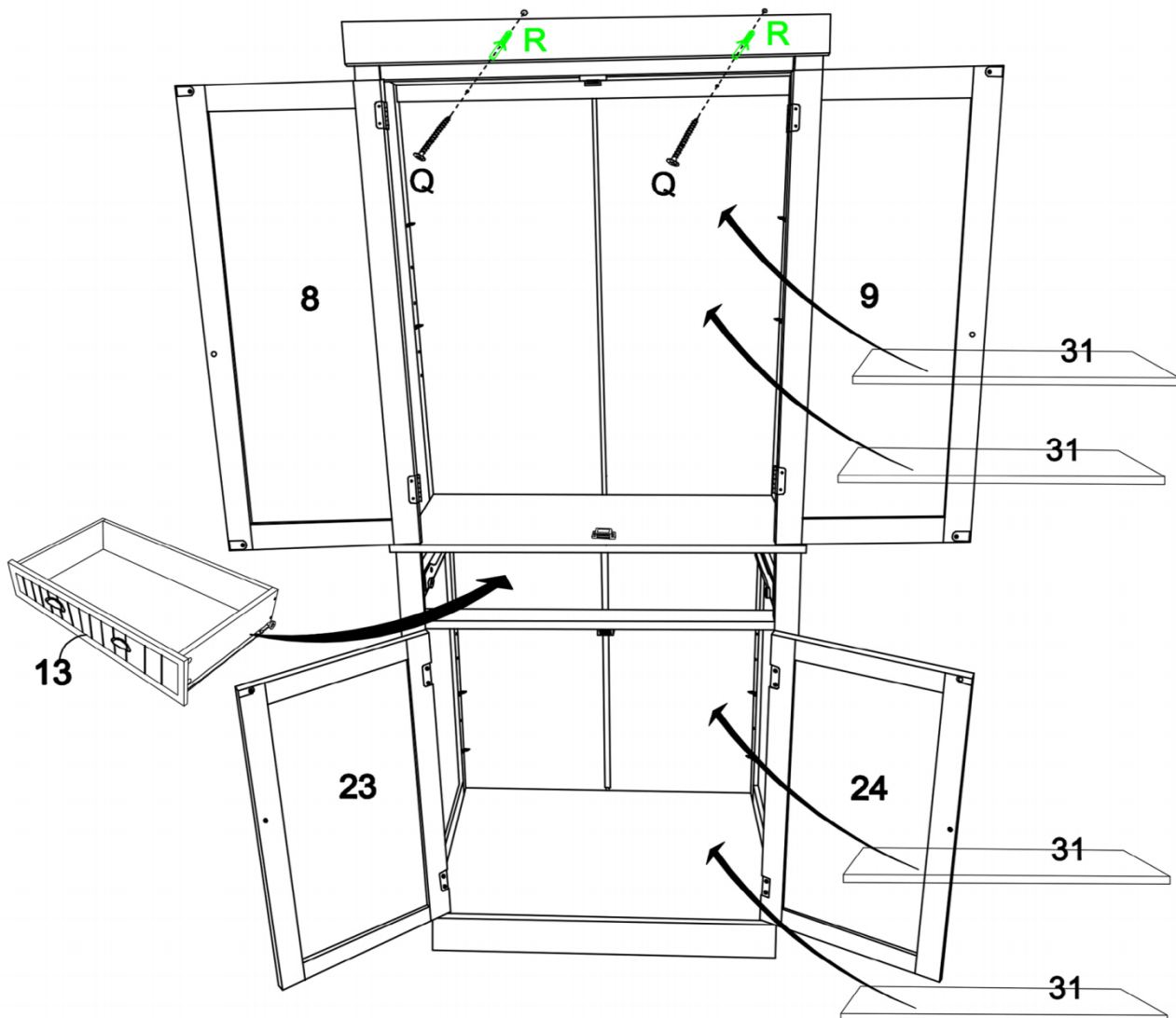
ASSEMBLY STEPS

New panels & accessories needed in below step



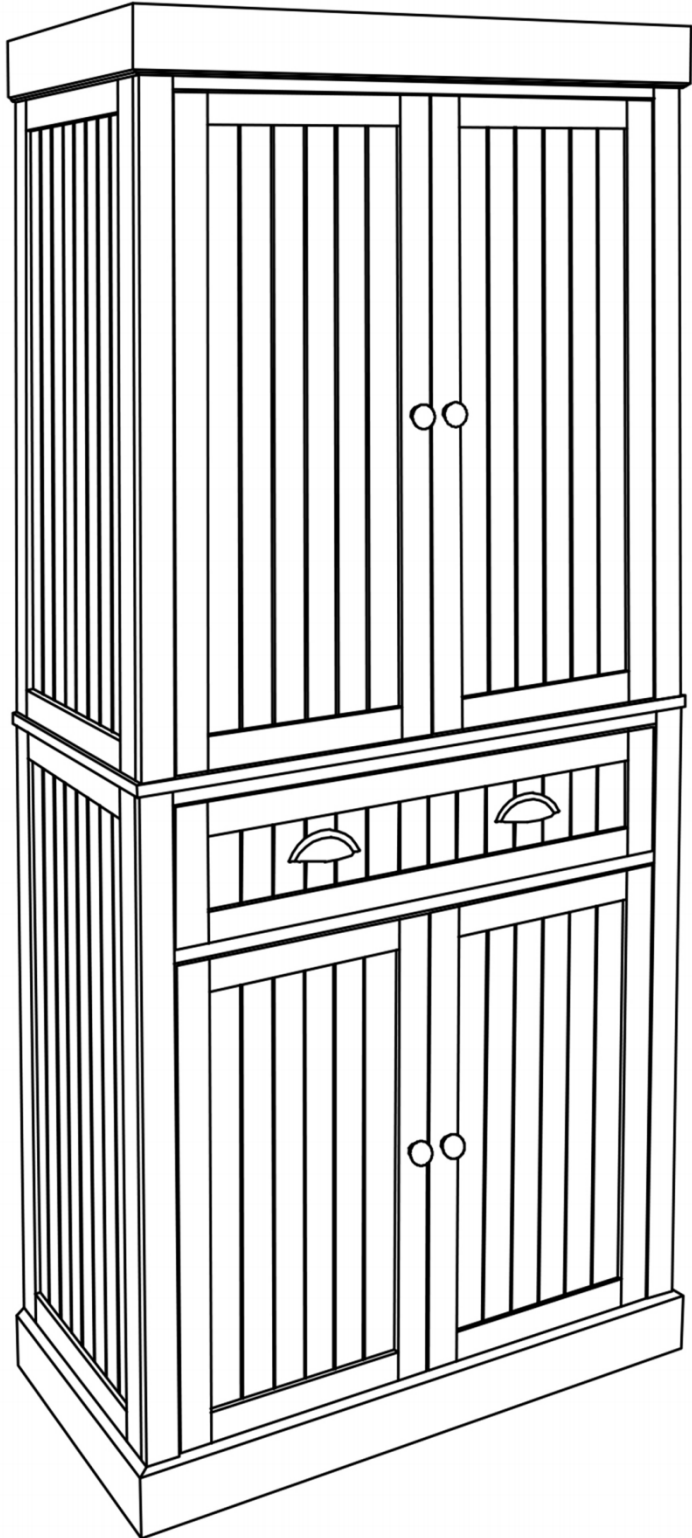
STEP 27

Put Panel 31 and assembled drawer into the cabinet; And fix the cabinet to the wall to prevent the cabinet from falling with Expansion Screw R and Screw Q



MAXIMUM LOADS

This unit has been designed to support the maximum loads shown. Exceeding these load limits could cause sagging instability, collapse, and serious injury.



ENJOY YOUR CABINET!

Full Load-Bearing:

4 adjustable shelves

33 LBS for each shelf

22 LBS for the big drawer

1. What should I do when there are accessories or hardware missing?

Pls feel free to contact VINGLI customer service via www.vingli.com with your order ID, the quantity, and corresponding listing number of missing part. We will send out for you as soon as possible.

2. What should I do when I received a damaged item?

Pls feel free to contact VINGLI customer service via www.vingli.com with your order ID, picture of defective part to us, and we will solve for you at once.

3. What should I do when pantry cabinet wobbly ?

- a. make sure each panel has been connect to each other properly, and all screws have been tighten after assemble
- b. find out that wobbly part, and if it is the screw cannot tight, you can try to add on a washer to help
- c. if still not work, pls feel free to contact our customer team with the wobbly part detail, and we will solve for you

Supplementary Instructions for Safe Use

⚠ WARNING



Children have died from furniture tipover. To reduce the risk of furniture tipover:

- ALWAYS install tipover restraint provided.
- NEVER put a TV on this product.
- NEVER allow children to stand, climb or hang on drawers, doors, or shelves.
- NEVER open more than one drawer at a time.
- Place heaviest items in the lowest drawers.
- Do not defeat or remove the drawer interlock system.

This is a permanent label.
Do not remove!

⚠ ATTENTION



Des enfants sont morts du basculement des meubles. Pour réduire le risque de basculement des meubles:

- TOUJOURS installer la retenue de basculement fournie.
- NE JAMAIS mettre de téléviseur sur ce produit.
- NE JAMAIS permettre aux enfants de se tenir debout, de grimper ou de s'accrocher à des tiroirs, des portes ou des étagères.
- N'ouvrez JAMAIS plus d'un tiroir à la fois.
- Placez les objets les plus lourds dans les tiroirs les plus bas.
- Ne désactivez pas et ne retirez pas le système de verrouillage du tiroir.

Ceci est une étiquette permanente.
Ne pas enlever!

⚠ WARNUNG



Kinder sind an einem Möbelkippen gestorben. So verringern Sie das Risiko eines Umkippens von Möbeln:

- Installieren Sie IMMER die mitgelieferte Kipprückhaltevorrichtung.
- Stellen Sie NIEMALS einen Fernseher an dieses Produkt.
- Lassen Sie Kinder NIEMALS an Schubladen, Türen oder Regalen stehen klettern oder hängen.
- Öffnen Sie NIEMALS mehr als eine Schublade gleichzeitig.
- Legen Sie schwerste Gegenstände in die untersten Schubladen.
- Besiegen oder entfernen Sie das Schubladenverriegelungssystem nicht.

Dies ist ein dauerhaftes Etikett.
Nicht entfernen!