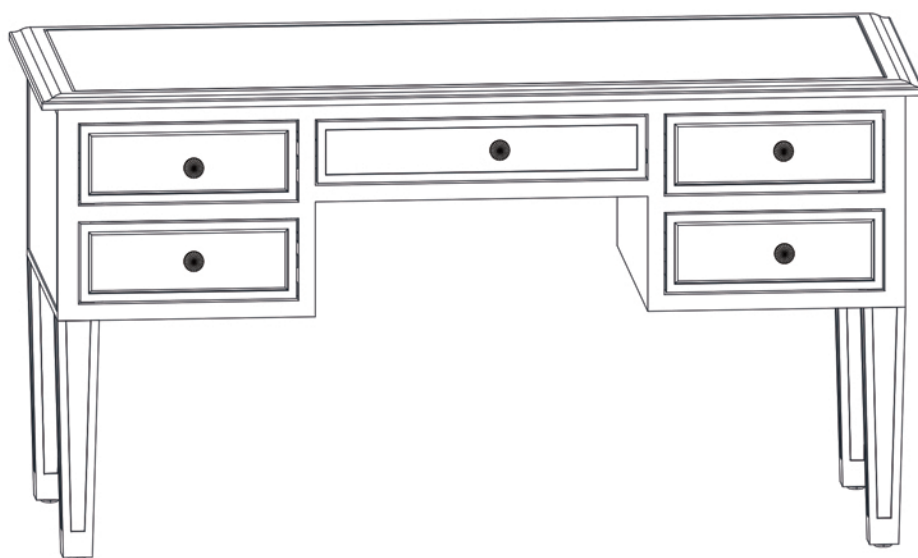
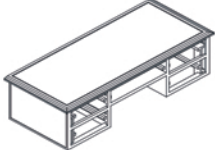
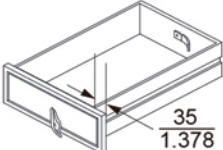
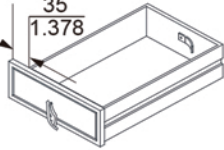
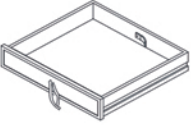
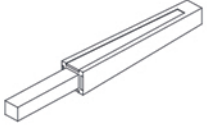
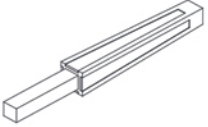










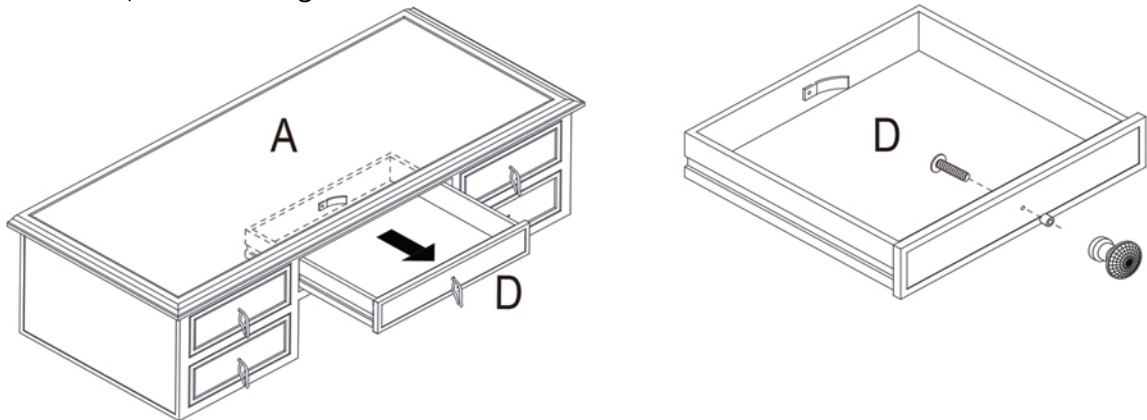
**G13003609**



A	x1		B	x2		C	x2	
D	x1		E	x2		F	x2	
G	x1		H	x1		I	x1	
J	x1		K	x2		L	x8	
M	x8		N	x1				

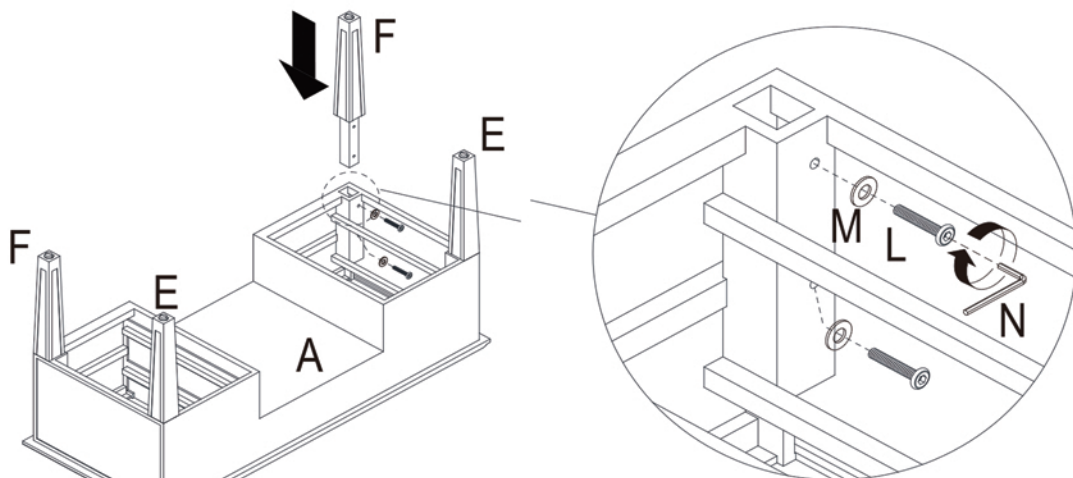
### Step 1

Remove drawers from top, then remove knob from inside of drawer to outside of drawer using a hand held screwdriver, make screw goes inside of drawer.



### Step 2

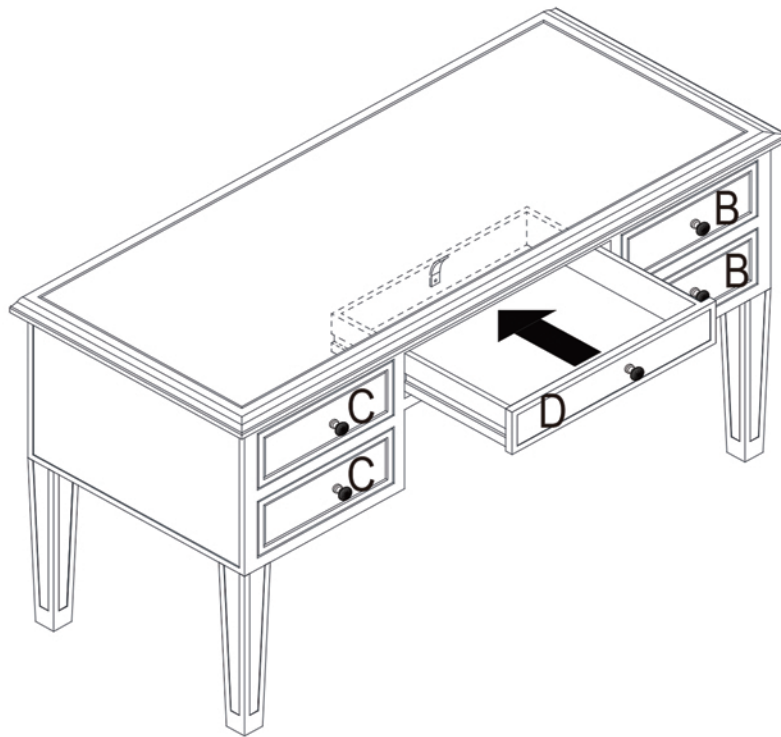
Connect legs (E) & (F) to top panel (A), as showing using bolts (L) and washer (M) and allen wrench (N).



(Assemble face down on carpet or soft surface)

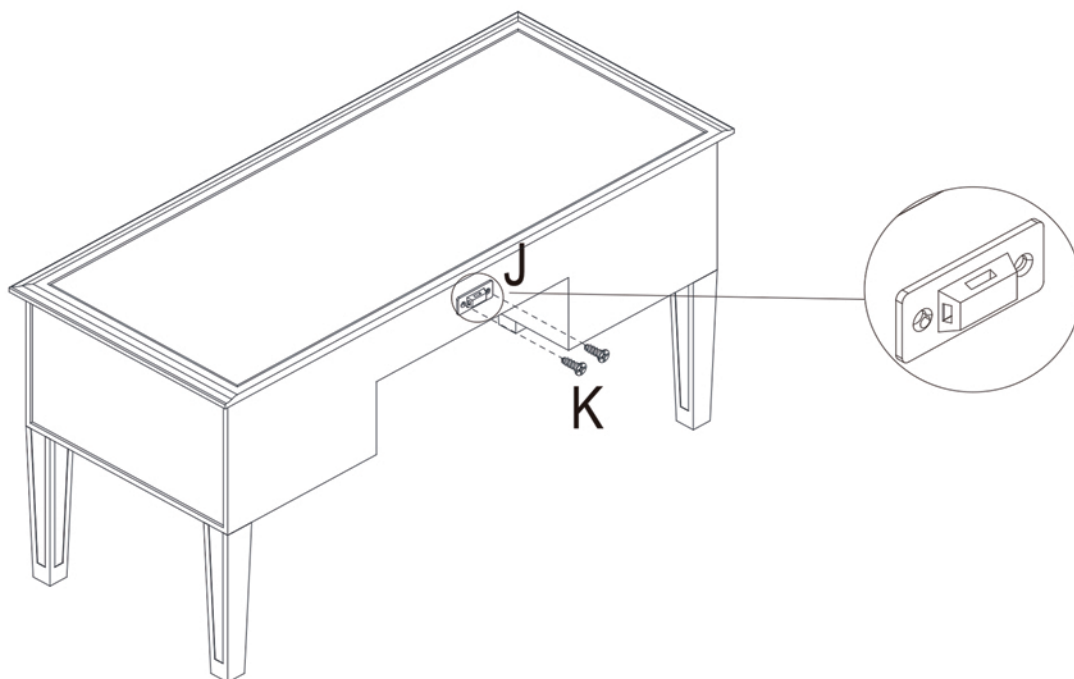
### Step 3

Gently reinsert the drawer and reposition drawer stop.



### Step 4

1. Connect plastic bracket(J) to unit as show using short screw(K).



## Step 5

2. Insert cable tie(H) into plastic bracket(J) as show
3. Drill hole slightly smaller than anchor(I) into drywall and gently tap anchor into hole.
4. Insert eyelet screw(G) into anchor and fasten unit to wall using cable tie(H)

