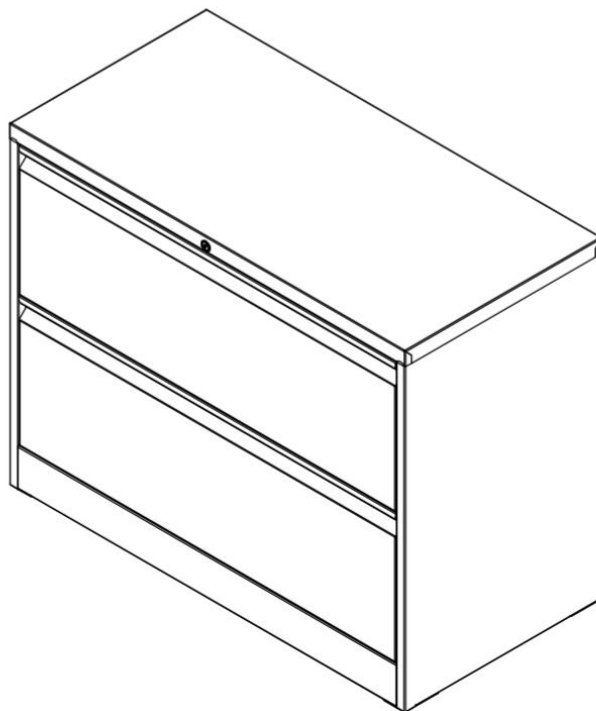




Assembly Instruction



Thank you for your purchase.

If you have difficulty with assembly or find a part is missing or damaged, please don't hesitate to contact us for solution.

Here is how we can connect:

Email: Support@vingli.com

Facebook: [https://www.vingli.com /](https://www.vingli.com/)

Please attach your Order ID so we can assist you be

◆ Introduction

Please read the following instruction carefully and use the product properly. Please keep this manual and hand it over when you transfer the product. This summary may not include every detailed information of all variations and considered steps. Please contact us when further information and help needed.

Before Starting

Recommend no. of people needed for assembly:2

Read each section carefully before starting. It is very important that each step is performed in the correct order. If these steps are not followed in sequence, assembly difficulties will occur.

Make sure all parts are included. Most board parts are labeled or stamped on the raw edge.

Please assemble the product according to the steps on the diagram strictly. Do not fully tighten the screws until all pieces are situated in place.

For continued use, it's suggested you regularly check the tightness of bolts and connections to ensure safety.

Work in spacious area, preferably on a carpet, near the place the unit will be located.

Have the following tools close at hand.

Warning

Keep all accessories and packaging of this product away from babies, children and pets as they potentially

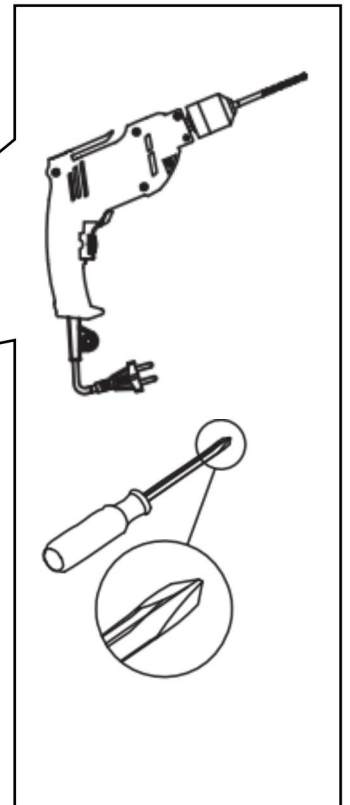
The units contains small parts which could be a choking hazard for small children. Children should be under adult supervision at all times or serious injury could occur.

Do not put the product in a humid environment for a long time to prevent mildew.

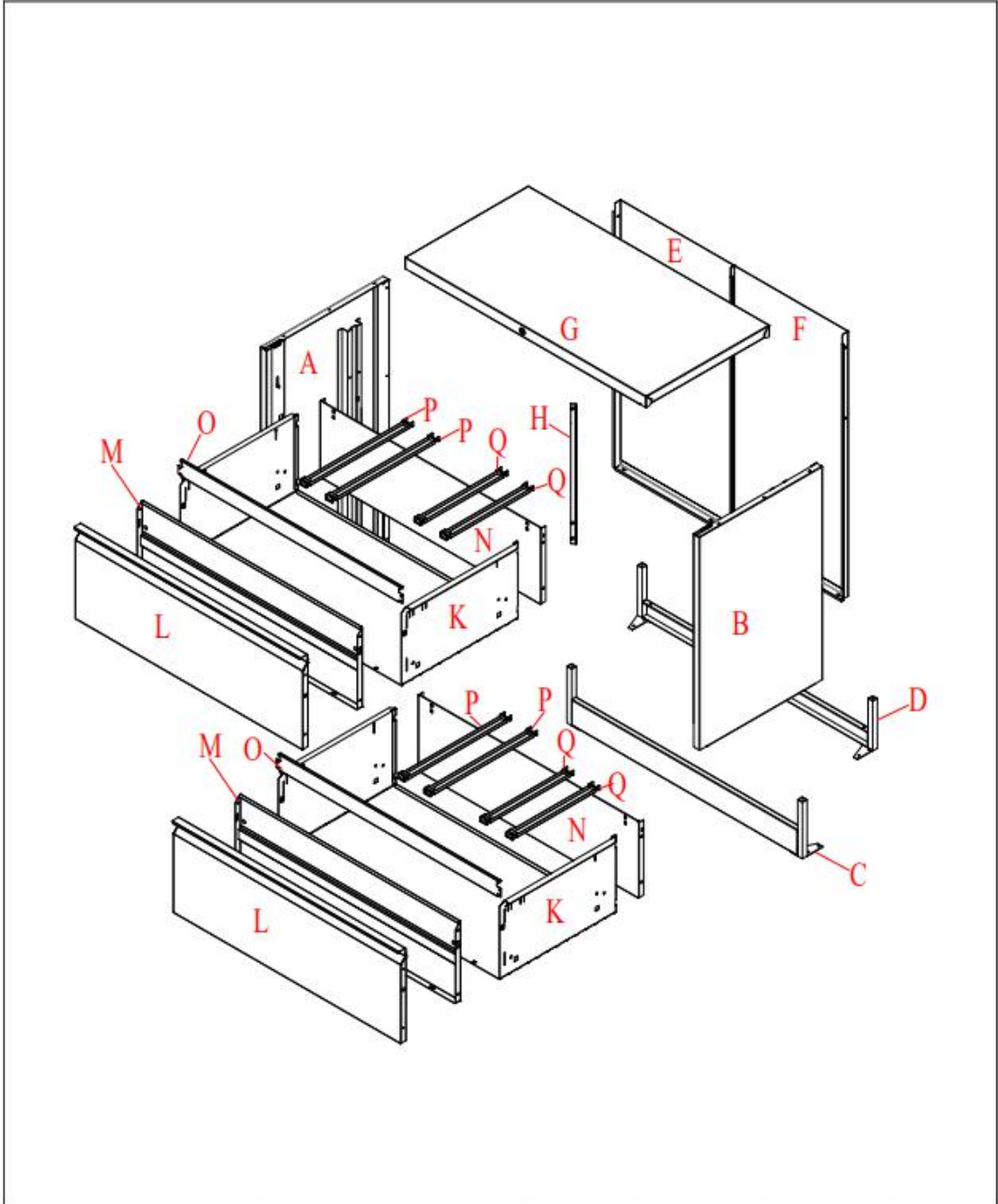
Keep the product away from sharp objects and corrosive chemicals to avoid damage.








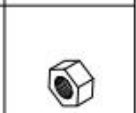
Do not overload unit. If any shelf, top, or bottom of units bows or bends, it is overloaded. The shelf, top, or bottom could collapse and cause serious bodily injury and/or damage to personal belongings.

Do not climb or step on the unit. The unit may become unstable and either tip or collapse. Serious bodily injury and/or damage to personal belongings may occur.



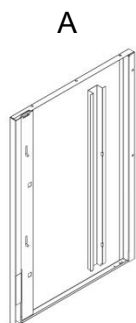
◆ Start assembling furniture



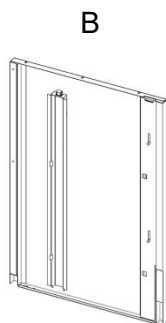
| | | | | | | |
|---|---|---|---|--|---|---|
|  <p>I×2 J×2</p> | <p>R ×25</p> | <p>S ×4</p> | <p>T ×2</p> | <p>U ×1</p> | <p>V ×2</p> | <p>W×4</p> |
|  |  |  |  |  |  |  |

◆ Components of furniture

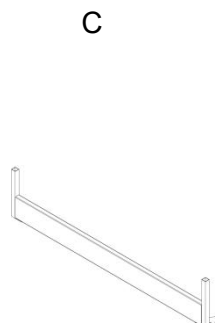
Please check the board number and the hole on the board



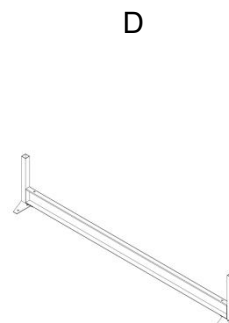
A
LEFT SIDE PANEL
692x460mm
QTY:1PC



B
RIGHT SIDE PANEL
692x460mm
QTY:1PC



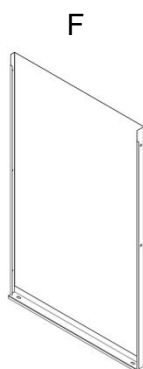
C
FRONT FOOT
897x81mm
QTY:1PC



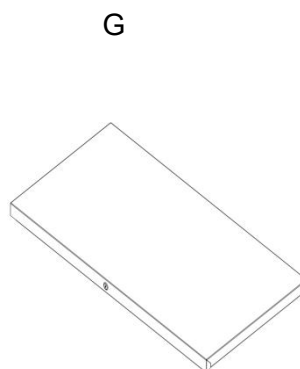
D
BACK FOOT
897x36mm
QTY:1PC



E
LEFT BACK PANEL
654x426mm
QTY:1PC



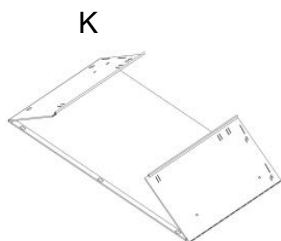
F
RIGHT BACK PANEL
654x426mm
QTY:1PC



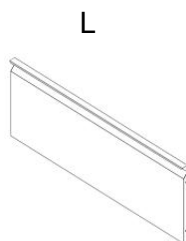
G
TOP PANEL
902x462mm
QTY:1PC



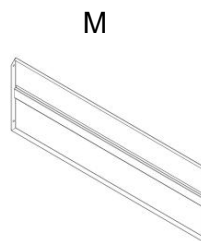
H
ANTI-TIPPING LOCK ROD
463x25mm
QTY:1PC



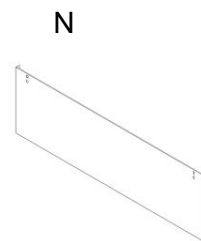
K
DRAWER PANEL
828x435mm
QTY:2PCS



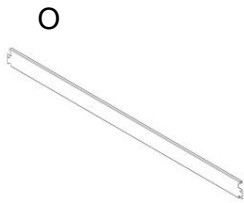
L
DRAWER PANEL
849x299mm
QTY:2PCS



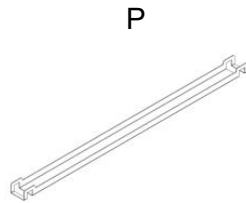
M
DRAWER FRONT
823x258mm
QTY:2PCS



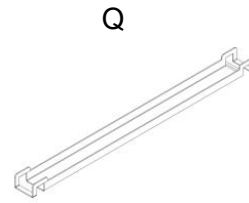
N
DRAWER BACK
825x249mm
QTY:2PCS



O
 HANGING FILE
 FOLDER BAR
 840x52mm
 QTY:2PCS

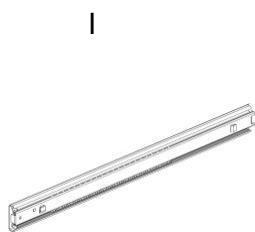


P
 HANGING FILE
 FOLDER BAR
 401x26mm
 QTY:4PCS

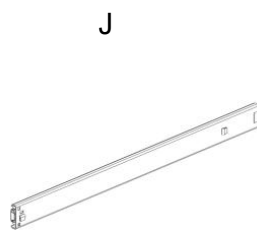


Q
 HANGING FILE
 FOLDER BAR
 326x26mm
 QTY:4PCS

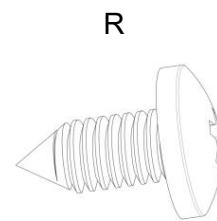
◆ Hardware accessories



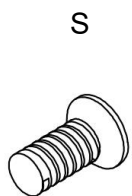
I
 LEFT SIDE RAIL
 400x45mm
 QTY:2PCS



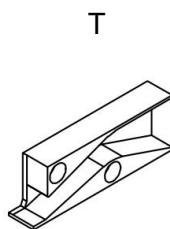
J
 RIGHT SIDE RAIL
 400x45mm
 QTY:2PCS



R
 SCREW
 M5 x10
 QTY:25PCS



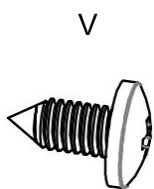
S
 SCREW
 M4x8
 QTY:4PCS



T
 SLIDER
 QTY:2PCS



U
 PLASTIC CLIP
 QTY:1PCS

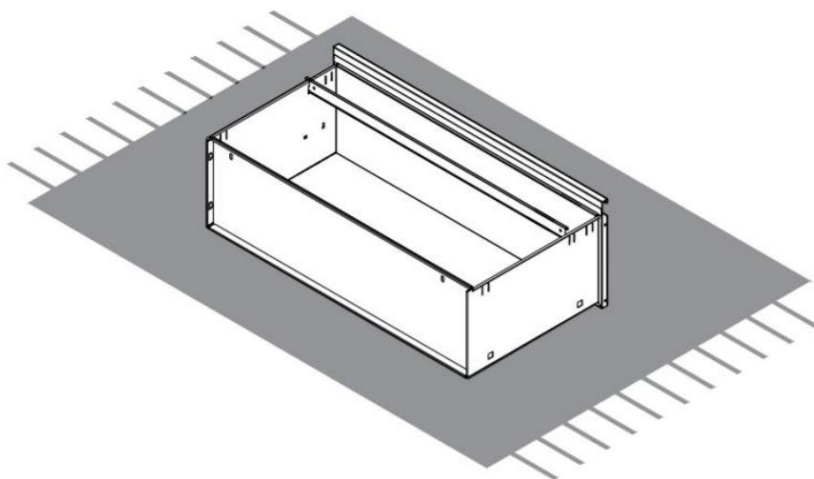
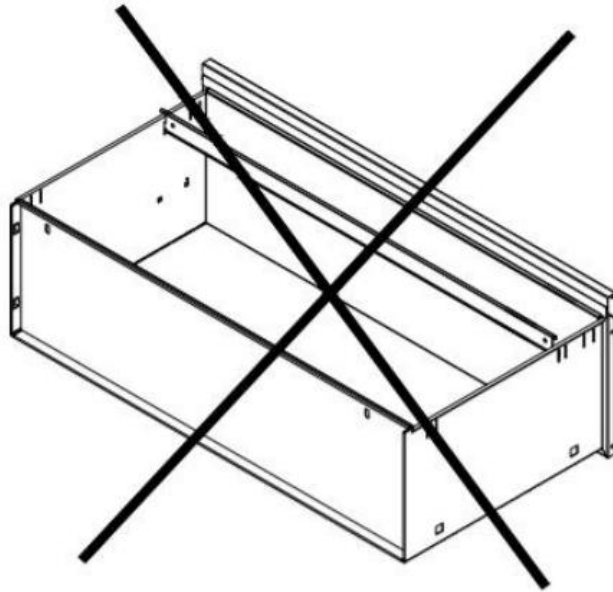


V
 SCREW
 M4x10
 QTY:2PCS



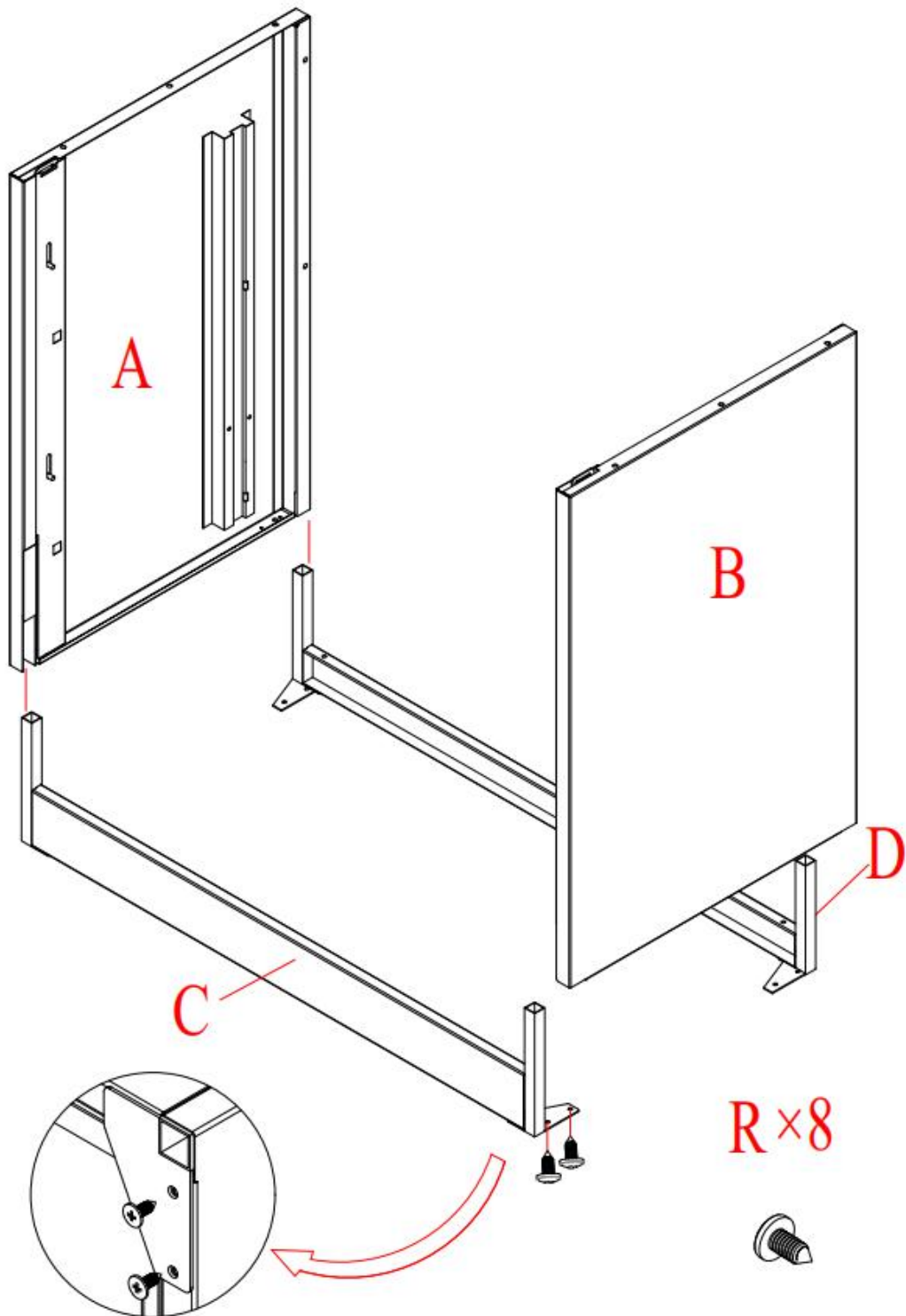
W
 NUT
 M4
 QTY:4PCS

◆ We recommend you assemble on a soft surface to avoid damage to the unit or surface.



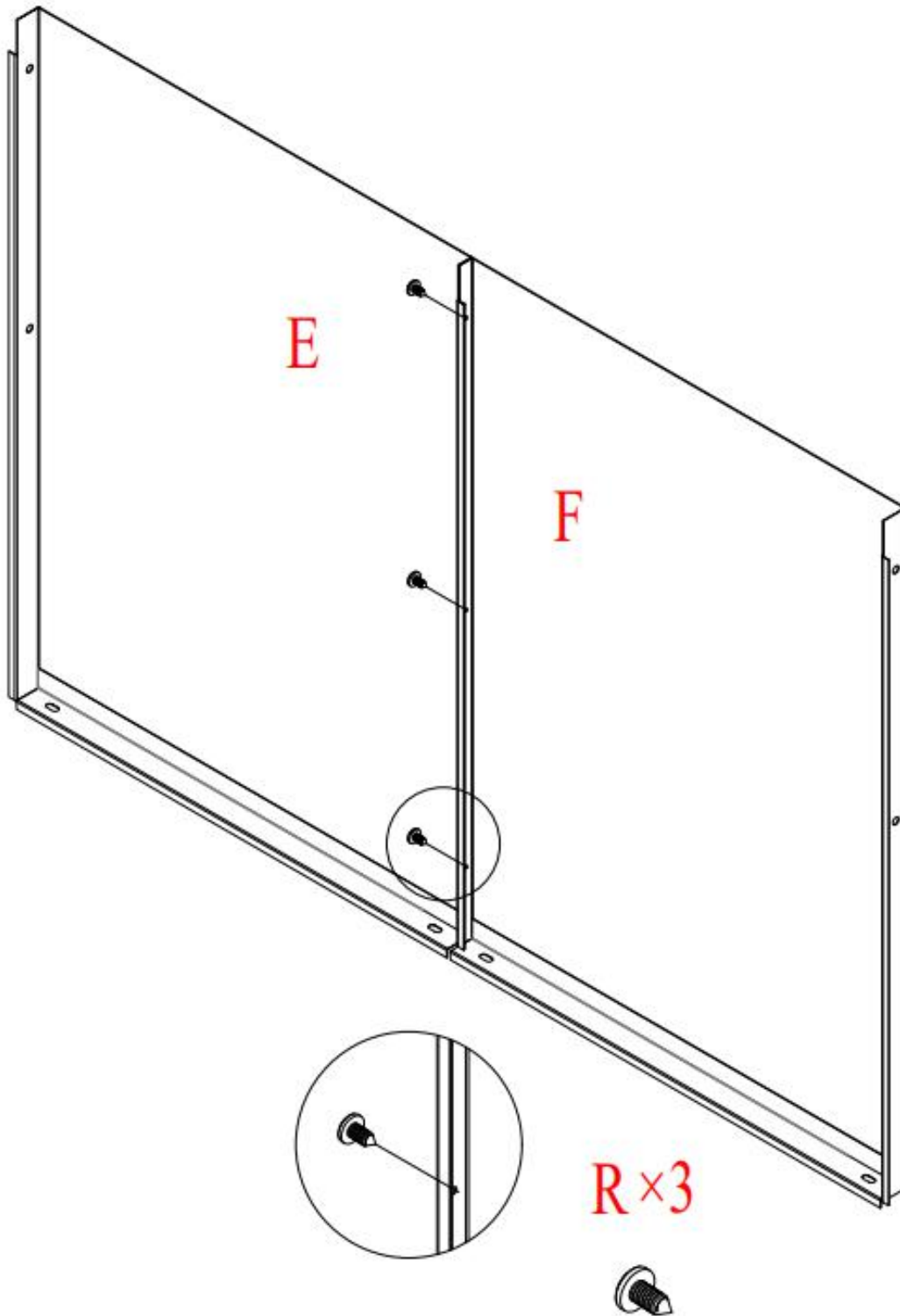
STEP 1

Put Left side panel(A) and Right side panel(B) on the Front foot (C) and Back foot(D) using eight Screws(R) to attach them



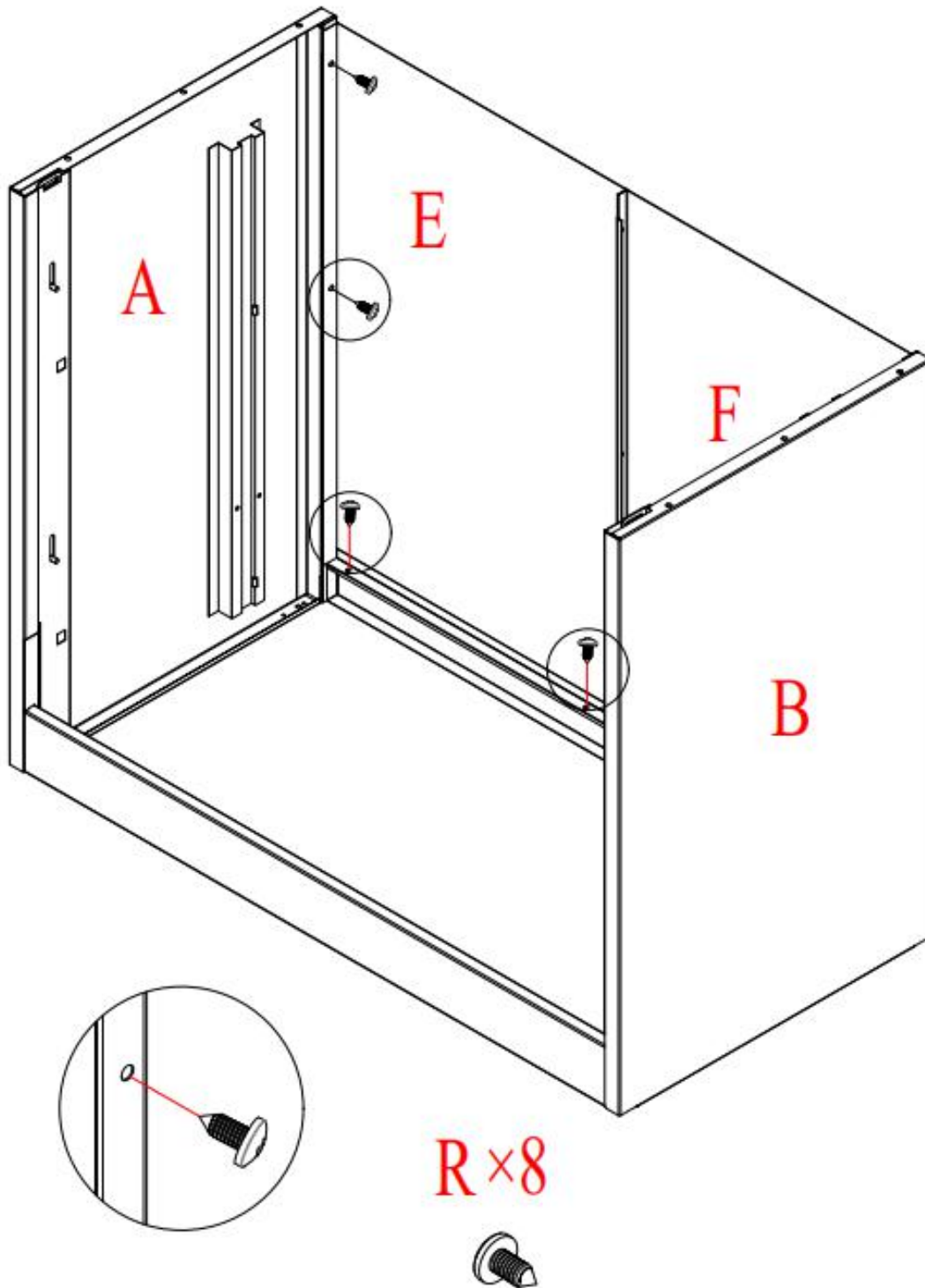
STEP 2

Connect Left back panel (E) with Right back panel (F) using three Screws(R)



STEP 3

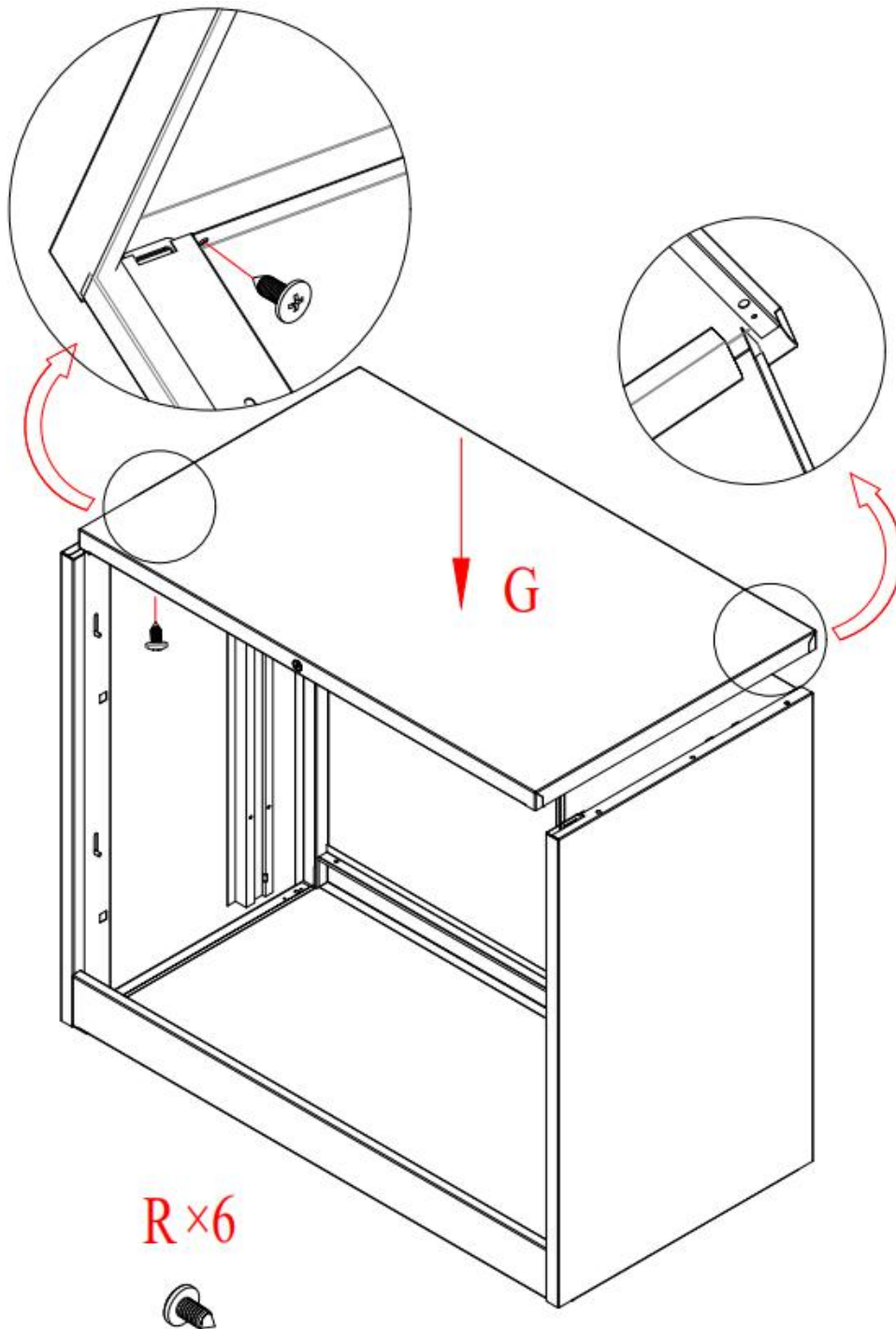
Connect Back panel (E&F) with Side panel (A&B) using eight Screws(R)



STEP 4

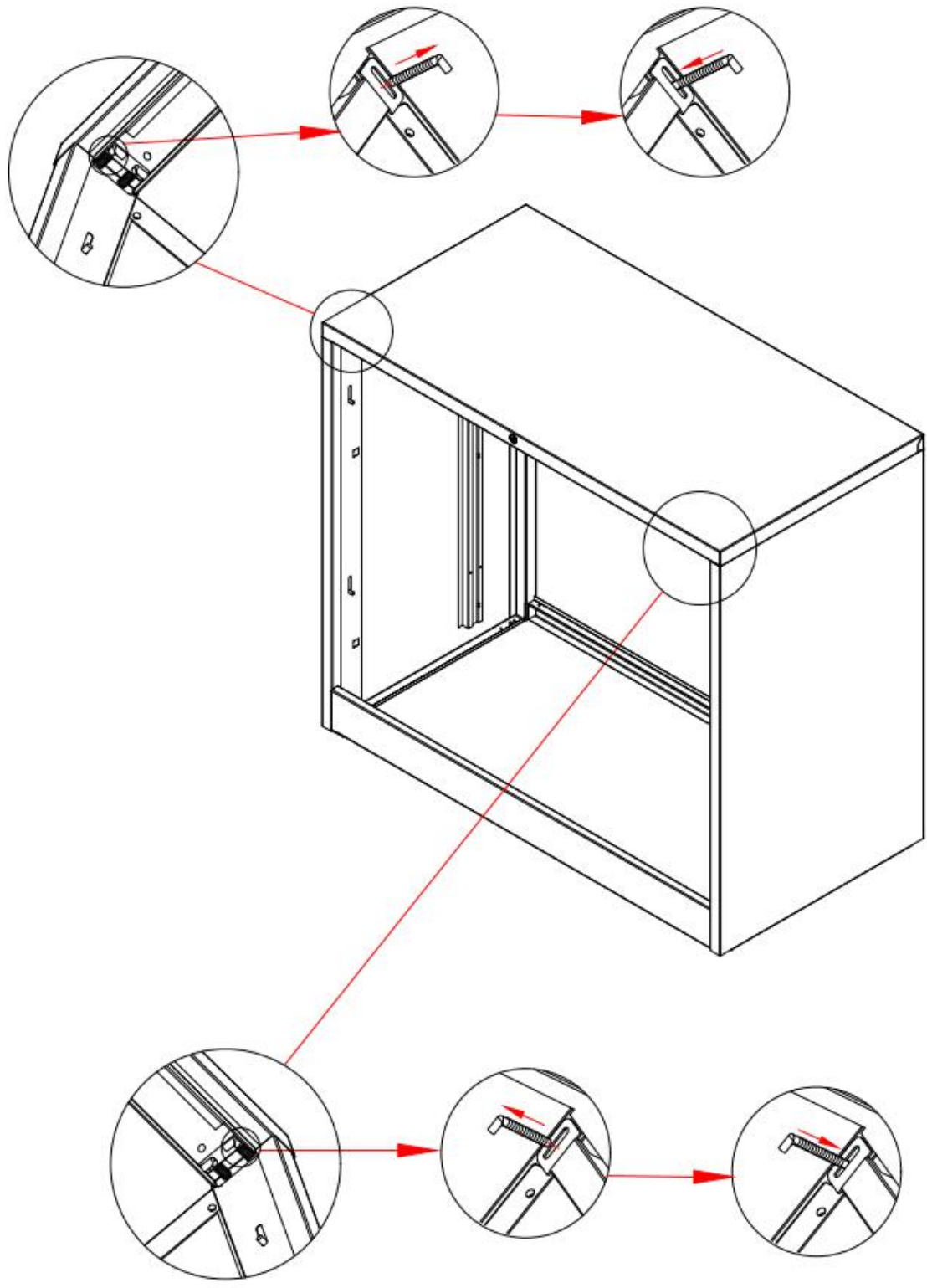
Connect Top panel (G) with the Bottom frame using six Screws(R)

Note: Pay attention to install the Back panel(E&F) to the Top panel(G) as pictures shown



STEP 5

Connect the Lock lever on the Top panel(G) and the Side panel(A&B)

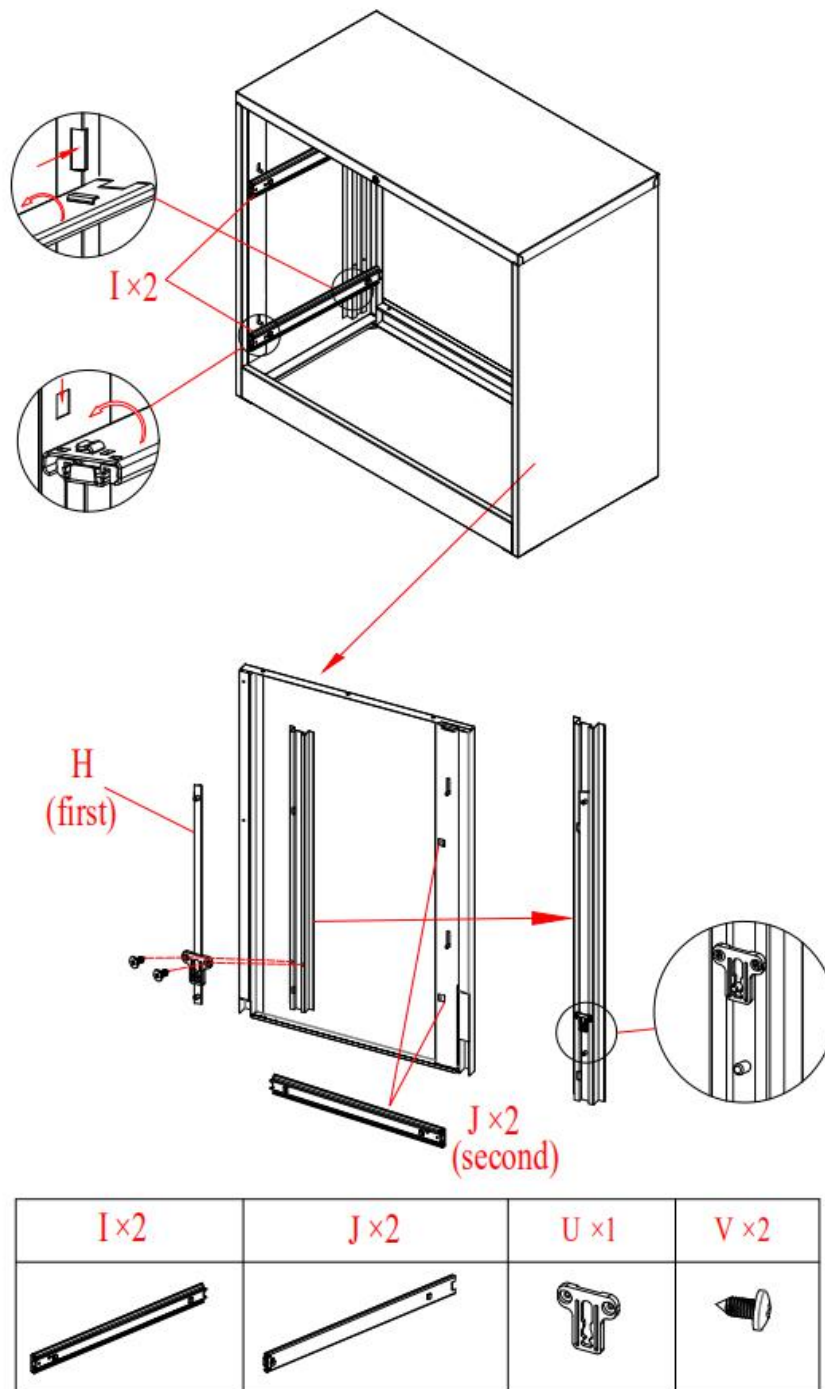


STEP 6

6.1 Put Left side rail(I) on the Left side panel(A)

6.2 Install Anti - tipping lock rod(H) on the Right side panel(B) using Slider(U) and two Screws(V)

6.3 Put Right side rail(J) on the Right side panel(B)



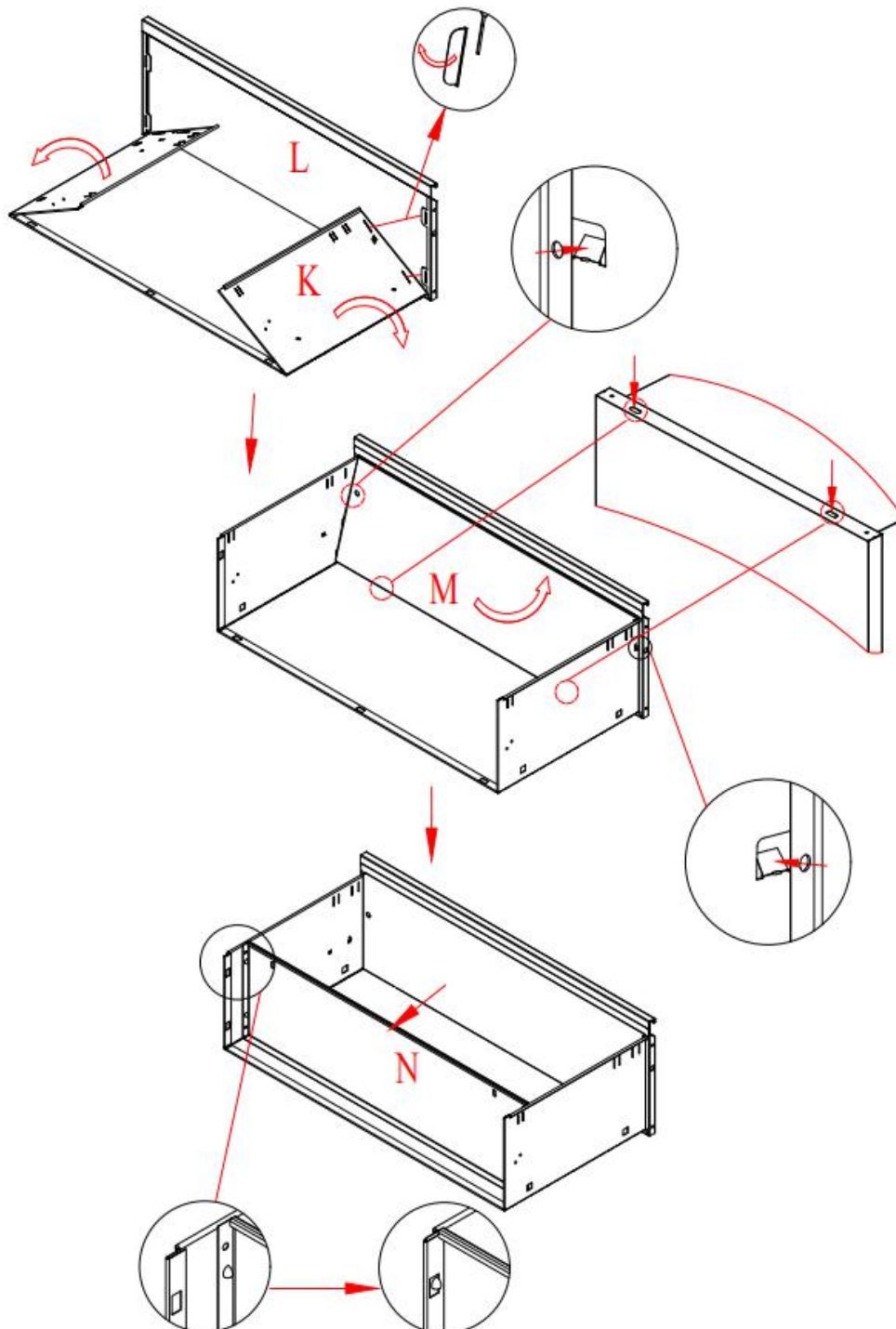
STEP 7

Install the drawer

7.1 Connect Drawer panel(K) with Drawer panel(L)

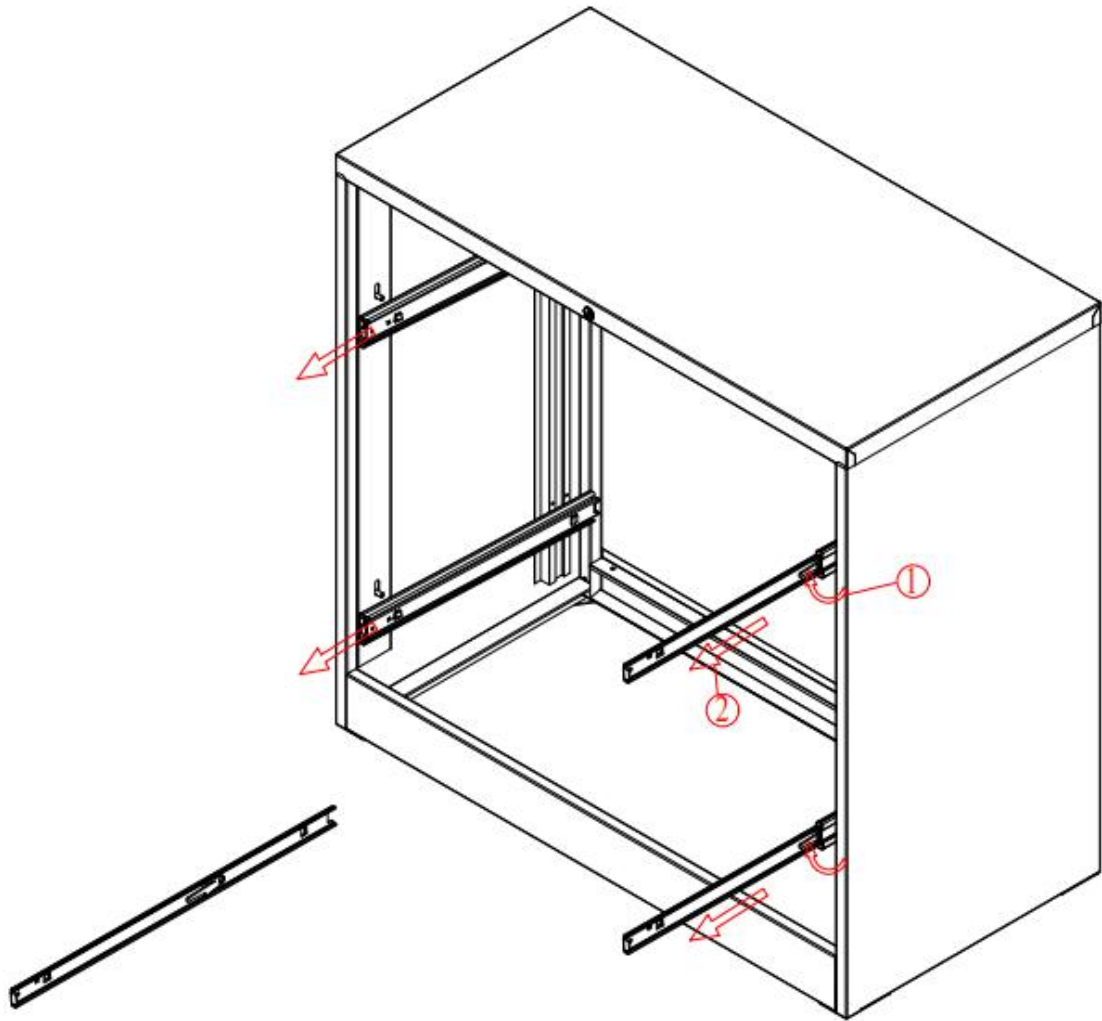
7.2 Put Drawer front(M) on the Drawer panel(L)

7.3 Connect Drawer back (N) with Drawer panel(K)



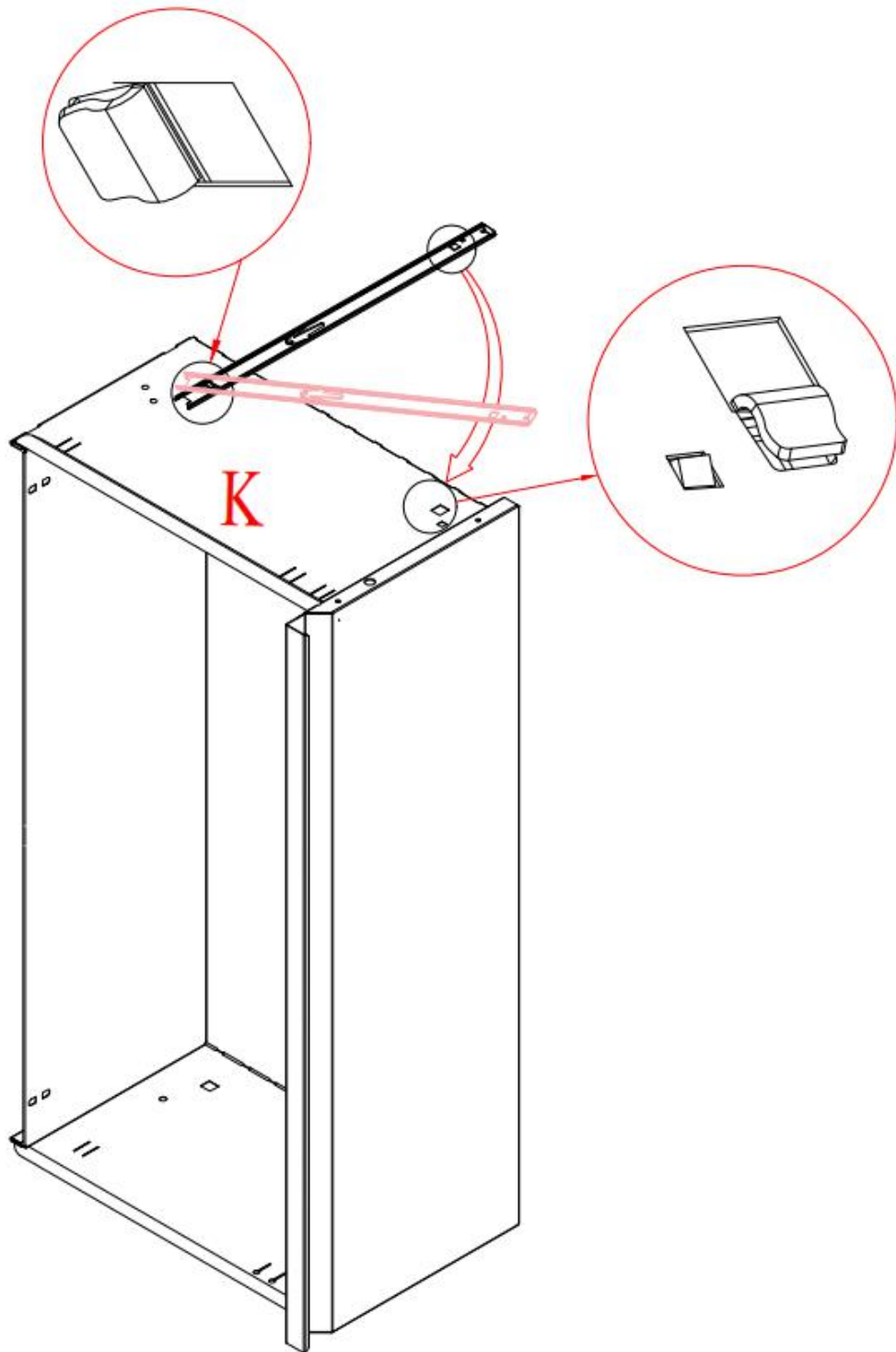
STEP 8

Separate the Inner Rails (I&J)



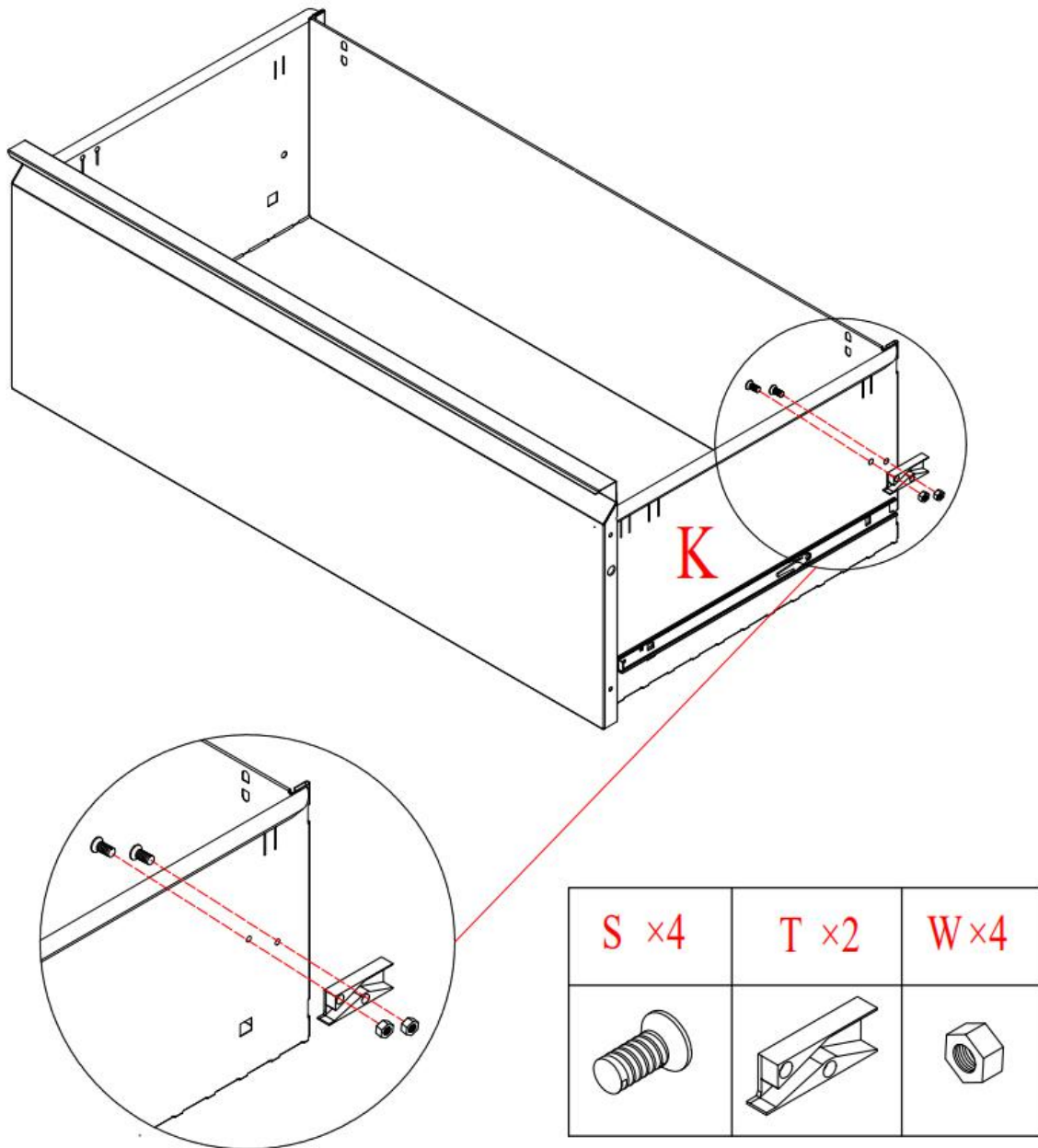
STEP 9

Put Inner rail on the Drawer frame(K)



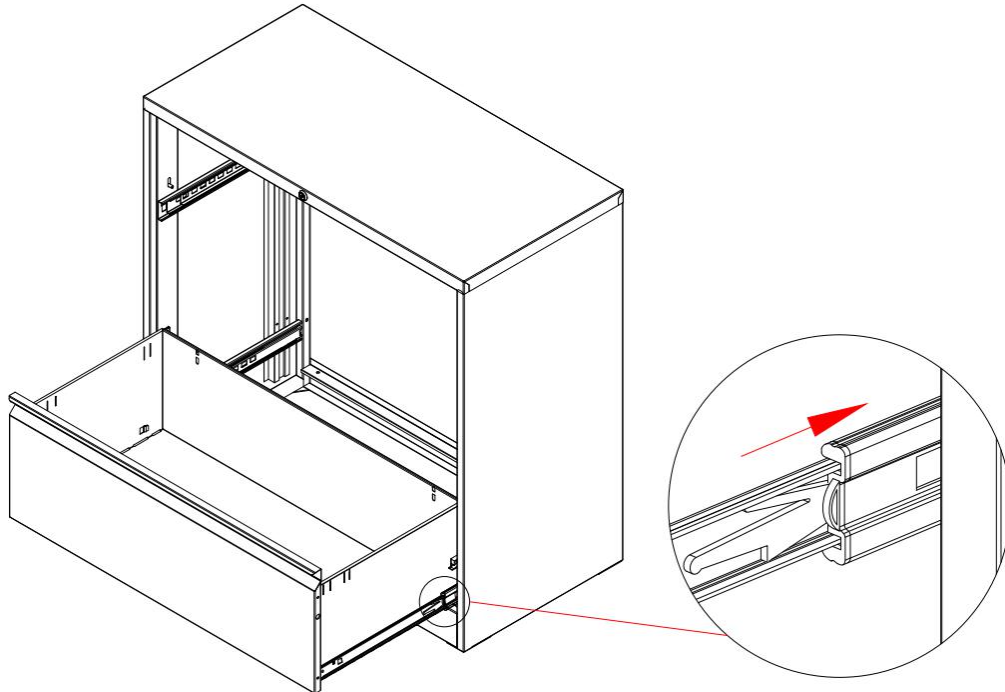
STEP 10

Put Slider(T) with two Screws(S) and two Nuts(W) on the Drawer panel(K)



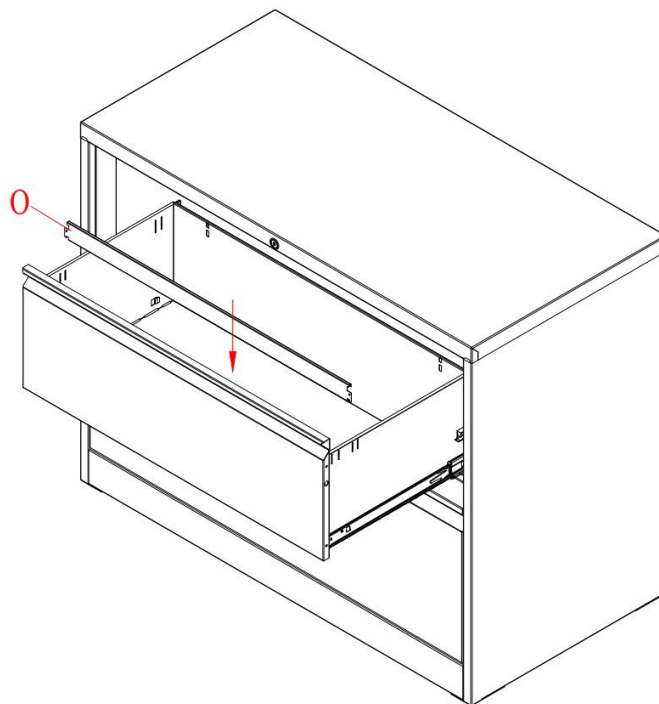
STEP 11

Slide the Drawer frame into the Body frame

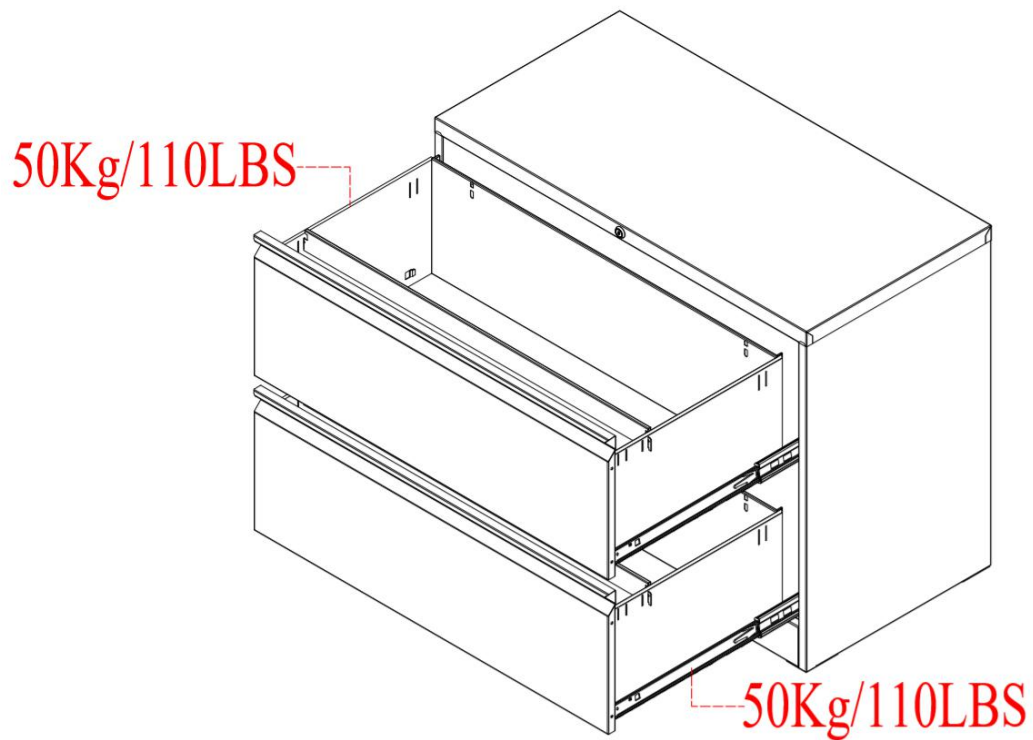


STEP 12

Put Hanging file folder bar(O) on the Drawer panel(K)



WEIGHT LIMITS:



Enjoy your furniture !

WARNING

This unit has been designed to support the maximum loads shown. Exceeding these load limits could cause sagging, instability, product collapse, and/or serious injury.

 **WARNING**

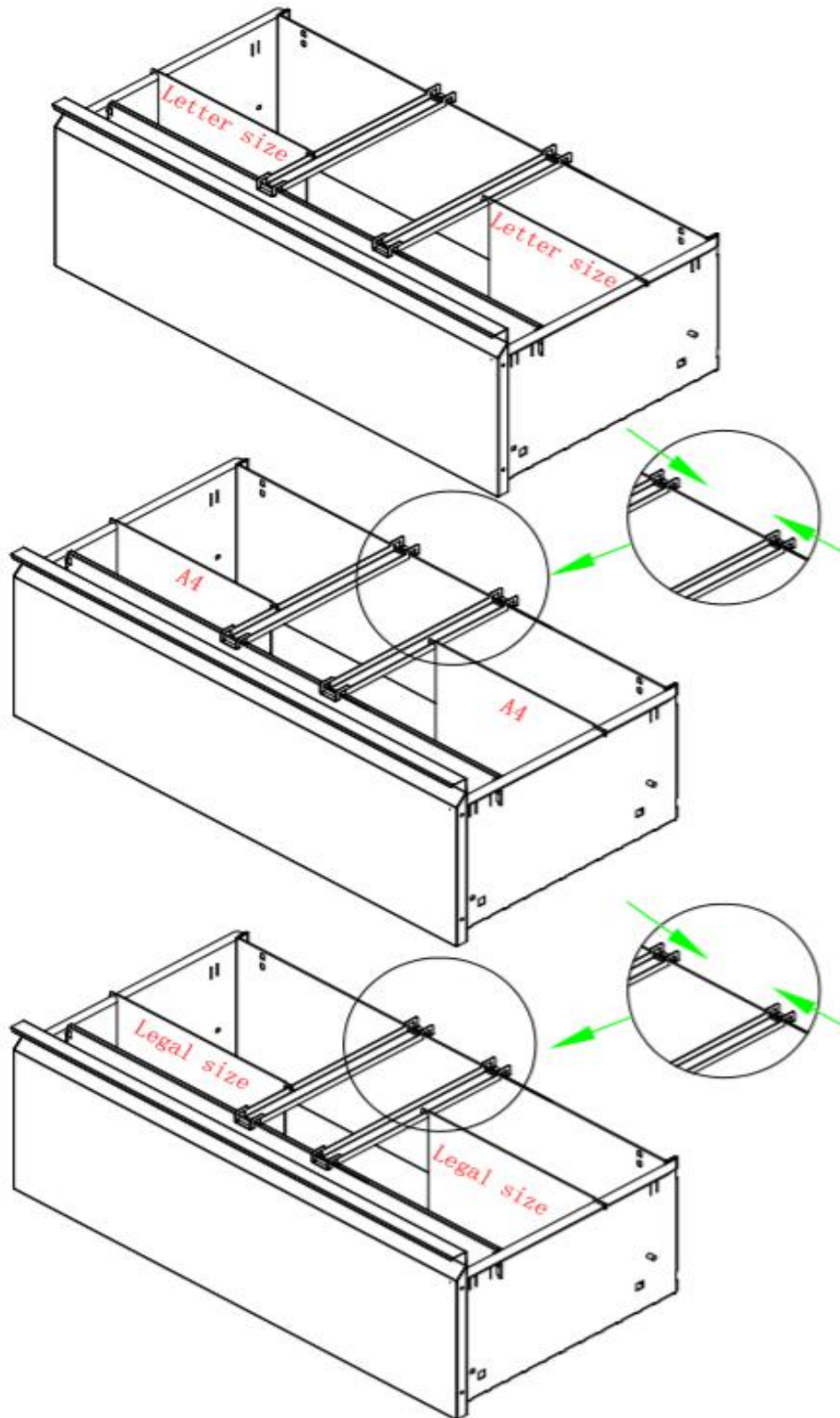
Please make sure that all panels are attached securely.

All nails must be driven into the parts straight and tightened firmly. Failure to do so could cause instability, product collapse, and/or serious injury.

To prevent tip over:

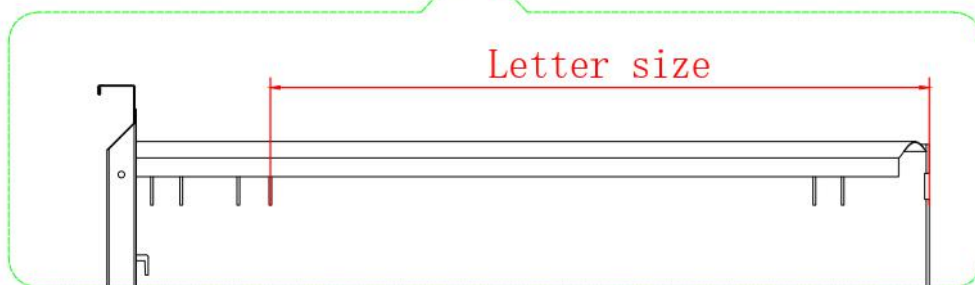
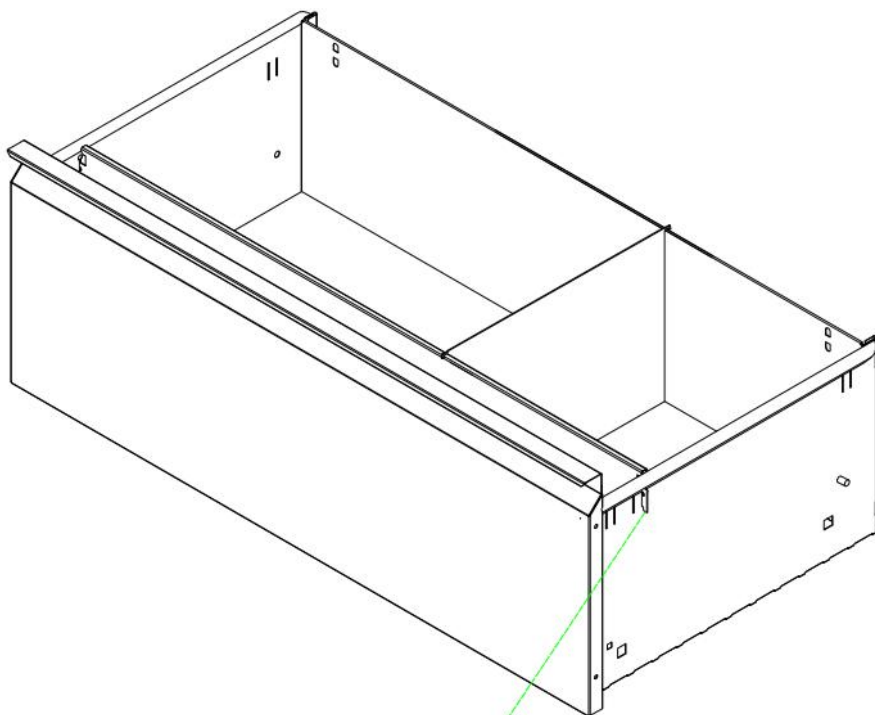
- ◆ Place heaviest items in the second drawer.
- ◆ Unless specifically designed to accommodate, do not set TVs or other heavy objects on the top of this product.
- ◆ Never allow children to climb or hang on drawers.
- ◆ Only one drawer can be open at one time.
- ◆ Never open more than one drawer at a time.

Instructions



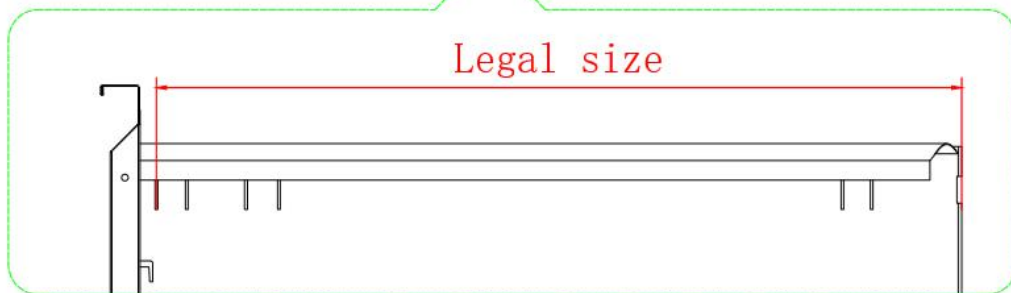
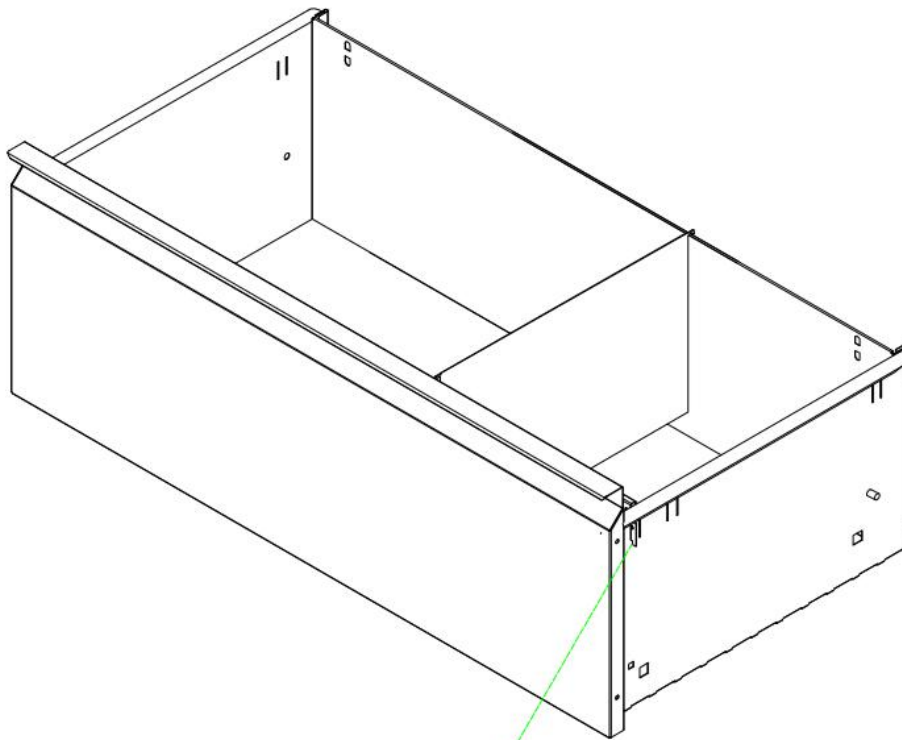
Option 1

For Letter Size File Folders



Option 2

For Legal Size File Folders



Option 3

For A4 Size File Folders

