



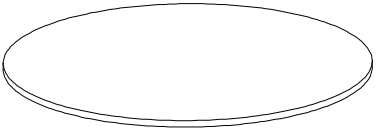
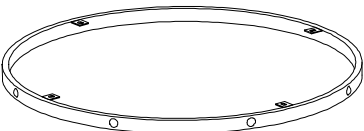
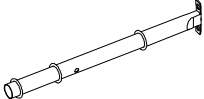



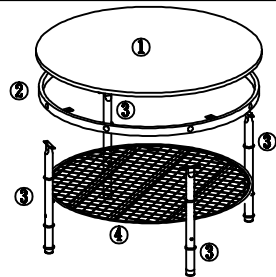
Hardware

A M6*5.5 Nut  4pcs	B M6*45 Screw  4pcs	C M6*12 Screw  12pcs	D Tools  1pc
---	--	---	---

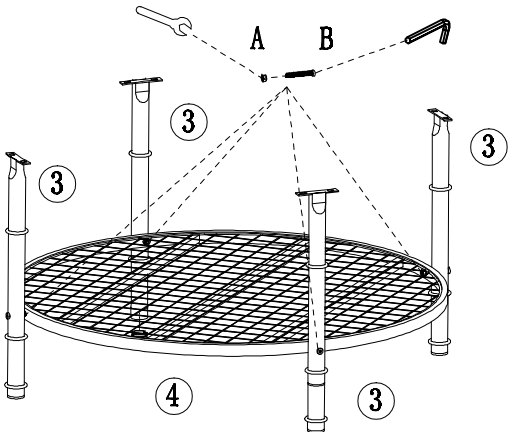
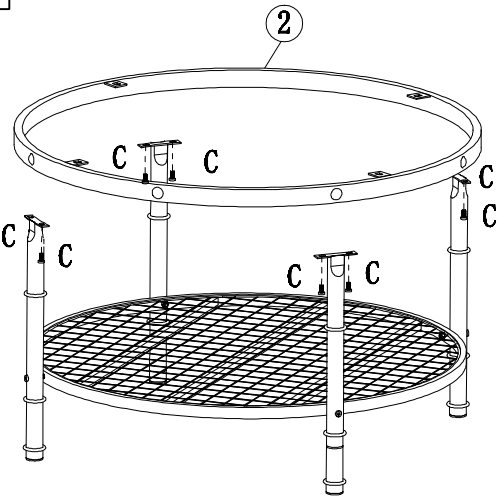
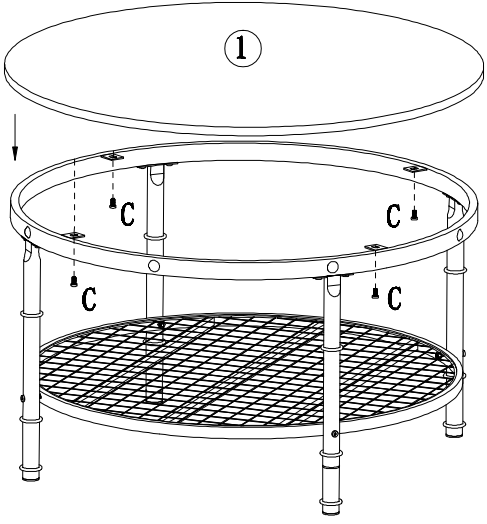
Parts

1  1pc	2  1pc	3  4pcs	4  1pc
---	--	--	---

Overview



To give you an overview of all parts, the picture is to help you put the various parts into perspective. Please read through the instructions below to familiarise yourself with the parts and steps before assembly. This coffee table may require 2 people to assemble.

1  <p>Attach part 4 to legs 3 with screws B and nuts A.</p>	2  <p>Attach part 2 to frame(from step 1) with screws C.</p>	3  <p>Attach tabletop to frame(from step2) with screws C. Adjust and tighten all screws and make sure table does not wobble.</p>
---	--	---