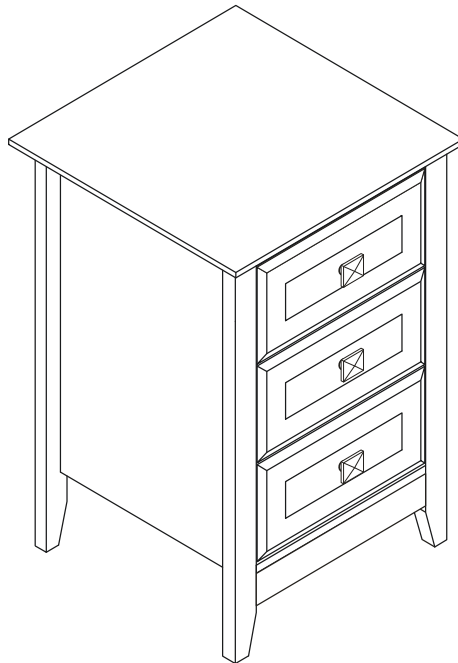




## *Assembly Instruction*

---Bonnlo Nightstand

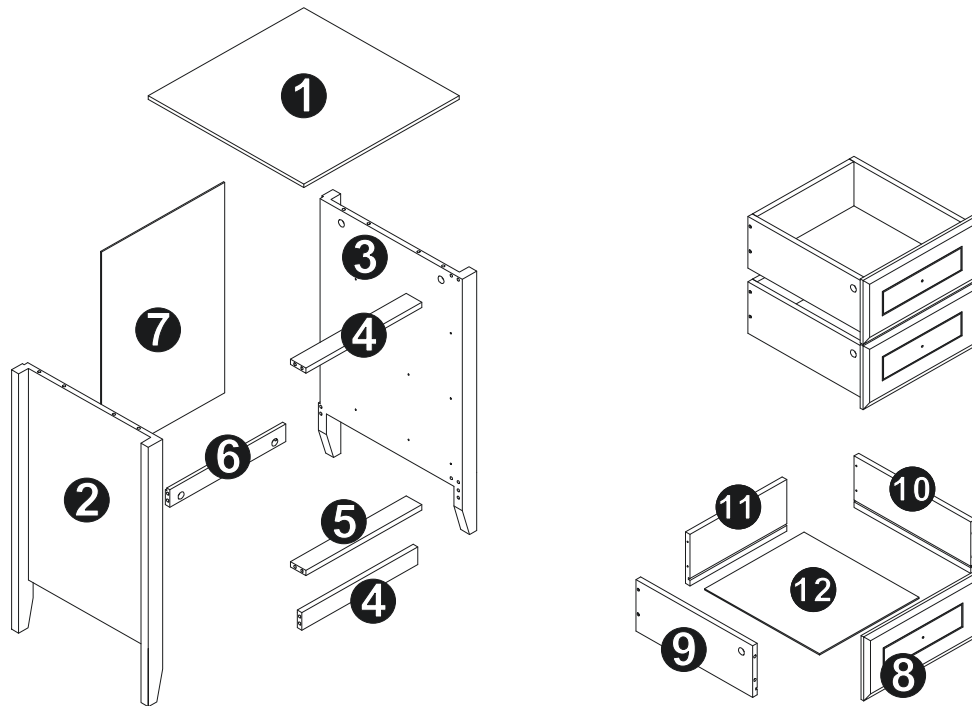


---











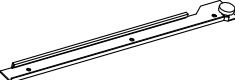
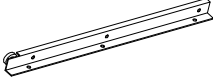

Thank you for your purchase.  
Please contact us if you have difficulty with assembly  
or need replacement parts.  
Bonnlo Customer Service team is here to assist you.  
Here is how we can connect:  
Email: [support@bonnlo.com](mailto:support@bonnlo.com)

---

# Components

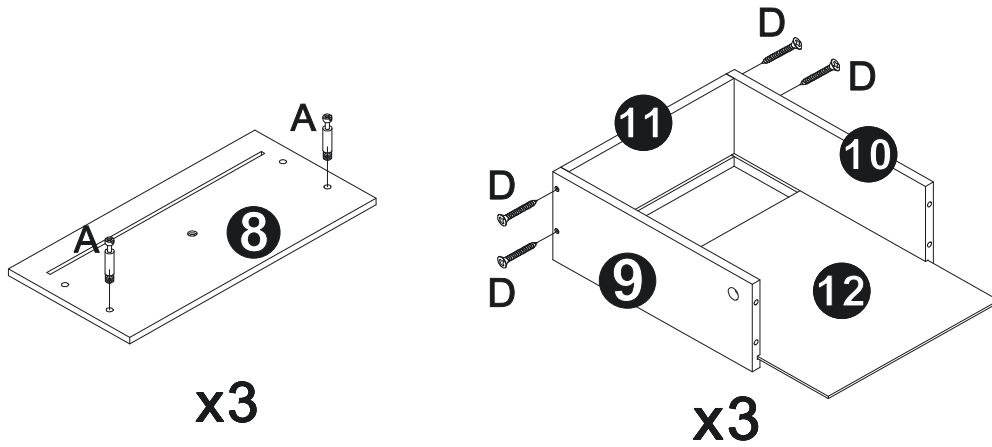


NO	QTY	DESCRIPTION
1	1PC	TOP BOARD
2	1PC	LEFT SIDE PANEL
3	1PC	RIGHT SIDE PANEL
4	2PCS	CROSS BAR
5	1PC	BOTTOM CROSS BAR
6	1PC	BACK CROSS BAR
7	1PC	BACK PANEL
8	3PCS	DRAWER FRONT BOARD
9	3PCS	DRAWER LEFT SIDE PANEL
10	3PCS	DRAWER RIGHT SIDE PANEL
11	3PCS	DRAWER BACK BOARD
12	3PCS	DRAWER BOTTOM BOARD

NO	PARTS	QTY	DESCRIPTION
A		14PCS	CAM BOLT
B		14PCS	CAM LOCK
C		22PCS	WOOD DOWEL
D		12PCS	SCREW
E		3PCS	SCREW
F		3PCS	KNOB
G		10PCS	BACK BOARD SCREW
H		24PCS	SCREW
I		3PCS	LEFT SLIDE RAIL SUPPORT
J		3PCS	LEFT SLIDE RAIL
K		3PCS	RIGHT SLIDE RAIL SUPPORT
L		3PCS	RIGHT SLIDE RAIL
M		4PCS	MAT

**TOOLS NEEDED FOR ASSEMBLY: FLAT & PHILIPS SCREWDRIVER (NOT INCLUDED)  
THE USE OF POWER SCREWDRIVER IS NOT RECOMMENDED**

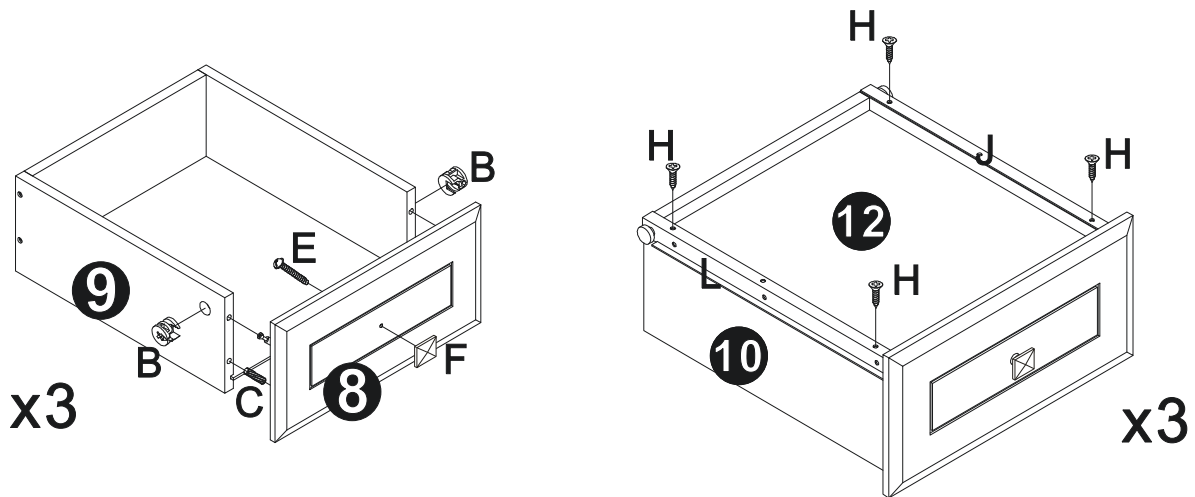
## STEP 1



## STEP 1

1. Insert cam bolt (A) on drawer front board (8).
2. Attach drawer left side panel (9) and drawer right side panel (10) with drawer back board by using screw (D).
3. Put drawer bottom board (12) along the slot.

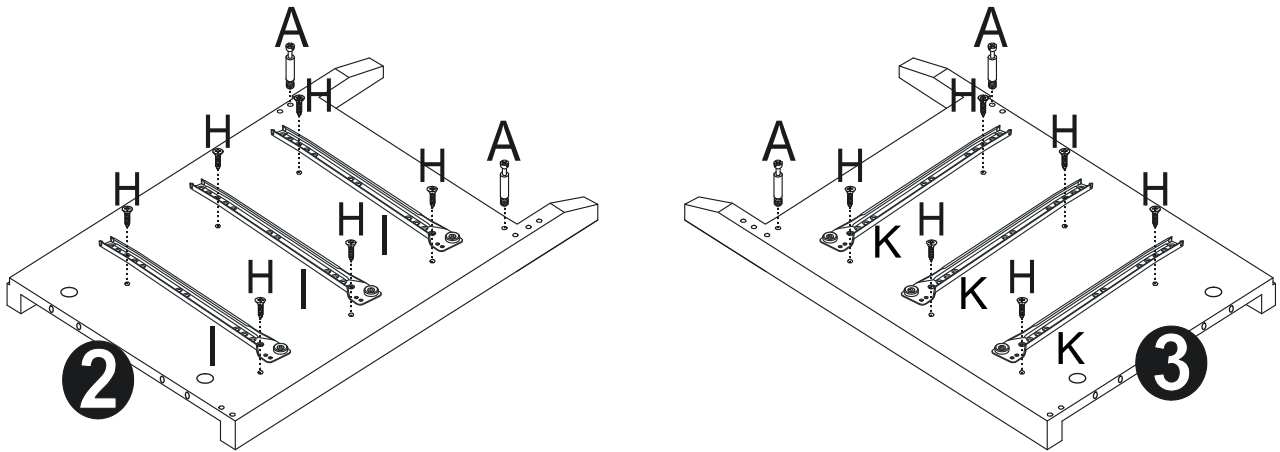
## STEP 2



## STEP 2

1. Insert wood dowel (C) into the drawer side panel (9) & (10).
2. Attach the drawer front board (8) to the drawer side boards (9&10) with the cam lock (B).
3. Attach handle (F) to drawer front board (8) by using screw (E).
4. Upside down the drawer, Attach right slide rail (L) to the drawer right side panel (10) by using the screw (H); Attach the left slide rail (J) to the drawer left side panel (9) by using the screw (H).

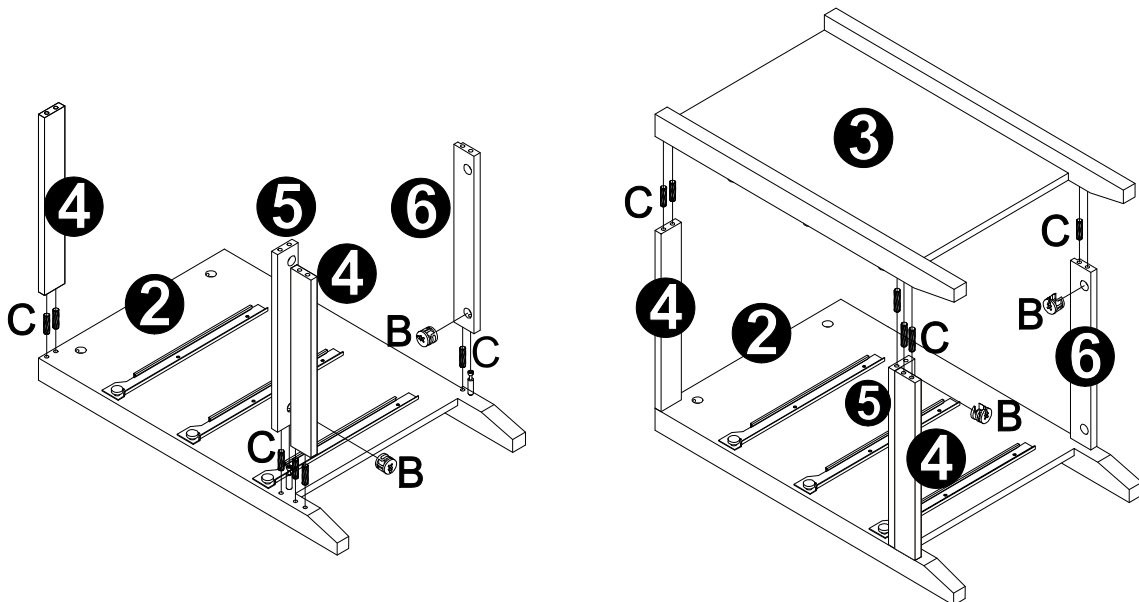
## STEP 3



## STEP 3

1. Attention: Please don't mix right slide rail support (I) with left slide rail support (K).
2. Attach right slide rail support (I) to left side panel (2) with screw (H), and insert cam bolt (A) on left side panel (2).
3. Attach right slide rail support (K) to left side panel (3) with screw (H), and insert cam bolt (A) on left side panel (3).

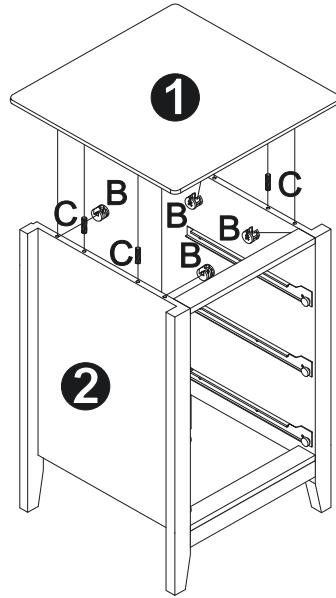
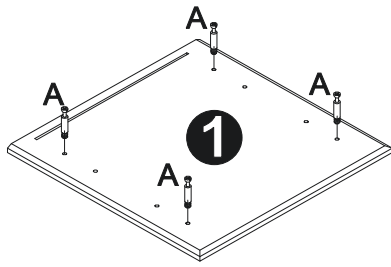
## STEP 4



## STEP 4

1. Insert wood dowel (C) into left side panel (2), connect bottom cross bar (5) and back cross bar (6) with left side panel (2) by using cam lock (B). Attach cross bar (4) with left side panel (2).
2. Insert wood dowel (C) into cross bar (4), bottom cross bar (5) and back cross bar (6).
3. Connect right side panel (3) with cross bar (4), bottom cross bar (5) and back cross bar (6) by using cam lock (B).

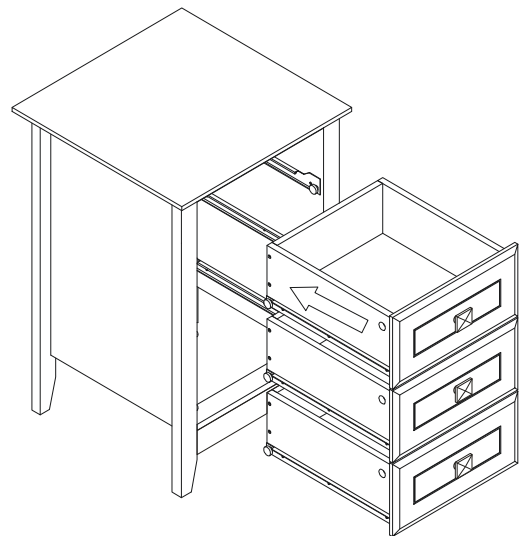
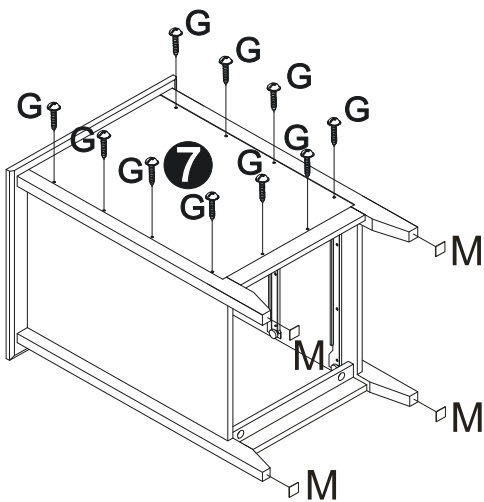
## STEP 5



## STEP 5

1. Insert cam bolt (A) into top board (1).
2. Insert wood dowel (C) into side panel (2&3)
3. Connect side panel (2&3) with top board (1) by using cam lock (B).

## STEP 6



## STEP 6

1. Using screw (G) to connect back board (7) with side panel and cross bar and attach mat (M) on the tip of legs.
2. Slide the drawer into the frame, then you' ve finished assembling your nightstand!

*Dear buyer,*

*Thank you for your order.*

*We strive for a high quality product and customer experience.*

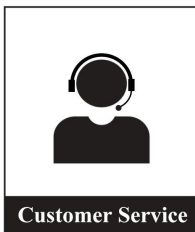
*Again, if there are any issues with the product, please contact with us via the email below, so we can help you and solve your issue within 24 hours.*

*If you are enjoying your product and have just 2 minutes to spare, will you consider to leave us a review? ★★★★★*

*Thank you so much.*

*Sincerely,*

*Bonnlo*



**Bonnlo Customer Service**

**Email: [support@bonnlo.com](mailto:support@bonnlo.com)**

