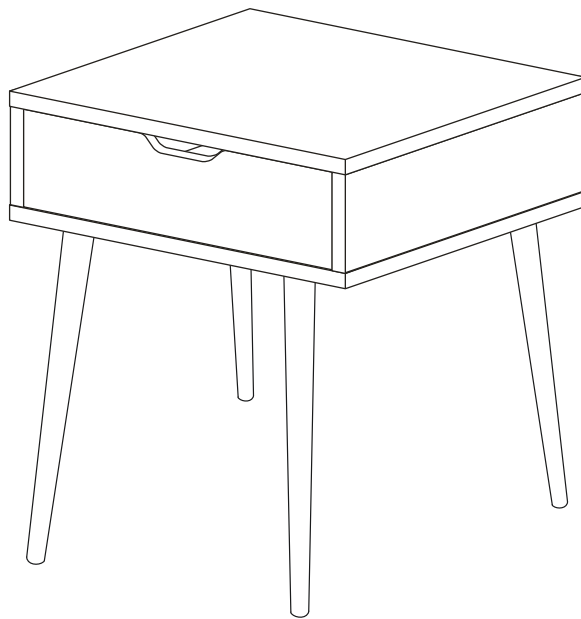




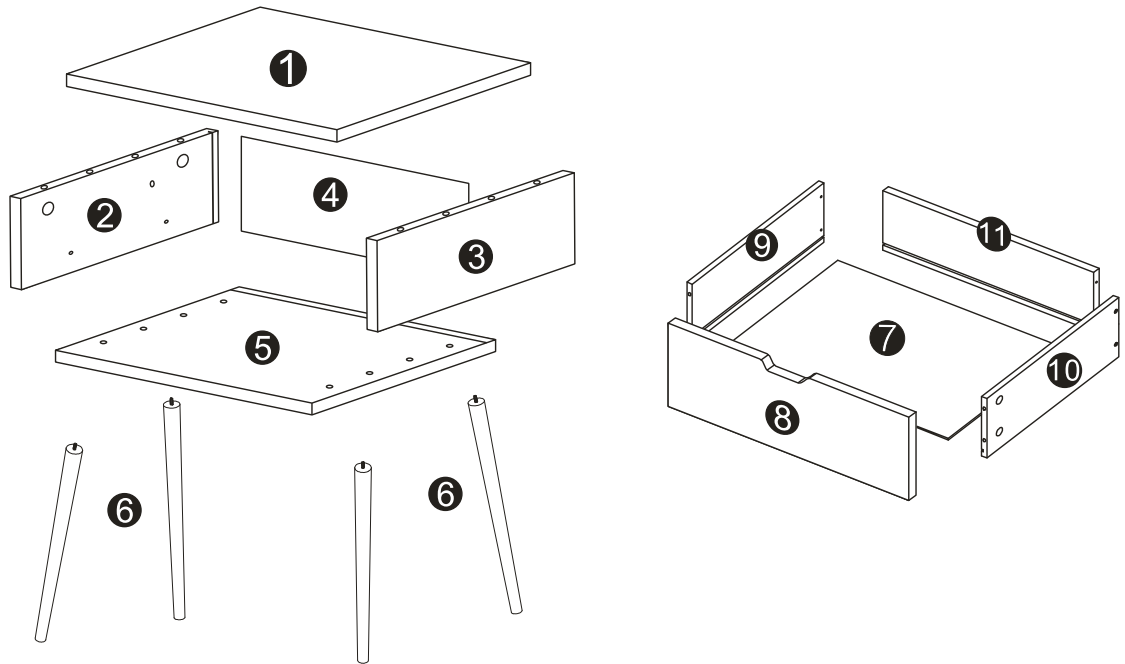
Assembly Instruction

---Bonnlo Nightstand

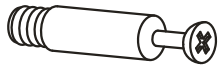



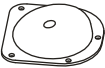
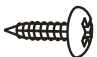


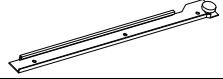





**Thank you for your purchase.
Please contact us if you have difficulty with assembly
or need replacement parts.
Bonnlo Customer Service team is here to assist you.
Here is how we can connect:
Email: support@bonnlo.com**

Components

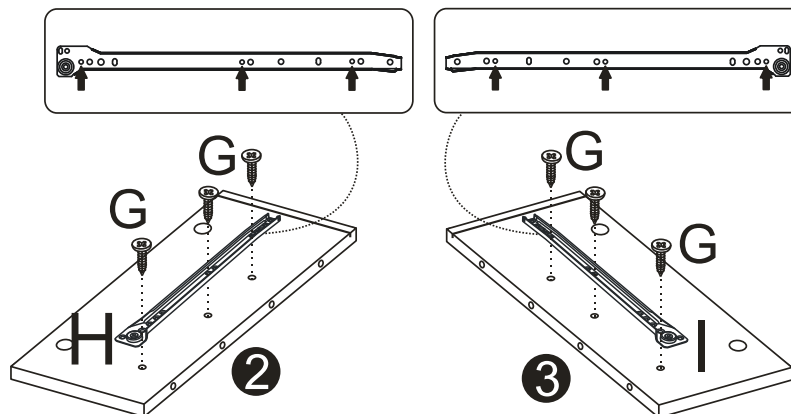


NO	QTY	DESCRIPTION
1	1PC	TOP BOARD
2	1PC	LEFT SIDE PANEL
3	1PC	RIGHT SIDE PANEL
4	1PC	BACK PANEL
5	1PC	BOTTOM BOARD
6	4PCS	LEG
7	1PC	DRAWER BOTTOM BOARD
8	1PC	DRAWER FRONT BOARD
9	1PC	DRAWER LEFT SIDE PANEL
10	1PC	DRAWER RIGHT SIDE PANEL
11	1PC	DRAWER BACK BOARD

NO	PARTS	QTY	DESCRIPTION
A		8PCS	CAM BOLT
B		8PCS	CAM LOCK
C		8PCS	WOOD DOWEL
D		8PCS	SCREW
E		4PCS	METAL BACK-UP PLATE
F		20PCS	SCREW
G		12PCS	SCREW
H		1PC	LEFT SLIDE RAIL SUPPORT
I		1PC	RIGHT SLIDE RAIL SUPPORT
J		1PC	RIGHT SLIDE RAIL
K		1PC	LEFT SLIDE RAIL
L		4PCS	MAT

**TOOLS NEEDED FOR ASSEMBLY: FLAT & PHILIPS SCREWDRIVER (NOT INCLUDED)
THE USE OF POWER SCREWDRIVER IS NOT RECOMMENDED**

STEP 1



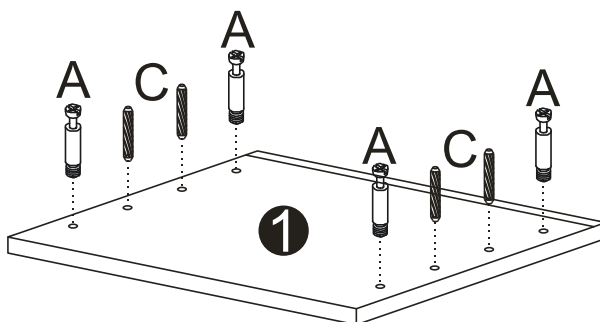
STEP 1

1. Notice: Please make sure that two slide rail supports are correctly assembled on its respective side panel.

2. Attach left slide rail support (H) to left side panel (2) by using screw (G).

3. Attach right slide rail support (I) to right side panel (3) by using screw (G).

STEP 2

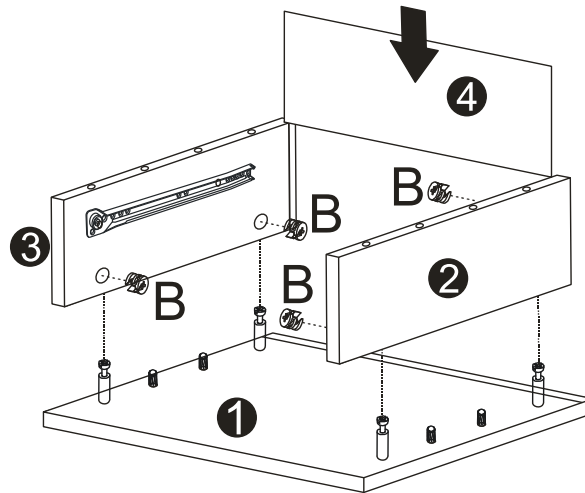


STEP 2

1. Insert cam bolt (A) to the top board (1).

2. Insert wood dowel (C) to the top board (1).

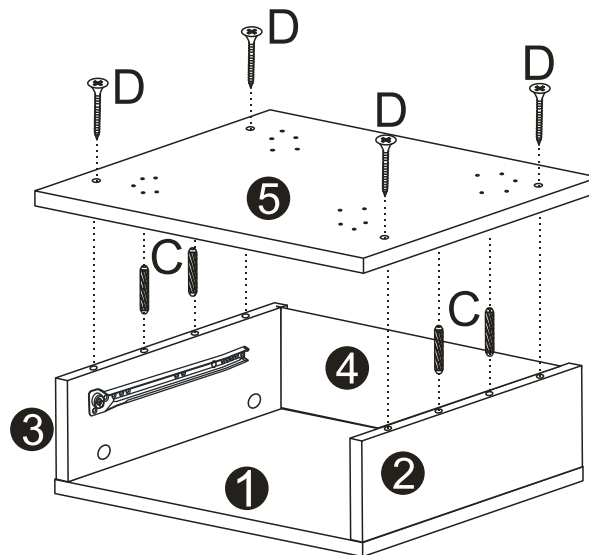
STEP 3



STEP 3

1. Connect top board (1) with left side panel (2) and right side panel (3) by using cam lock (B).
2. Insert back panel (4) between two side panels along the slot.

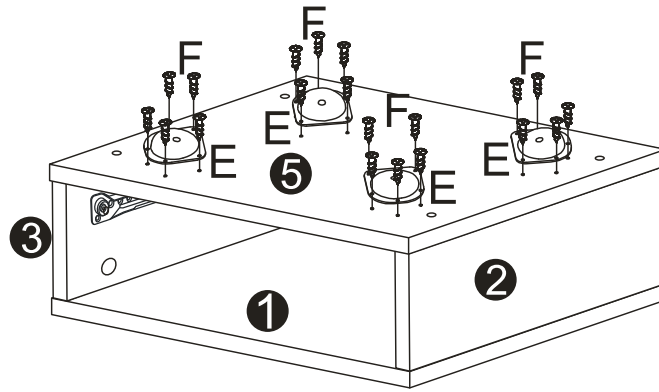
STEP 4



STEP 4

1. Insert wood dowel (C) to left side panel (2) and right side panel (3).
2. Use screw (D) to connect bottom board (5) with two side panels (2&3) and back panel (4) and please fully tighten the screws.

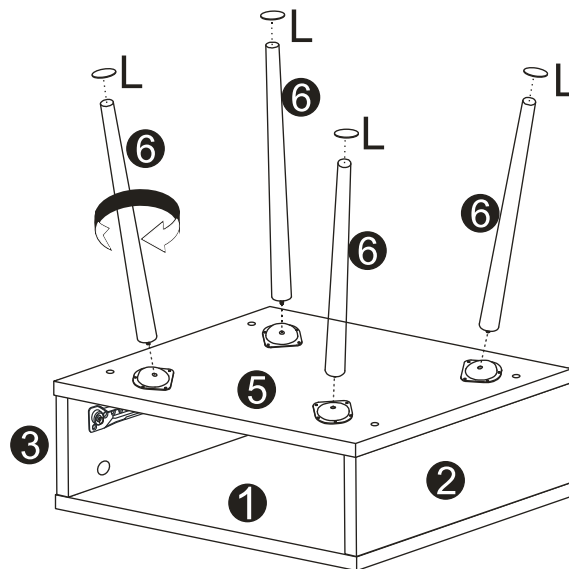
STEP 5



STEP 5

1. Use screw (F) to attach metal back-up plate (E) to bottom board (5) and please fully tighten the screws.

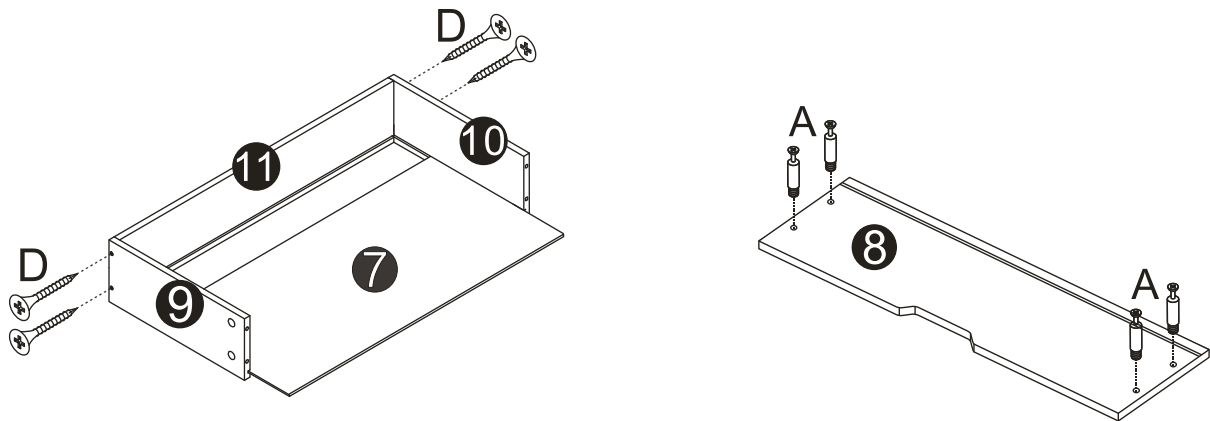
STEP 6



STEP 6

1. Fully tighten the leg (6) with metal back-up plate (E).
2. Attach mat (L) on the tip of leg (6).

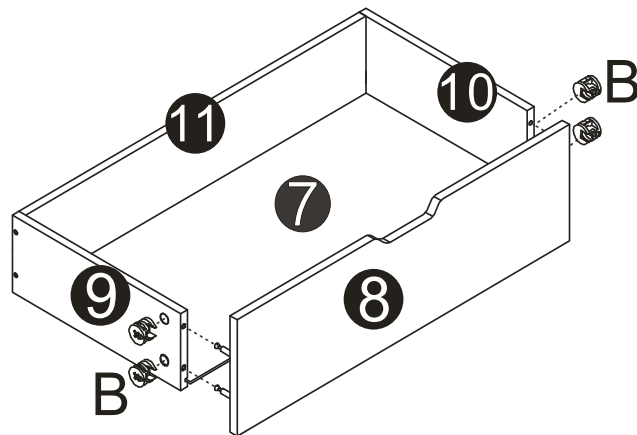
STEP 7



STEP 7

1. Connect two side panels (9&10) with drawer back (11) by using screw (D) and please fully tighten the screws.
2. Insert back panel (7) between two drawer side panels along the slot.
3. Attach cam bolt (A) on drawer front board (8).

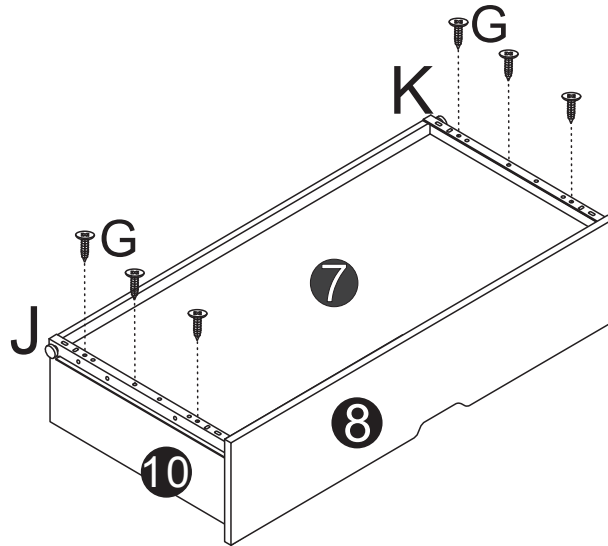
STEP 8



STEP 8

1. Connect drawer front board (8) with two drawer side panels (9&10) by using cam lock (B).

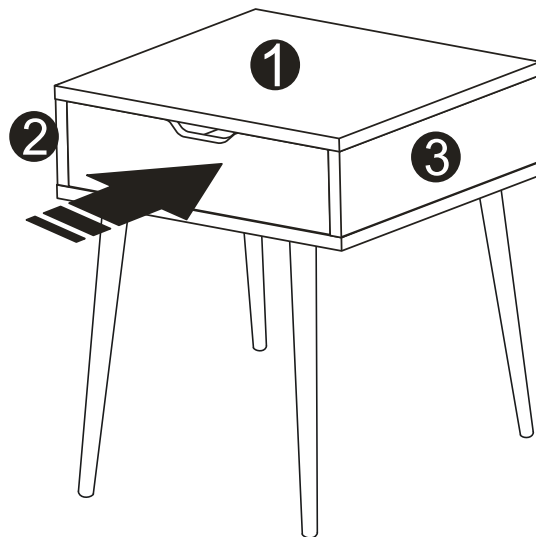
STEP 9



STEP 9

1. Attach right slide rail (J) with drawer right panel (10) by using screw (G).
2. Attach left slide rail (K) with drawer left panel (9) by using screw (G).

STEP 10



STEP 10

1. Attach the drawer into the frame. That's it! You've finished assembling your nesting table.

Dear buyer,

Thank you for your order.

We strive for a high quality product and customer experience.

Again, if there are any issues with the product, please contact with us via the email below, so we can help you and solve your issue within 24 hours.

If you are enjoying your product and have just 2 minutes to spare, will you consider to leave us a review? ★★★★★

Thank you so much.

Sincerely,

Bonnlo



Bonnlo

Bonnlo Customer Service

Email: support@bonnlo.com