



# Assembly Instruction



Thank you for your purchase.

If you have difficulty with assembly or find a part is missing or damaged, please don't hesitate to contact us for solution.

Here is how we can connect:

Email: [Support@vingli.com](mailto:Support@vingli.com)

Facebook: <https://www.facebook.com/vingliDirect/>

# CONTENT

1. Preamble .....	1
2. Part List .....	2
3. Assembly Steps .....	4
4. Warning .....	18
5. FAQs .....	20

## ◆ Preamble

### Guide of Manual

Please read the following instruction carefully and use the product properly.

Please keep this manual and hand it over when you transfer the product.

This summary may not include every detailed information of all variations and considered steps. Please contact us when further information and help needed.

### Before Starting

Recommend no. of people needed for assembly: 2

Read each section carefully before starting. It is very important that each step is performed in the correct order. If these steps are not followed in sequence, assembly difficulties will occur.

Make sure all parts are included. Most board parts are labeled or stamped on the raw edge.

Please assemble the product according to the steps on the diagram strictly. Do not fully tighten the screws until all pieces are situated in place.

For continued use, it's suggested you regularly check the tightness of bolts and connections to ensure safety.

Work in spacious area, preferably on a carpet, near the place the unit will be located.

Have the following tools close at hand.

### Warning

Keep all accessories and packaging of this product away from babies, children and pets as they potentially

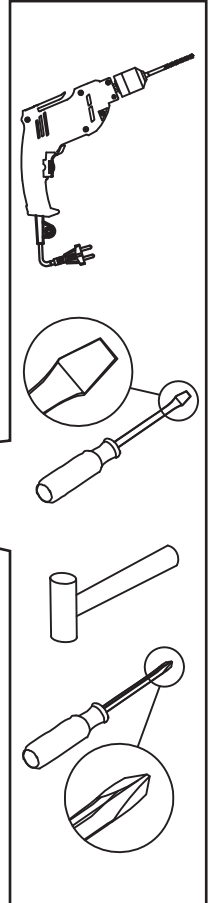
The units contains small parts which could be a choking hazard for small children. Children should be under adult supervision at all times or serious injury could occur.

Do not put the product in a humid environment for a long time to prevent mildew.

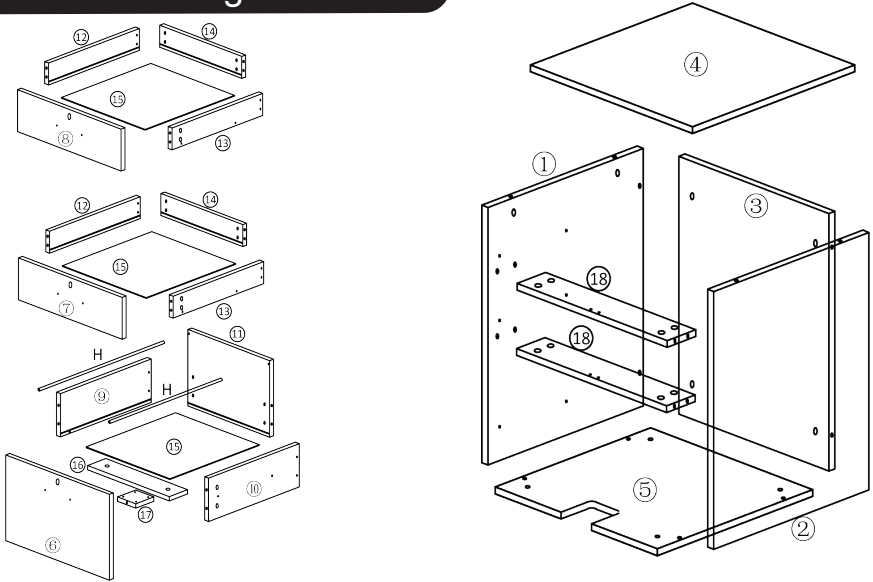
Keep the product away from sharp objects and corrosive chemicals to avoid damage.

Do not overload unit. If any shelf, top, or bottom of units bows or bends, it is overloaded. The shelf, top, or bottom could collapse and cause serious bodily injury and/or damage to personal belongings.

Do not climb or step on the unit. The unit may become unstable and either tip or collapse. Serious bodily injury and/or damage to personal belongings may occur.

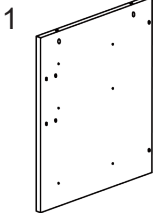


## ◆ Start assembling furniture

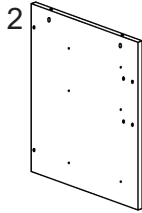


## ◆ Components of furniture

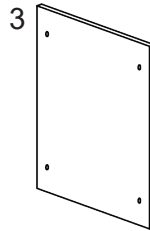
Please check the board number and the hole on the board



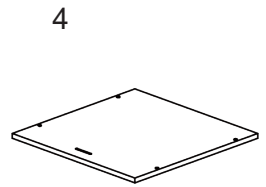
**1**  
LEFT SIDE PANEL  
570x384mm  
QTY:1PC



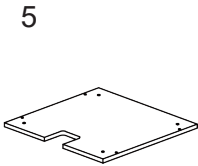
**2**  
RIGHT SIDE PANEL  
570x383mm  
QTY:1PC



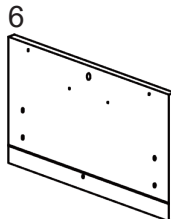
**3**  
BACK PANEL  
570x370mm  
QTY:1PC



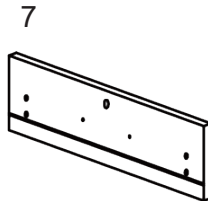
**4**  
TOP PANEL  
400x400mm  
QTY:1PC



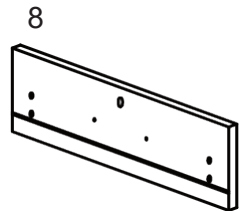
**5**  
BOTTOM PANEL  
400x383mm  
QTY:1PC



**6**  
BOTTOM DRAWER FRONT PANEL  
400x297mm  
QTY:1PC



**7**  
MIDDLE DRAWER FRONT PANEL  
400x145mm  
QTY:1PC



**8**  
TOP DRAWER FRONT PANEL  
400x145mm  
QTY:1PC

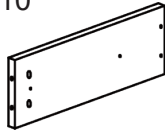
# Part List

9



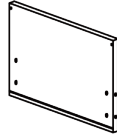
**BOTTOM DRAWER LEFT PANEL**  
350x150mm  
QTY:1PC

10



**BOTTOM DRAWER RIGHT PANEL**  
350x150mm  
QTY:1PC

11



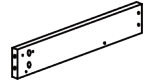
**BOTTOM DRAWER BACK PANEL**  
316x277mm  
QTY:1PC

12



**TOP/MIDDLE DRAWER LEFT PANEL**  
350x75mm  
QTY:2PCS

13



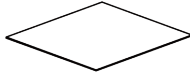
**TOP/MIDDLE DRAWER RIGHT PANEL**  
350X75mm  
QTY:2PCS

14



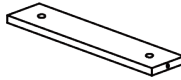
**TOP/MIDDLE DRAWER BACK PANEL**  
316X75mm  
QTY:2PCS

15



**DRAWER BOTTOM PANEL**  
345X323mm  
QTY:3PCS

16



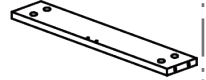
**BOTTOM DRAWER CASTER SUPPORT PANEL**  
315X70mm  
QTY:1PC

17



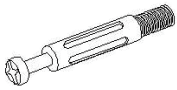
**CASTER STAND**  
70X70mm  
QTY:1PC

18



**DRAWER SEPARATOR PANEL**  
370X70mm  
QTY:2PC

## ◆ Hardware accessories



**A1** | 30PCS

A1: CAM BOLT



**A2** | 30PCS

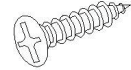
A2: CAM LOCK



M5X50mm

**B** | 12PCS

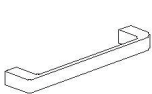
B: SCREW



M3.5X12mm

**C** | 43PCS

C: SCREW



**D** | 3PCS

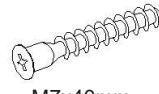
D: HANDLE



M4X18mm

**E** | 6PCS

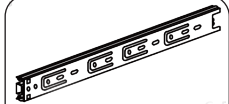
E: HANDLE SCREW



M7x40mm

**F** | 4PCS

F: SCREW



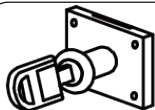
**G** | 6PCS

G: DRAWER SLIDE



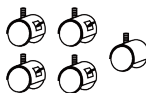
**H** | 2PCS

H: FILE FOLDER SUPPORT BAR



**I** | 3PC

I: LOCK



**J** | 1PCS

J: CASTERS



M3.5x25mm

**K** | 4PCS

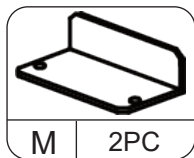
K: SCREW



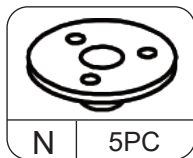
**L** | 1PC

L: WOOD DOWEL

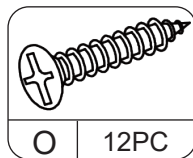
## Assembly Steps



M: LOCK LATCH

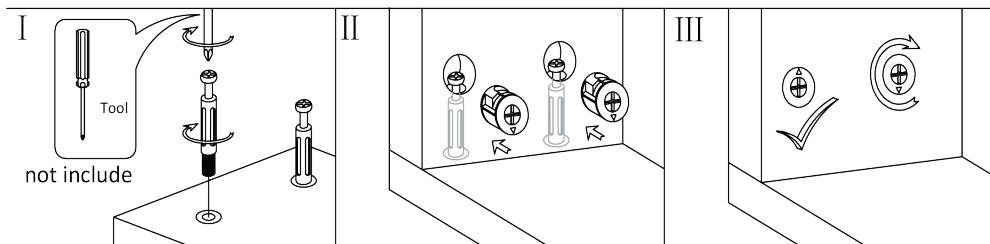


N: CASTER PLATE

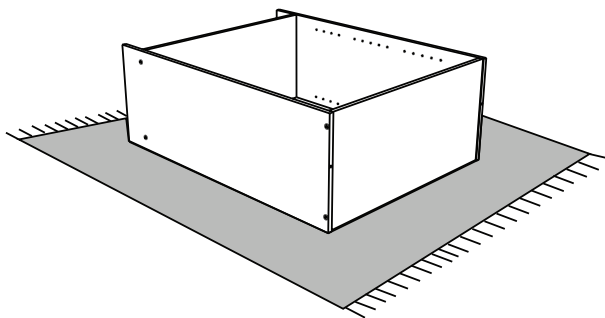
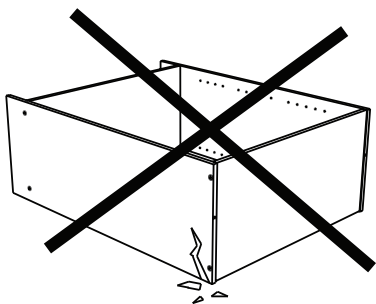


O: SCREW

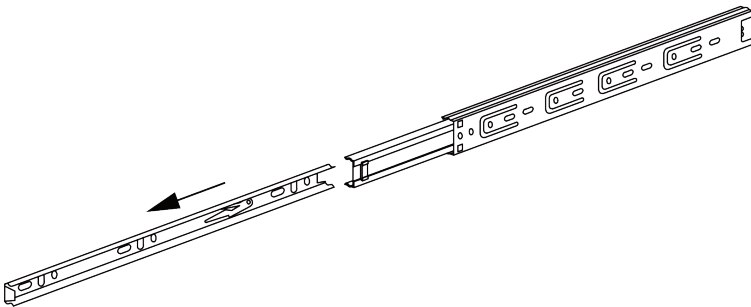
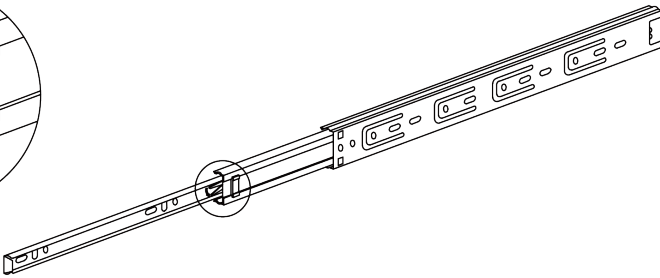
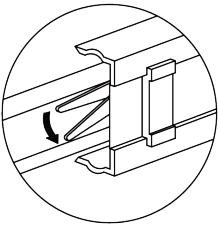
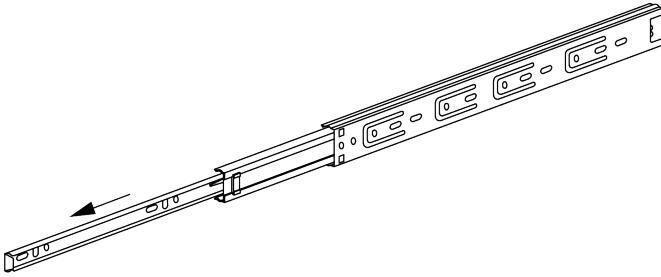
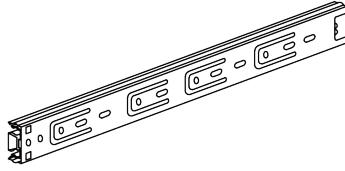
◆ This illustration shows how the CAM fastening system works.



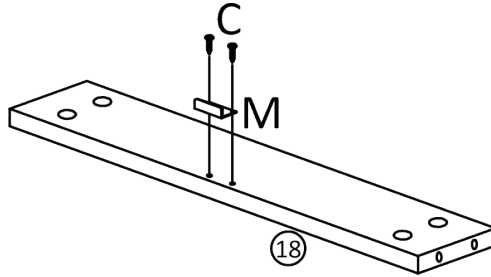
◆ We recommend you assemble on a soft surface to avoid damage to the unit or surface.



"G" Hardware disassembly example

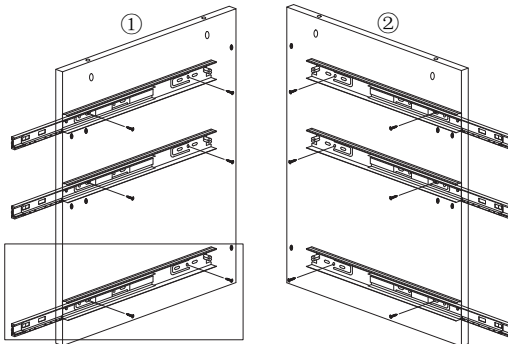
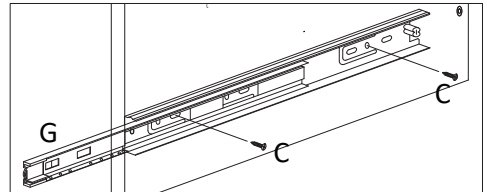
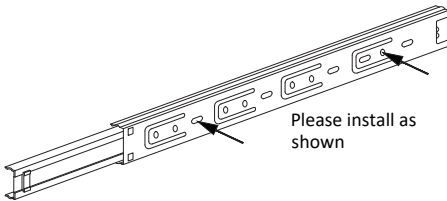


## STEP 1 Using screw C to fix M on Panel 18



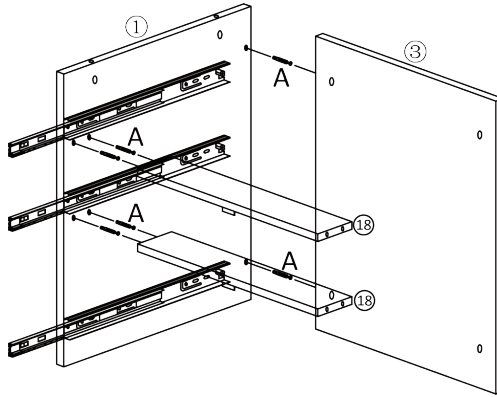
## STEP 2 As shown in illustration, put screw C through the marked holes and fix Drawer Slide G on Panel 1 and 2

Tips: The guideholes may be small, please look carefully, they are there

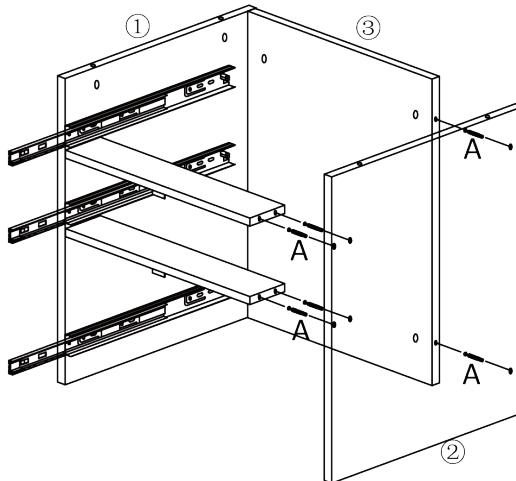




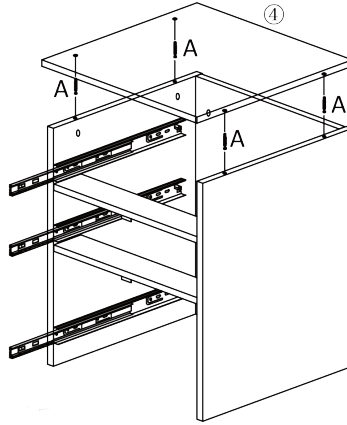
**STEP 3** Connect 2 pcs panel 18 with panel 1 by tightening cam bolt A1, and connect panel 3 with panel 1 by tightening cam lock A2. (Note: For panel 18, the side with M should face down, and on Front)



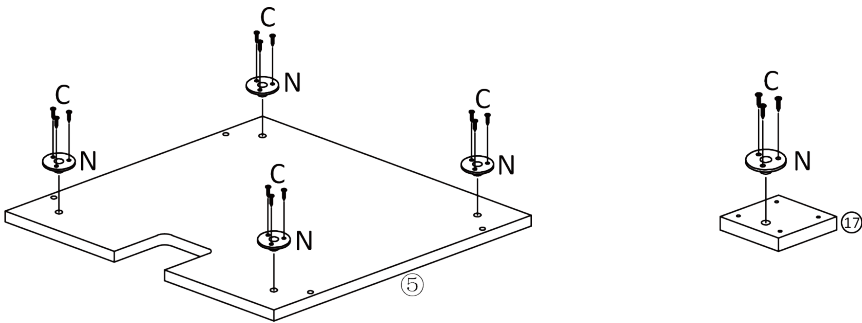
**STEP 4** Connect 2 pcs panel 18 with panel 2 by tightening cam bolt A1, and connect panel 2 with panel 3 by tightening cam lock A2.



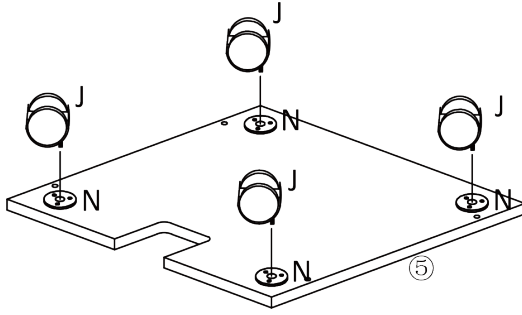
**STEP 5** Use bolt A tighten connect panel 4 with panel 1 and 2, pay attention to distinguish the front and backside of panel 4 (holes on the front)



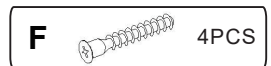
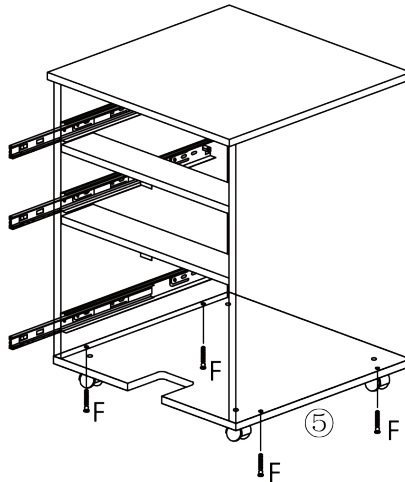
**STEP 6** Embed N in the holes of panel 5 and 17, pay attention to the hole position in illustration, be sure to fit N with the board surface, then tighten with screw C



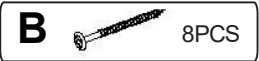
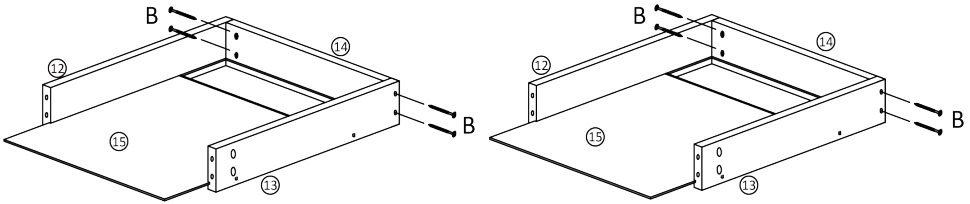
**STEP 7** Drive roller J in installed N. Note: Please fully tighten all the rollers, or the cabinet will be uneven.



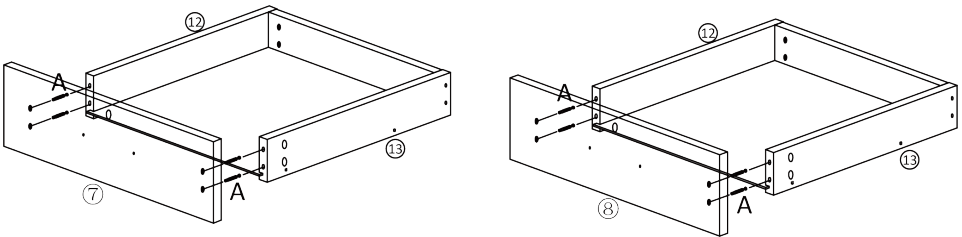
**STEP 8** Use screw F to fix panel 5 under panel 1 and 2, the side with roller J should face down



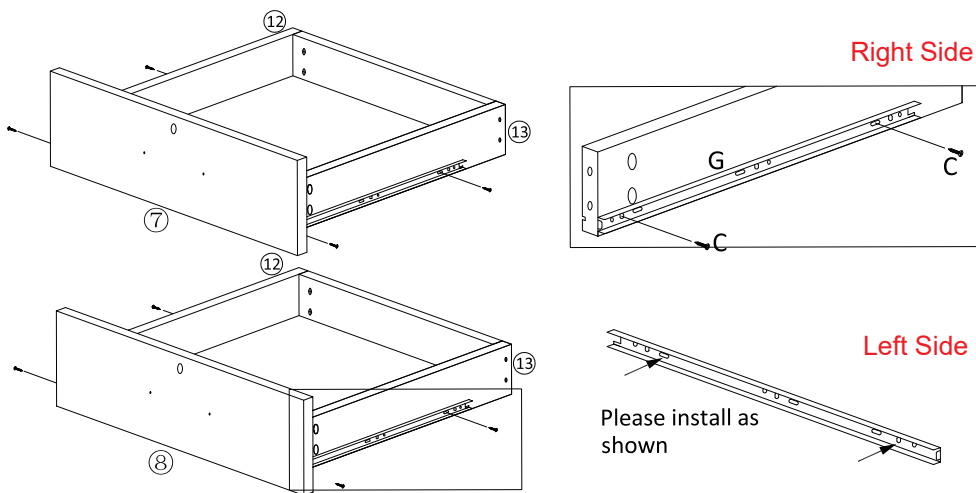
**STEP 9** Use screw B connect panel 12 and 13 with 14, then embed panel 15 in the notch of panel 12, 13 and 14.



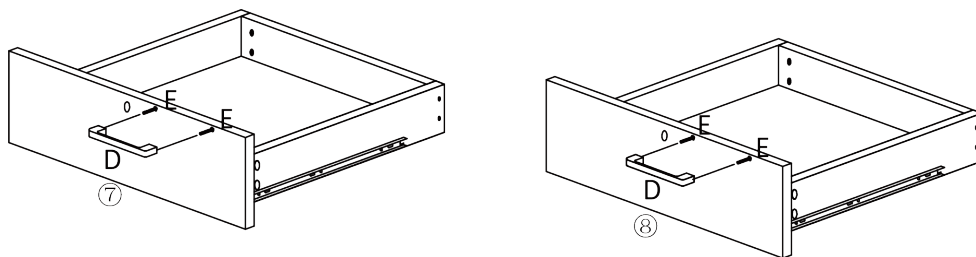
**STEP 10** Use bolt A connect panel 7 or panel 8 with the front end side of panel 12 and 13, and embed panel 15 in the notch of panel 7 or 8 for making panel 12 and 13 fit in panel 7 or panel 8



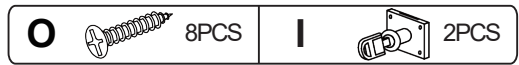
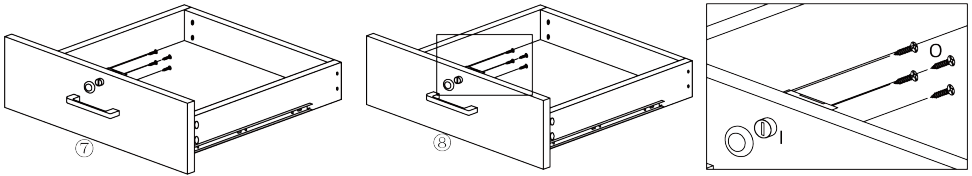
**STEP 11** Follow those marked hole position, using screw C to fix G on the side of panel 12 and 13, the front end of G should fit in panel 7 or 8



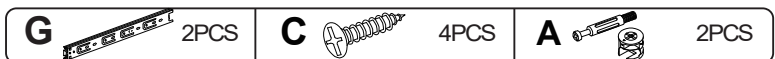
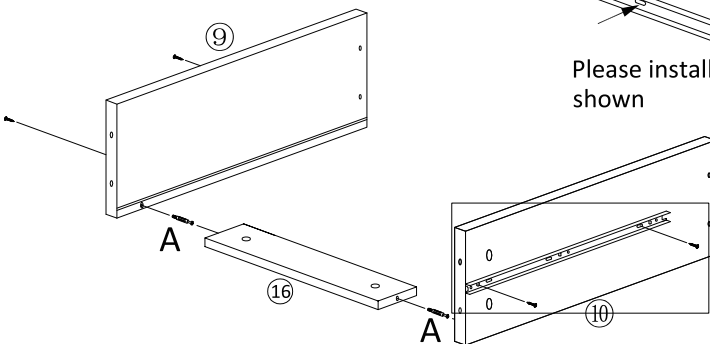
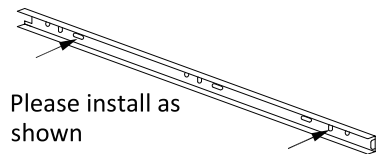
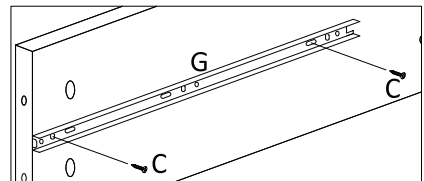
**STEP 12** Put E through the hole of panel 7 or 8 and connect with D



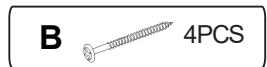
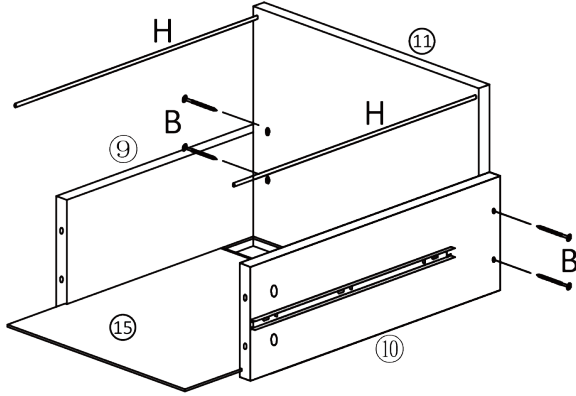
**STEP 13** First, take the lock ring off from I. Next put I through panel 7 or 8, fix outside by the lock ring, keep the side with latch upward, and then use screw O to fix inside



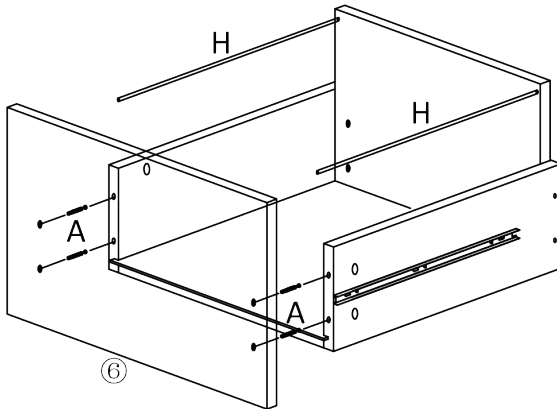
**STEP 14** Follow the illustration's marked hole position, use A to connect panel 16 with panel 9 and 10, and then use screw C to fix G on the outside of panel 9 and 10, the front ending of G should be aligned with front ending of 9 and 10



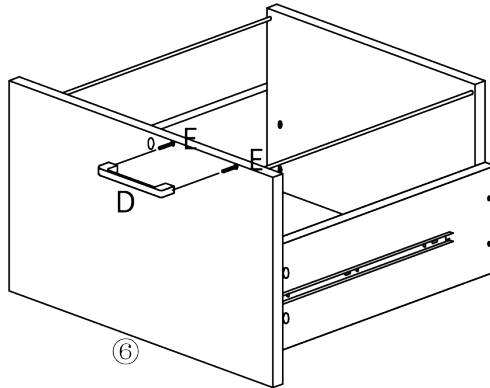
**STEP 15** Use screw B to connect panel 11 with panel 9 and 10, embed panel 15 in the notch of panel 9,10 and 11, after that, embed H in the hole of panel 11.



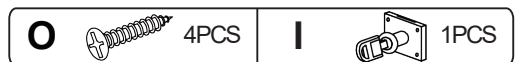
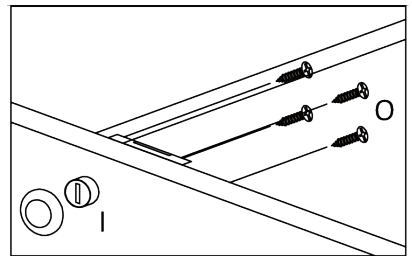
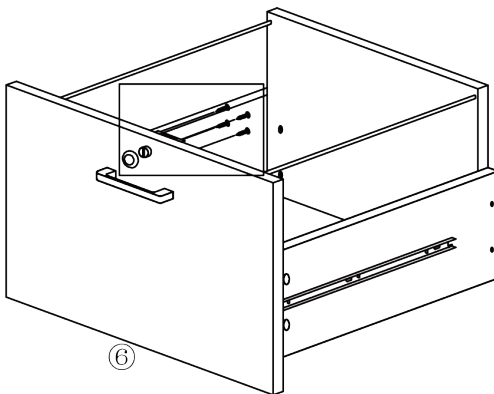
**STEP 16** Use bolt A to connect panel 6 with panel 9 and 10. Note: panel 15 should embed in the notch of panel 6, and H should embed in the hole of panel 6



**STEP 17** Put through the hole of panel 6 and connect with D

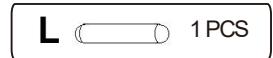
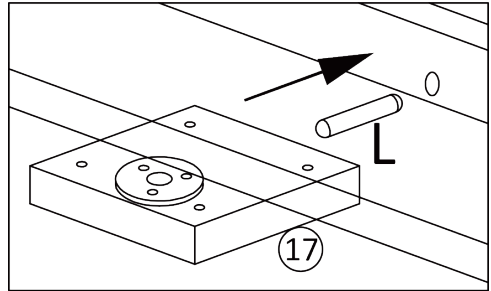
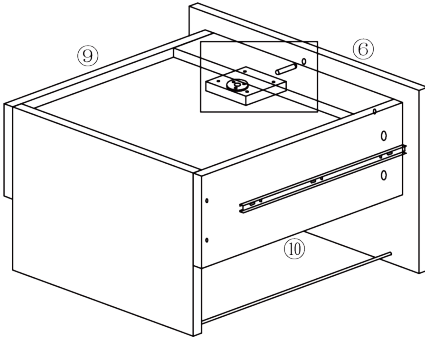


**STEP 18** First, take the lock ring off from I. Next put I through panel 6, fix outside by the lock ring, keep the side with latch upward, and then use screw o to fix inside

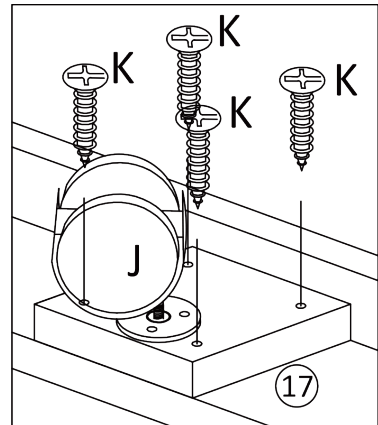
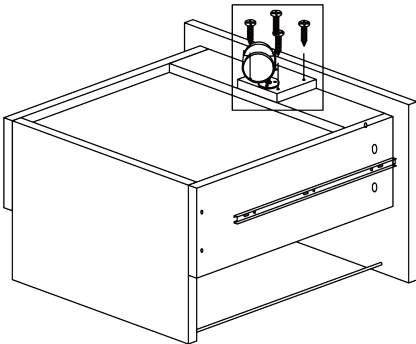




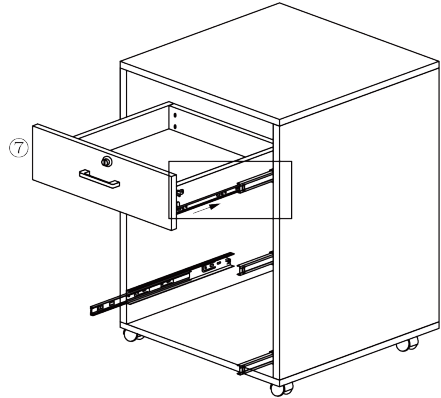
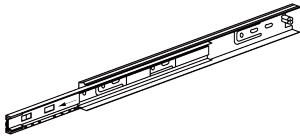
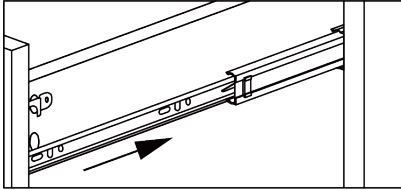
**STEP 19** Connect panel 7 to panel 6 with wood dowel L



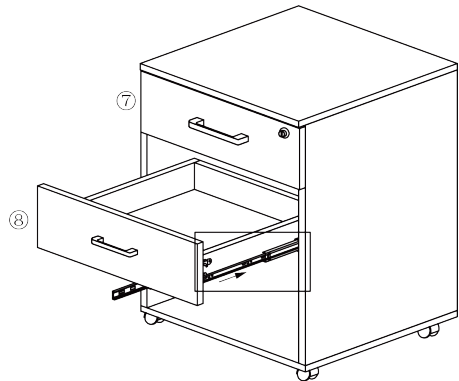
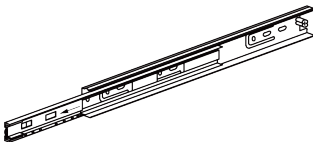
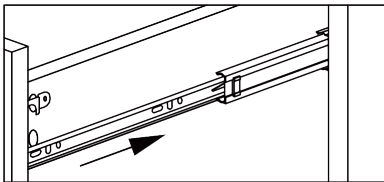
**STEP 20** Put screw K through panel 17 and screw in panel 16, and then screw roller J in N(has been installed in panel 17 at STEP 6).



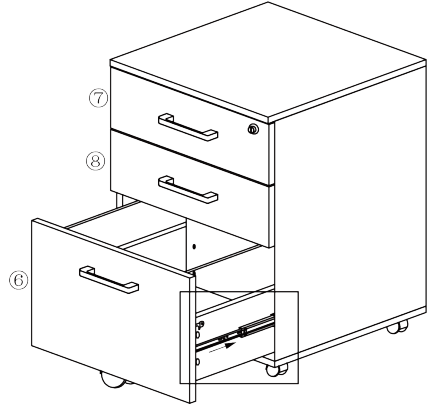
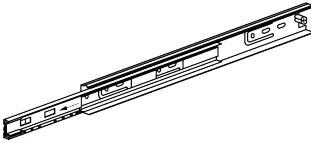
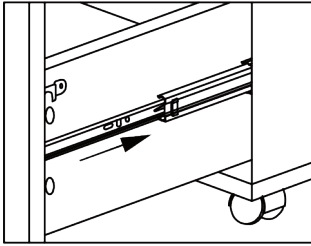
**STEP 21** Show as illustration, pull out the G first, the slide ball was also pulled to the front side, then fit the slide of panel 7 with G and then embed. Notice: if the slide on panel 7 has not fit well with G, may cause G damaged.



**STEP 22** Show as illustration, pull out the G first, the slide ball was also pulled to the front side, then fit the slide of panel 8 with Gand then embed. Notice: if the slide on panel 8 has not fit well with G, may cause G damaged.

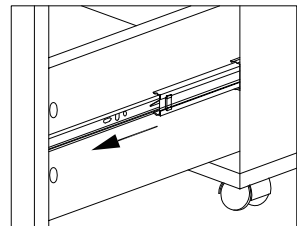
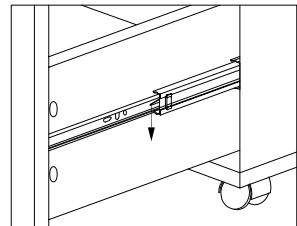
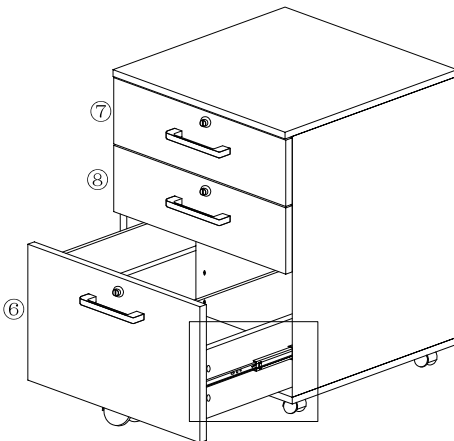


**STEP 23** As illustration shown, pull out the G first, the slide ball was also pulled to the front side, then fit the slide of panel 6 with G and then embed. Notice if the slide on panel 6 has not fit well with G, may cause G damaged.

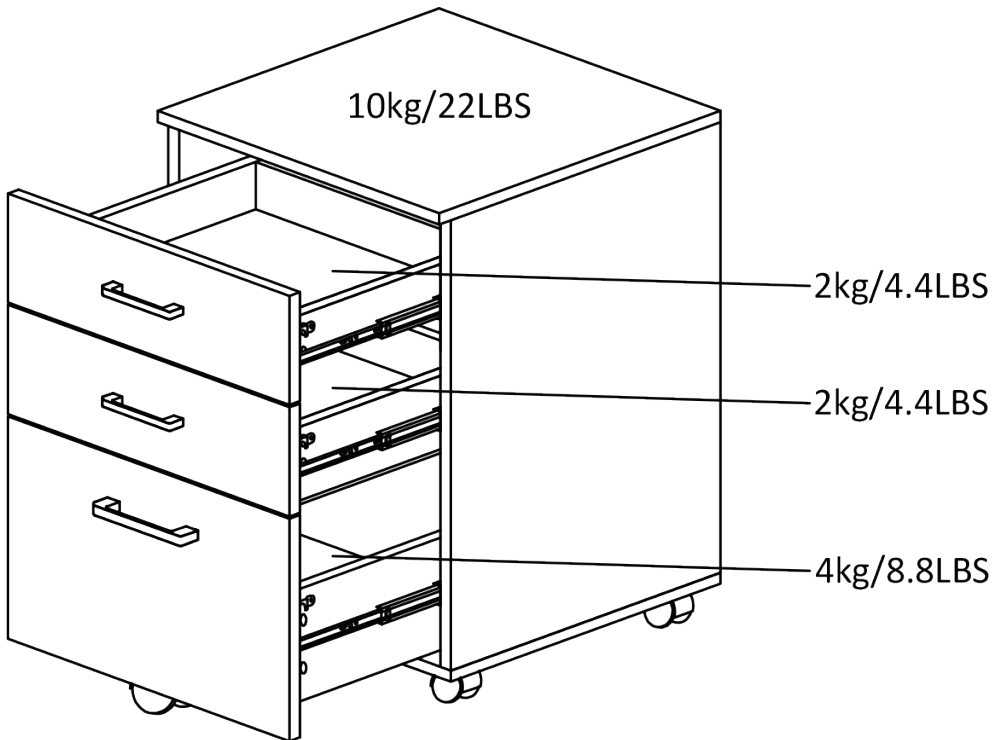


## Guide to release the drawer after assembly

Pinch the release button on the slides (Left Side Up and Right Side Down) and then take out the entire drawer



## WEIGHT LIMITS:



Enjoy your furniture!

This unit has been designed to support the maximum loads shown.

Exceeding these load limits could cause sagging, instability, product collapse, and/or serious injury.

 **WARNING**

Please make sure that all panels are attached securely. All nails must be driven into the parts straight and tightened firmly. Failure to do so could cause instability, product collapse, and/or serious injury.

To prevent tipover:

- ◆ Place heaviest items in the lowest drawers.
- ◆ Unless specifically designed to accommodate, do not set TVs or other heavy objects on the top of this product.
- ◆ Never allow children to climb or hang on drawers.
- ◆ Never open more than one drawer at a time.

## **1 What should I do when I received a defected item?**

Please feel free to contact VINGLI customer service via the link where you purchased this item with your order ID, picture of defective part to us. We are eager to help you to make it right.

---

## **2 Is it easy to put the screws to the panels?**

Yes. As long as you follow the instruction and use the correct screws and put it in correct holes, it is easy to screw it into pre-drilled holes.

---

## **3 How to install the drawer slides?**

Please follow the step 2, 11, 14 on the instruction. Pay more attention to align the holes on the slides with the holes on the panel.

---

## **4 How to install the drawers?**

Please follow the step 21-22 on the instruction. Keep the drawer level and then insert it with the slides aligned. If the slides doesn' t run smoothly, please check if the slides and panels are installed correctly.

---

## **5 What should I do if the drawer can not be closed?**

This problem lies in drawer slides probably. Please release the entire drawer by pinching the little release tongue according to the manual if the drawer slides are damaged or wrong assembled.

---

## **6 How to adjust if the drawer doesn' t lock?**

Please double check if you use the correct key. The keys are different for three drawers. If the lock is defective, please contact our customer service for a replacement