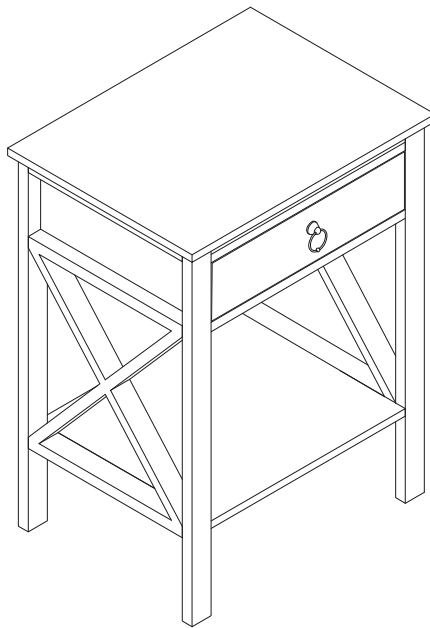




## Assembly Instruction



Thank you for your purchase.

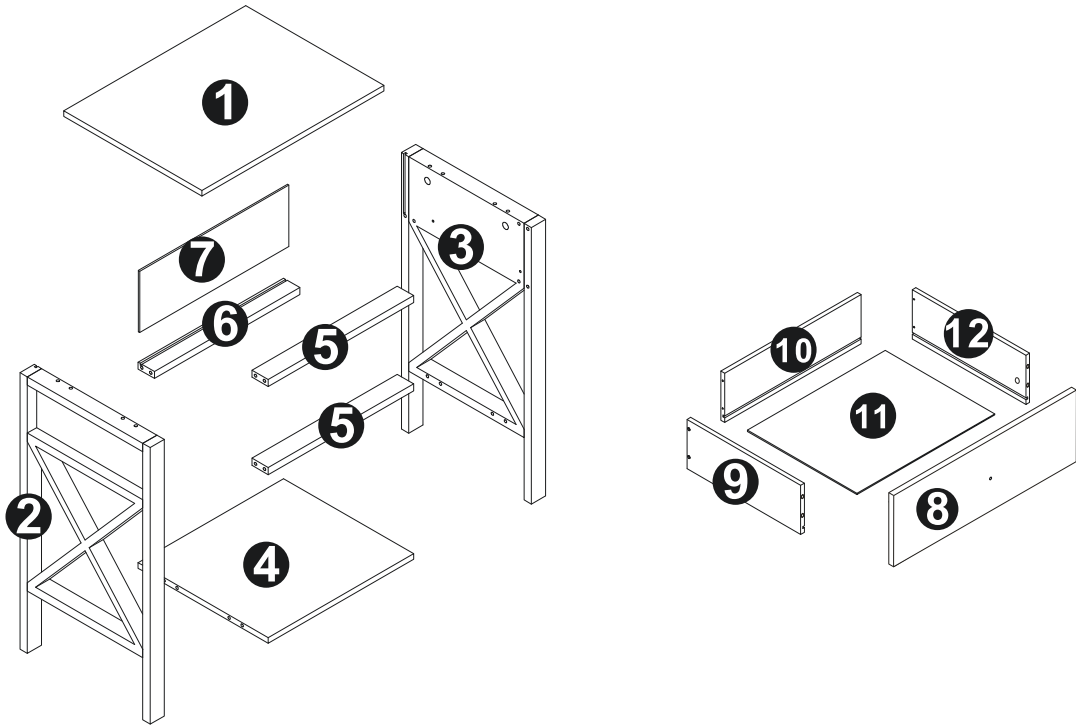
If you have difficulty with assembly or find a part is missing or damaged, please don't hesitate to contact us for solution.

Bonnlo Customer Service team will work hard to put a smile back on your face.










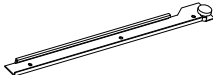

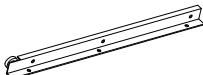


Here is how we can connect:

Email: [Support@bonnlo.com](mailto:Support@bonnlo.com)

# Components

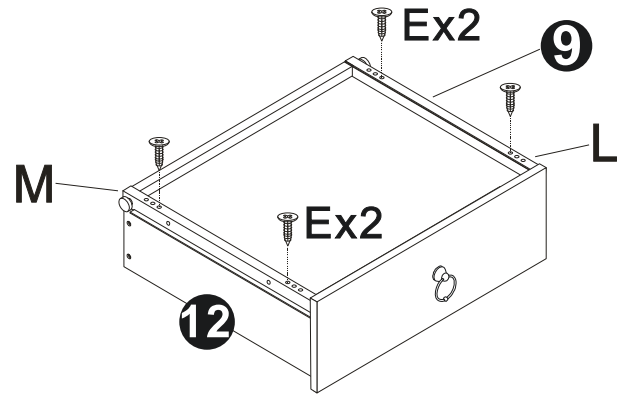
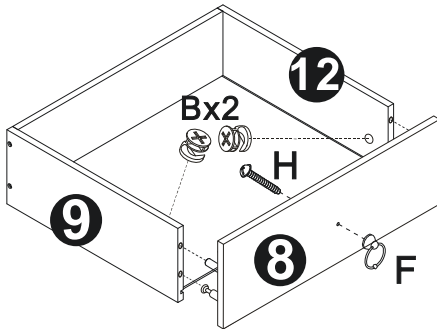
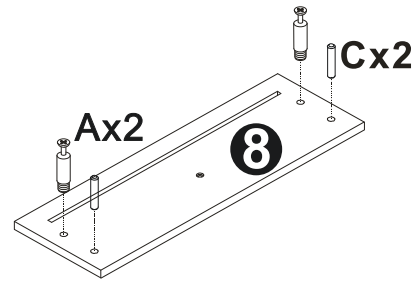
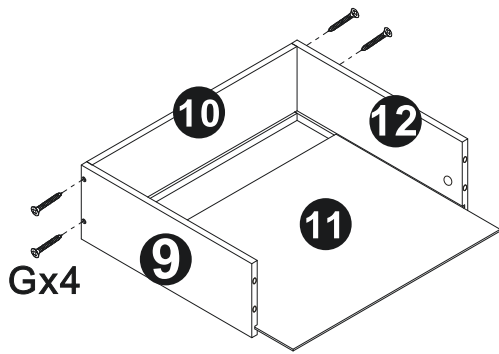


NO	QTY	DESCRIPTION
1	1PC	TOP BOARD
2	1PC	LEFT SIDE PANEL
3	1PC	RIGHT SIDE PANEL
4	1PC	BOTTOM BOARD
5	2PCS	CROSS BAR
6	1PC	CROSS BAR
7	1PC	BACK PANEL
8	1PC	DRAWER FRONT BOARD
9	1PC	DRAWER LEFT SIDE PANEL
10	1PC	DRAWER BACK BOARD
11	1PC	DRAWER BOTTOM BOARD
12	1PC	DRAWER RIGHT SIDE PANEL

NO	PARTS	QTY	DESCRIPTION
A		10PCS	CAM BOLT
B		10PCS	CAM LOCK
C		22PCS	WOOD DOWEL
D		4PCS	MAT
E		8PCS	SCREW
F		1PC	KNOB
G		4PCS	SCREW
H		1PC	SCREW
J		1PC	LEFT SLIDE RAIL SUPPORT
K		1PC	RIGHT SLIDE RAIL SUPPORT
L		1PC	LEFT SLIDE RAIL
M		1PC	RIGHT SLIDE RAIL
N		4PCS	BACK PANEL BRACKET
O		4PCS	SCREW

**TOOLS NEEDED FOR ASSEMBLY: FLAT & PHILIPS SCREWDRIVER (NOT INCLUDED)  
THE USE OF POWER SCREWDRIVER IS NOT RECOMMENDED**

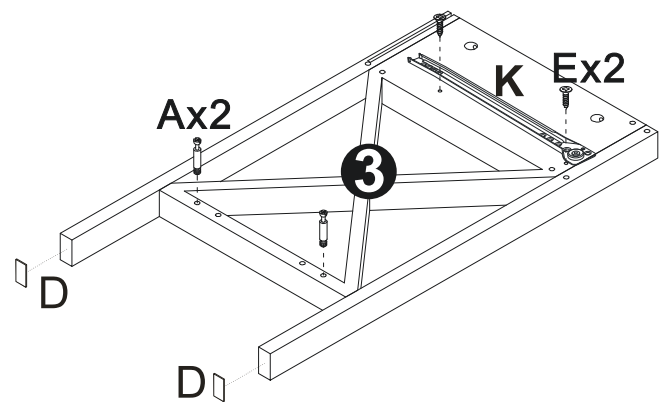
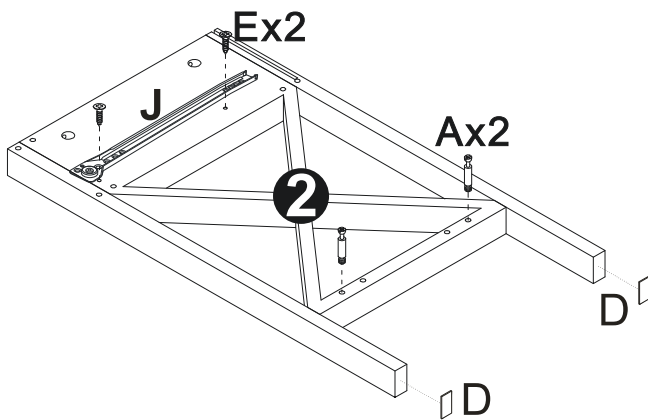
# STEP 1



# STEP 1

1. Use screw (G) to connect drawer left side panel (9), drawer back board (10), drawer bottom board (11) and drawer right side panel together as shown.
2. Insert cam bolt (A) and wood dowel (C) to the drawer front board (8)
3. Connect drawer front board (8) to the side panel (8 & 9), and use the cam lock (B) to lock the screw.
4. Use the screw (H) inside the drawer to tighten the handle (F)
5. Attach the left side rail (L) to the drawer left side panel (9) and tighten them with screw (E), Attach the left side rail (M) to the drawer left side panel (12) and tighten them with screw (E)

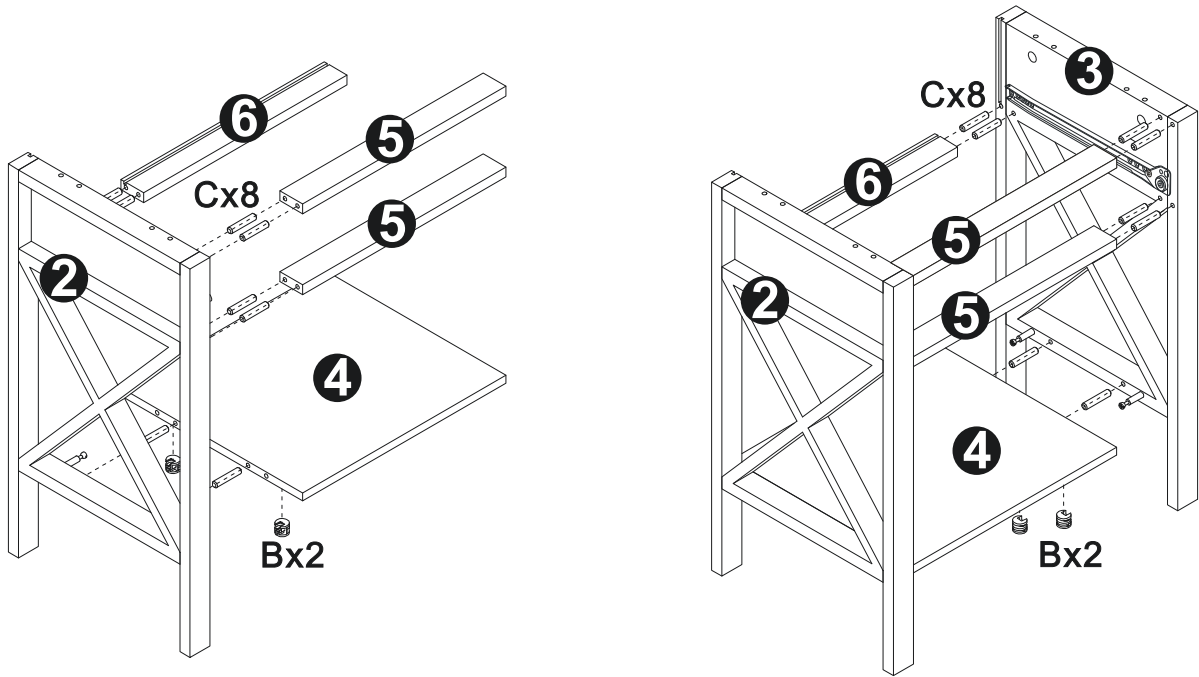
# STEP 2



# STEP 2

1. Insert screw (A) to the left side panel(2), and using screw(E) to tighten the left slide rail support (J) to left side panel (2)
2. Insert screw (A) to the right side panel(3), and using screw(E) to tighten the right slide rail support(K) to right side panel (3)
3. Attach Mat (D) to the side panel (2&3)

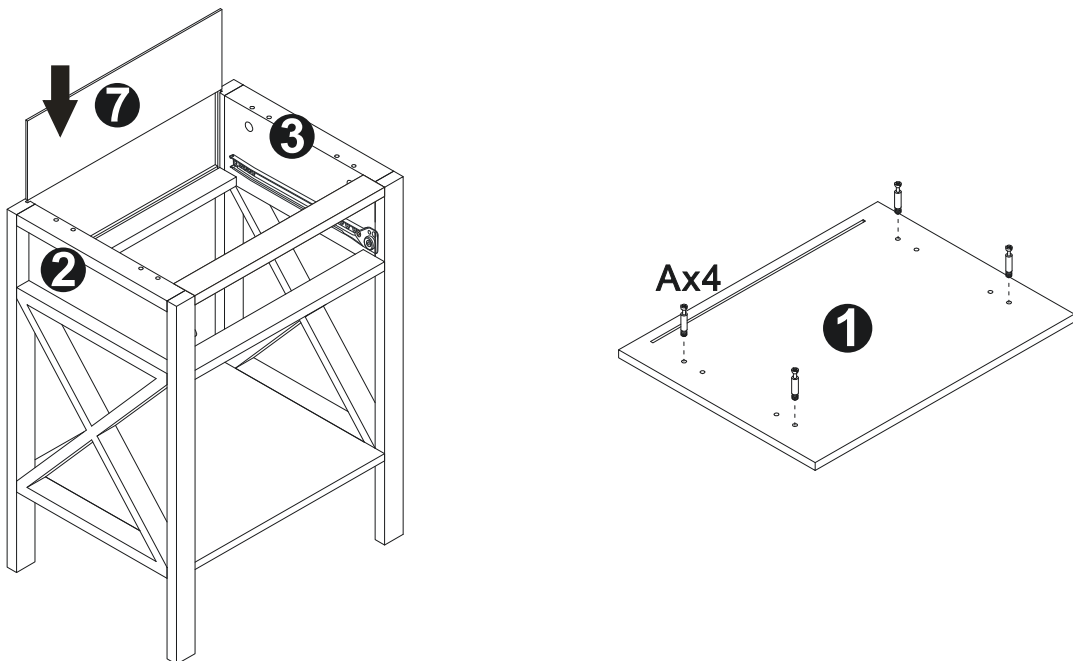
## STEP 3



## STEP 3

1. Use wood dowel (C) to connect cross bar(5&6) to the left side panel (2)
2. Connect bottom board (4) to left side panel (2) using cam bolt(A) and wood dowel (C), then use cam lock(B) to tighten the screw.
3. Attach the right side panel (3) with cross bar(5&6) using wood dowel(C)
4. Connect right side panel (3) bottom board (4) with wood dowel(C) and cam bolt (A) and tighten with cam lock (B) as pictures shown.

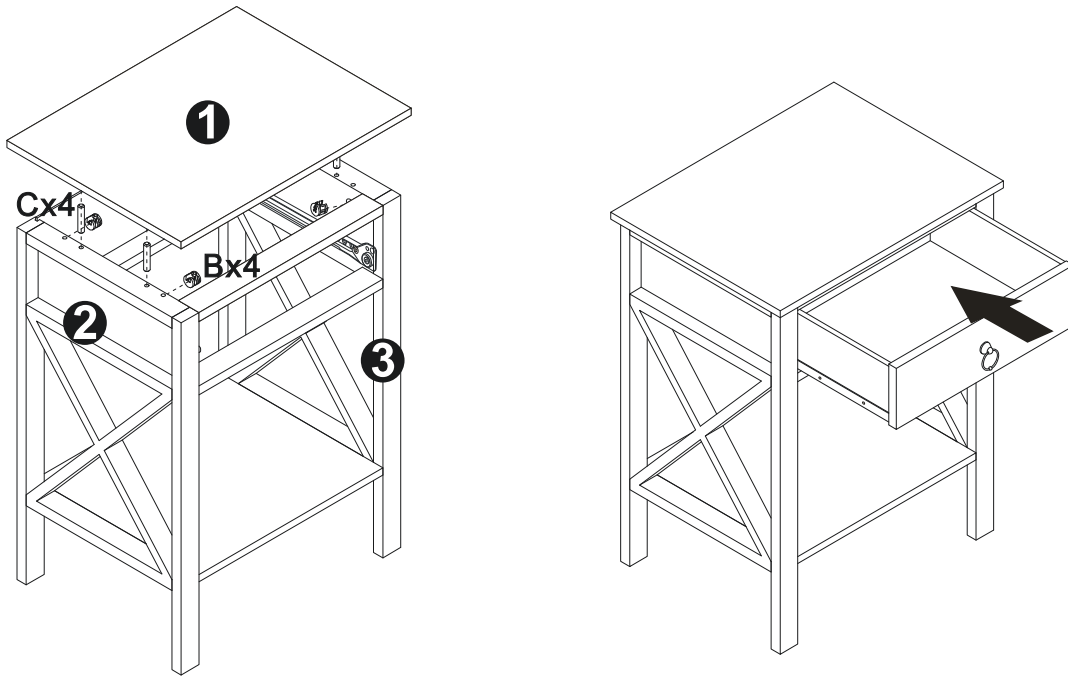
## STEP 4



## STEP 4

1. Attach back panel (7) with left side panel(2) and right side panel(3)
2. Insert cam bolt(A) to the top board(1)

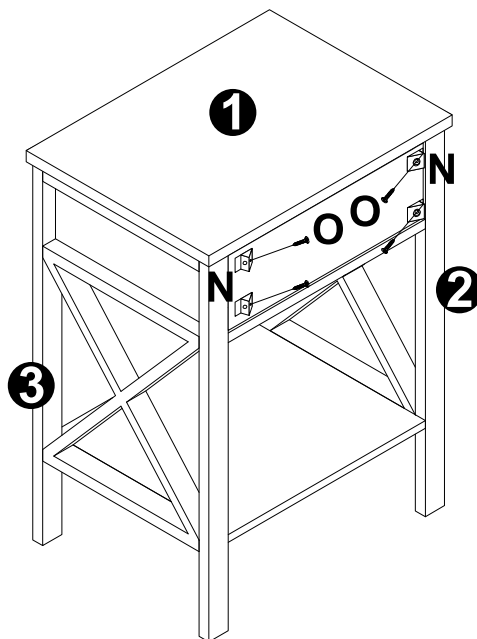
## STEP 5



## STEP 5

1. Insert the wood dowel(C) to the left side panel(2) and right side panel(3)
2. Connect top board(1), left side panel(2) and right side panel(3), and tighten with cam lock(B)
3. Attach the drawer into the frame. That's it! You've finished assembling your nightstand.

## STEP 6



## STEP 6

1. Use screw O to fix back panel bracket N in the crack of the back board.