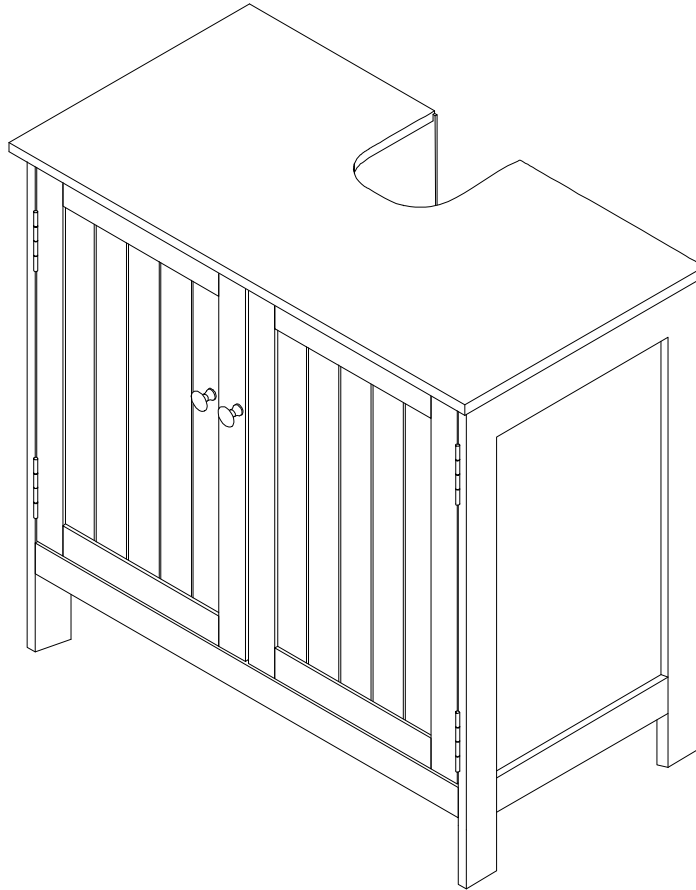


ASSEMBLY INSTRUCTIONS

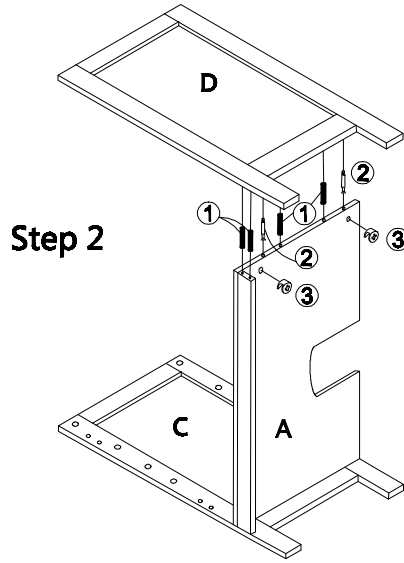
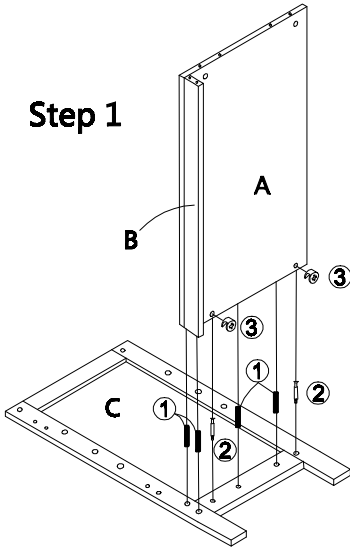


Components:

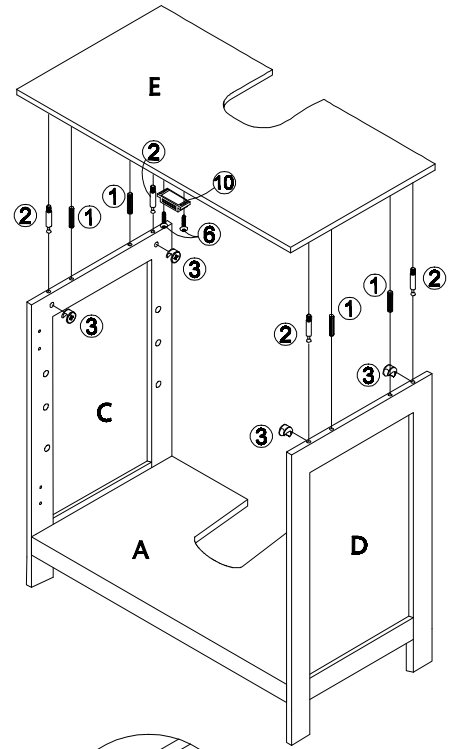
Letter	Draw	Number
A		1 PC
B		1 PC
C		1 PC
D		1 PC
E		1 PC
F		2 PCS
G		1 PC
H		1 PC
I		1 PC

Hardware:

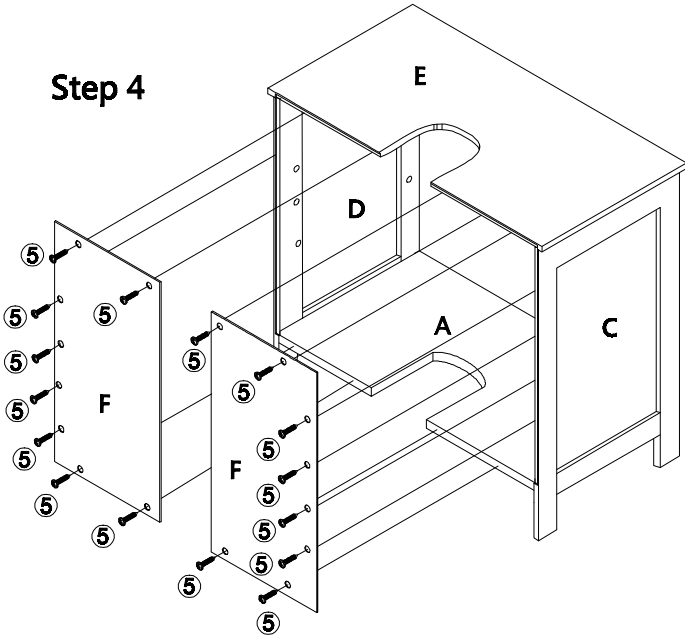
Letter	Draw	Number
1		12 pcs
2		8 pcs
3		8 pcs
4		18 pcs
5		16 pcs
6		2 pcs
7		2 pcs
8		2 pcs
9		4 pcs
10		1 PC
11		2 pcs
12		4 pcs



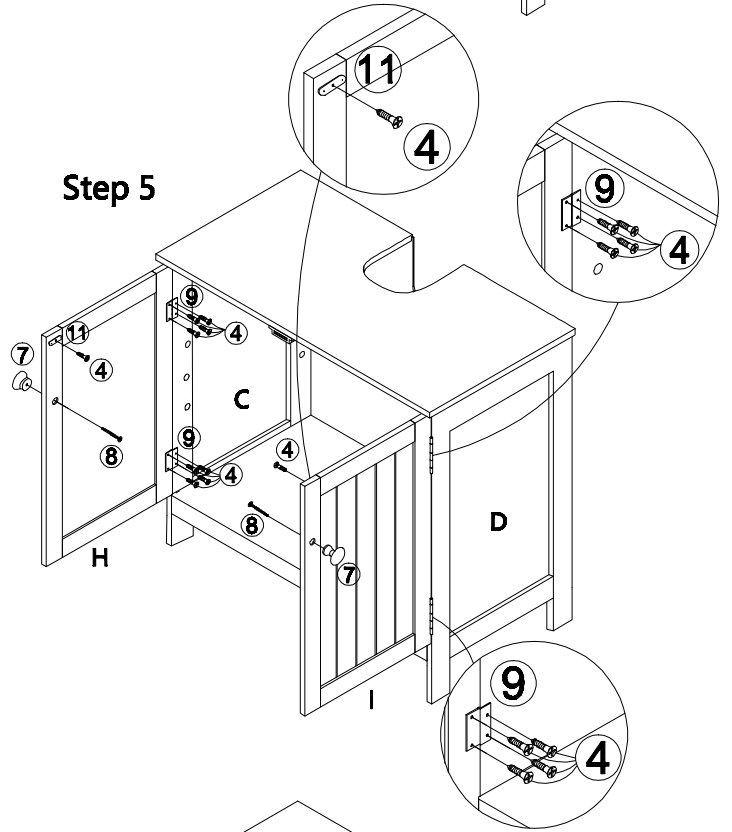
Step 3



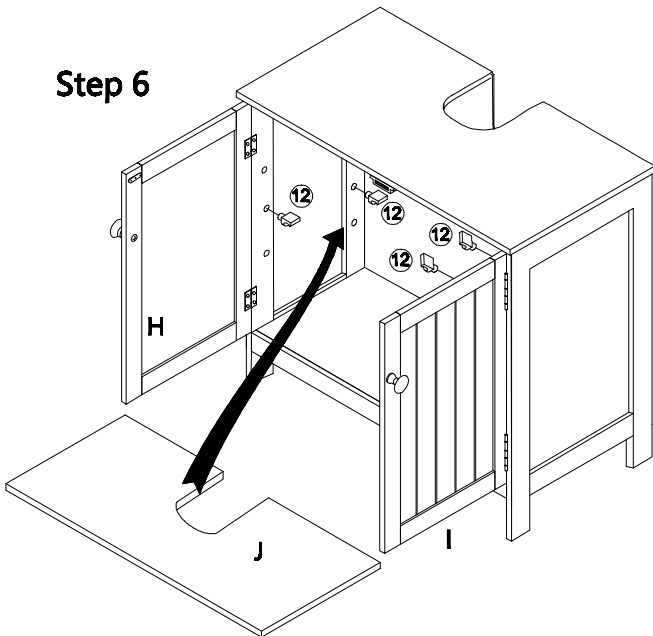
Step 4



Step 5



Step 6



Complete

