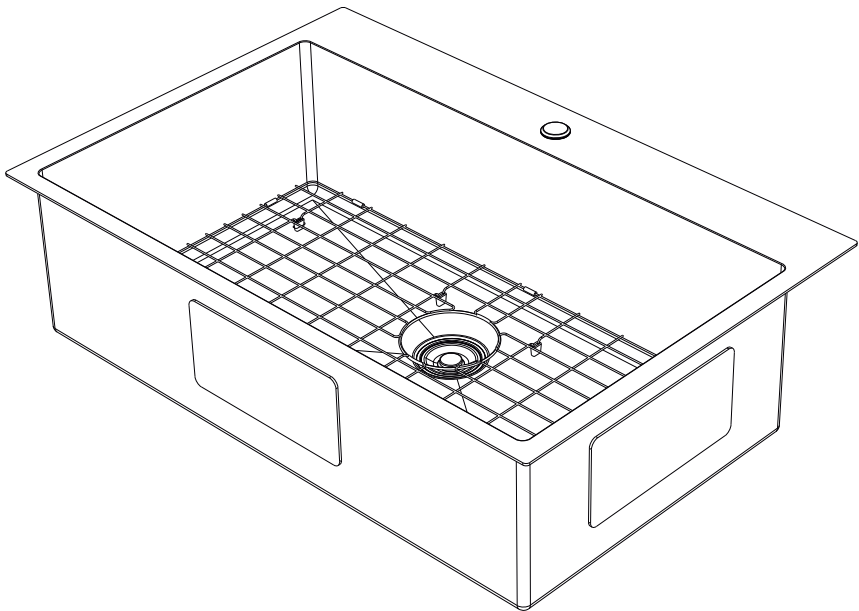




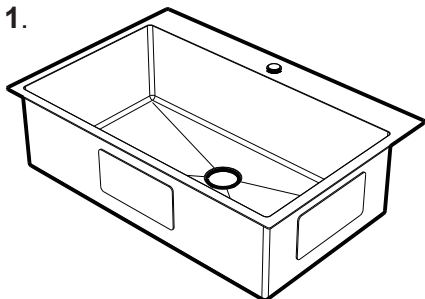
# Bonnlo Kitchen Sink INSTALLATION MANUAL



We would like to take this opportunity to thank you for choosing Bonnlo. We hope that you are completely satisfied with your purchase, and enjoy it for years to come. If you have any questions, or require technical assistance, please contact us at Email: [support@vingli.com](mailto:support@vingli.com) and one of our representatives will be happy to help. Please attach your Order ID so we can assist you better.

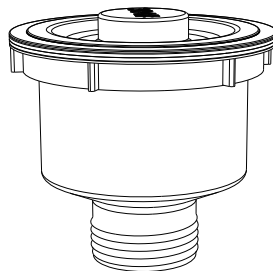
## ◆ PART LIST

1.



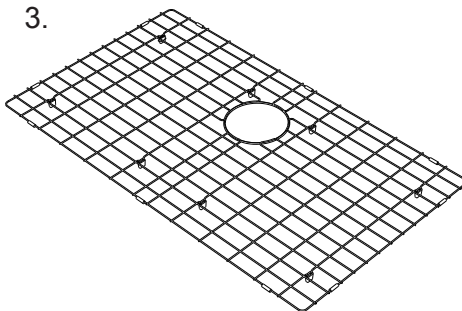
-- Sink --

2.



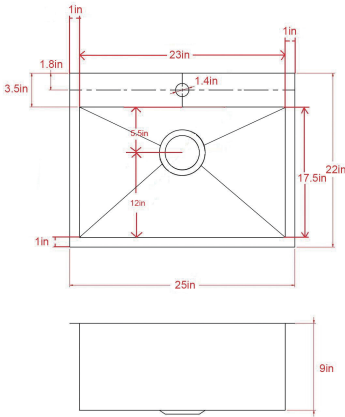
-- Strainer --

3.



-- Bottom Grate --

## ◆ DIMENSIONS



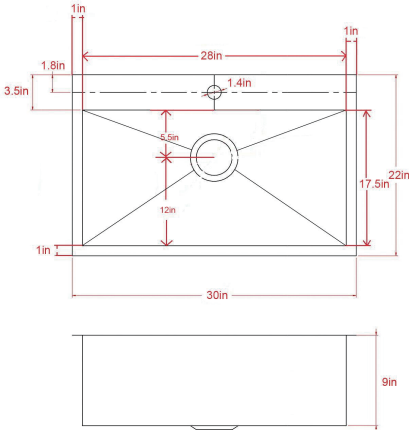
### Model: KS-1B25I

#### Dimensions:

Outside Dimensions 25" x 22" Deep  
 Inside Dimensions 23" x 17.5" Deep  
 US Standard 3 1/2 inch drain strainer

#### Material:

Premium T304 stainless steel



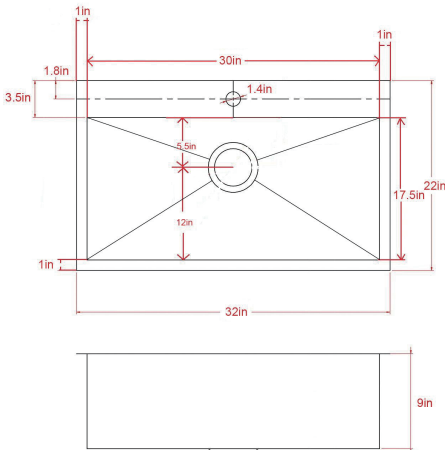
### Model: KS-1B30I

#### Dimensions:

Outside Dimensions 30" x 22" Deep  
 Inside Dimensions 28" x 17.5" Deep  
 US Standard 3 1/2 inch drain strainer

#### Material:

Premium T304 stainless steel



### Model: KS-1B32I

#### Dimensions:

Outside Dimensions 32" x 22" Deep  
 Inside Dimensions 30" x 17.5" Deep  
 US Standard 3 1/2 inch drain strainer

#### Material:

Premium T304 stainless steel

## ◆ TOOLS & REQUIRED MATERIALS (NOT INCLUDED)



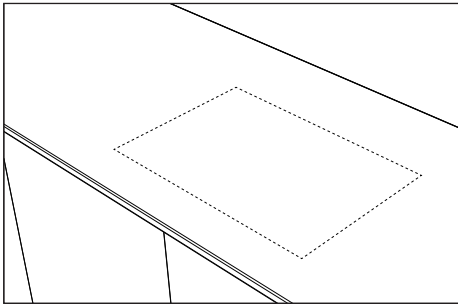
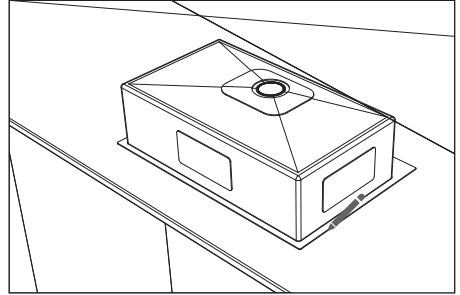
### Prior to Installation

- Make sure that you have all necessary parts by checking the parts list. If any part is missing or damaged, please contact Bonnlo Customer Service at Email: [support@vingli.com](mailto:support@vingli.com) for a replacement. Please attach your User Name or Order ID so that we can assist you better.
- Instructions may vary depending on countertop material. Read the installation and maintenance instructions thoroughly before installation, and ensure that counters are compatible with sink installation before proceeding.
- Inspect the sink prior to installation to make sure that it has not been damaged or during shipping. Put sink back into packaging to protect it until time of installation.
- Bonnlo recommends that installation of topmount sinks be done by a professional Installer.
- Sink edges may be sharp and can cause accidental injury to installer if not careful.
- Wear cut-resistant protective gloves during installation.
- Bonnlo does not responsible for any damage to countertop, sink fixture, faucet and personal injury during installation.

## ◆ INSTALLATION STEPS

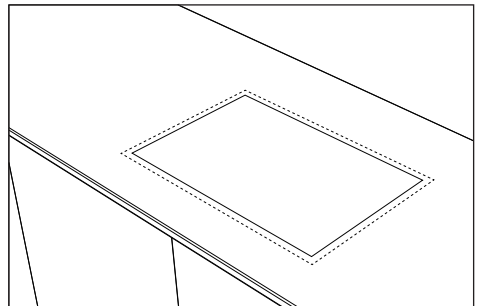
### STEP 1 Trace Opening

- a. Turn the sink upside down and place it on top of the counter. Note the location of cabinet doors and panels to ensure that they are compatible with sink installation. Make sure that there is enough space for water supply installation. Identify the location of the faucet.



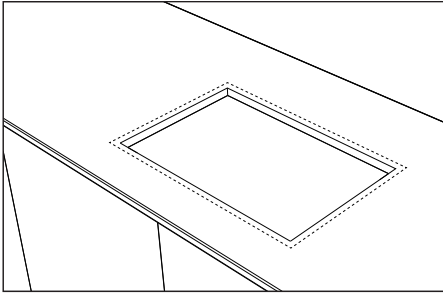
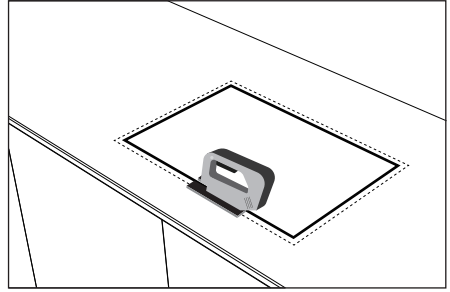
- b. Trace the outer edge of the sink with a pencil, then remove the sink.

- c. Measure the edge size of the sink carefully before cutting, then measure correct distance from the initial sink measurement and trace another line on the inside of the drawing. This second line will be the cutting line.



## STEP 2 Cut the opening

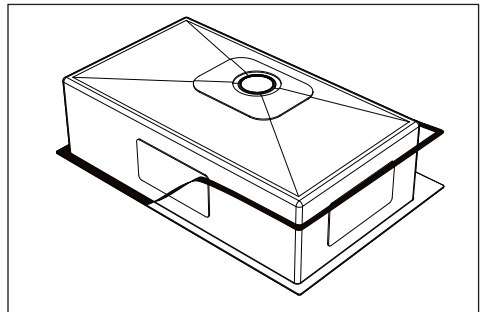
- Using the drill, make a small starting hole of about ½" on the inside of the cutting line.
- Drill a second time in the same hole with a larger bit to enlarge the hole so that the jigsaw can be inserted properly.



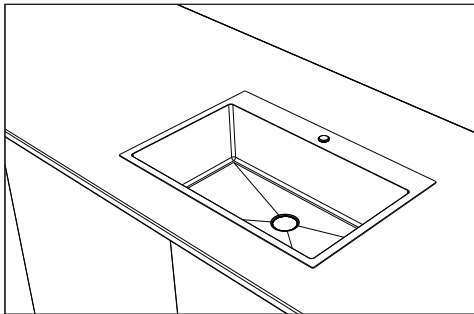
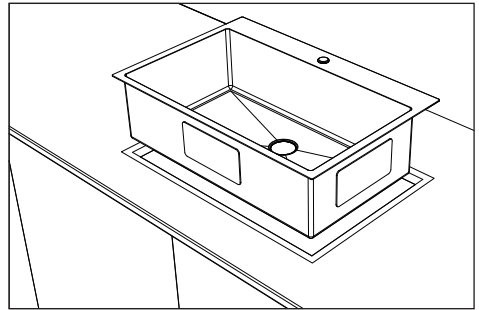
- Put masking tape on the outer side of the cutting line. This will protect the counter from scratches and shattered fragments caused by the jigsaw.
- Using the jigsaw, trim the inside of the cutting line.

## STEP 3 Install Sink

- Clean and dry the surface around the opening of the sink.
- Verify that the sink fits correctly in the opening. The edge of the sink must sit on the counter.
- Turn the unit upside down to apply sealant. Apply silicone-based sealant (not included) underneath the edge of the sink.

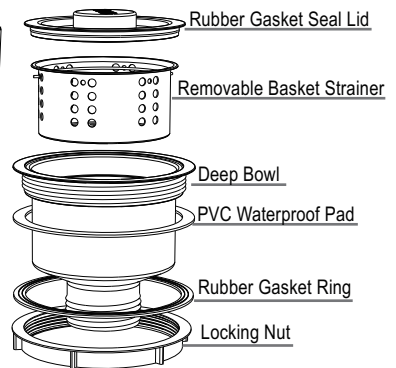
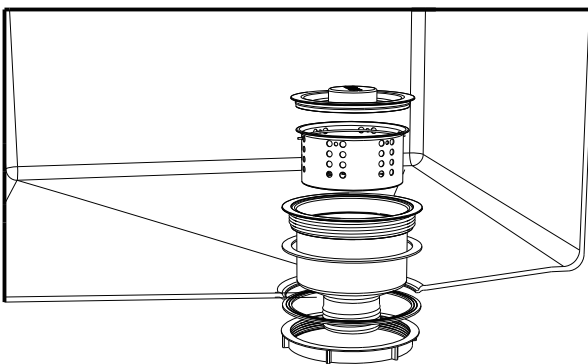


d. Position the sink and align the openings. Press the sink into the silicone seal.



e. Finally, remove excess silicon to make the sink look good.

## STEP 4 Install Drain



Insert the PVC ring and the deep bowl from the top of sink hole, and put the rubber gasket ring and locking nut on the bottom of the sink to lock it tightly.

## MAINTENANCE INSTRUCTIONS

### FAQs :

#### 1. Why is my new sink rusting?

##### Reasons:

- ① Rusting may be caused by the welding of certain parts of the sink, the accumulation of cement or oil slag. If it is not cleaned on time, it will cause the sink to rust. It should be cleaned in time after each use.
- ② Every time you use the kitchen sink, there are chemicals, detergents, paints, sauces or cooking oils. After a period of accumulation, these molds will stick to the surface and cause rust.



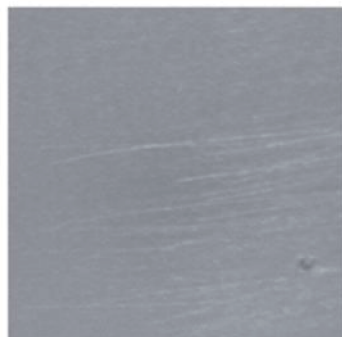
##### Prevention and Treatments:

- ① Clean the flume, especially chemicals, after installing the sink. Clean your sink after every use.
- ② Use brush to remove rust and rubbish.

#### 2. What will scratch or harm the sink?

##### Reasons:

- ① Improper packaging and collision of the fittings in the friction tank during transportation can cause scratches. Bonnlo will try its best to lay the sink and avoid scratches.
- ② Sharp objects can also scratch the sink.



##### Prevention and Treatments:

- ① Mild scratches: You can use a sponge containing toothpaste to polish.
- ② Moderate scratches: Use a scouring pad to polish small areas.
- ③ Serious scratch: Purchase stainless steel polisher.



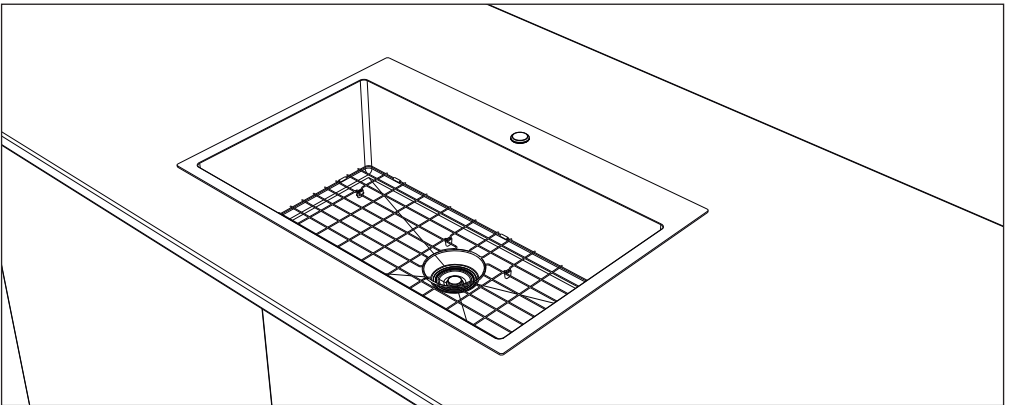
### 3.What cause the hard water stains?

#### Reasons:

If you use the sink after a while, this is the material property of the metal itself, which is normal.

#### Prevention and Treatments:

- ① Detergents can be easily solved.
- ② Clean Daily. Use a soft towel to wipe the sink with warm water.
- ③ Mixing in some washer-fluid is advisable. Remember wipe it dry at last.



## Do

- ① Clean your sink on a regular basis with warm soapy water.
- ② Wipe the sink surface with a soft cloth to remove any liquid residue.
- ③ Remember to rinse and dry the sink after use. If minerals and sediments are deposited on the sink, clean it up as quickly as possible.
- ④ Properly remove the rust, molds or scratches with a scouring pad. Rubbing the sink in the direction of the grain.
- ⑤ Keep the sink dry after you use it. Because any standing water can cause a buildup of mineral deposit, which will become hard water stains.

## Do not

- ① Do not immerse steel vessels in the sink for a long time, which makes it easy to create rust stains on the surface of the sink.
- ② Do not put detergent or bleach in the sink for a long time, which will make the sink change color or damage the surface.
- ③ Do not leave sharp objects on the surface of the sink for an extended period of time.
- ④ Use of rinse grids will reduce exposure of the bottom of the sink to scratches.
- ⑤ Do not use abrasive cleaning products, sanding tools, steel wool, or bleaching products.
- ⑥ Do not cut food directly on the surface of the sink.

### ◆ How to use scouring pad correctly?

1. Get a dry and clean non-scratch scrub pad.
2. Scrub the rust off according to the direction of the grain.

