

Instruction Manual for VINGLI Inground Pool Cover Reel

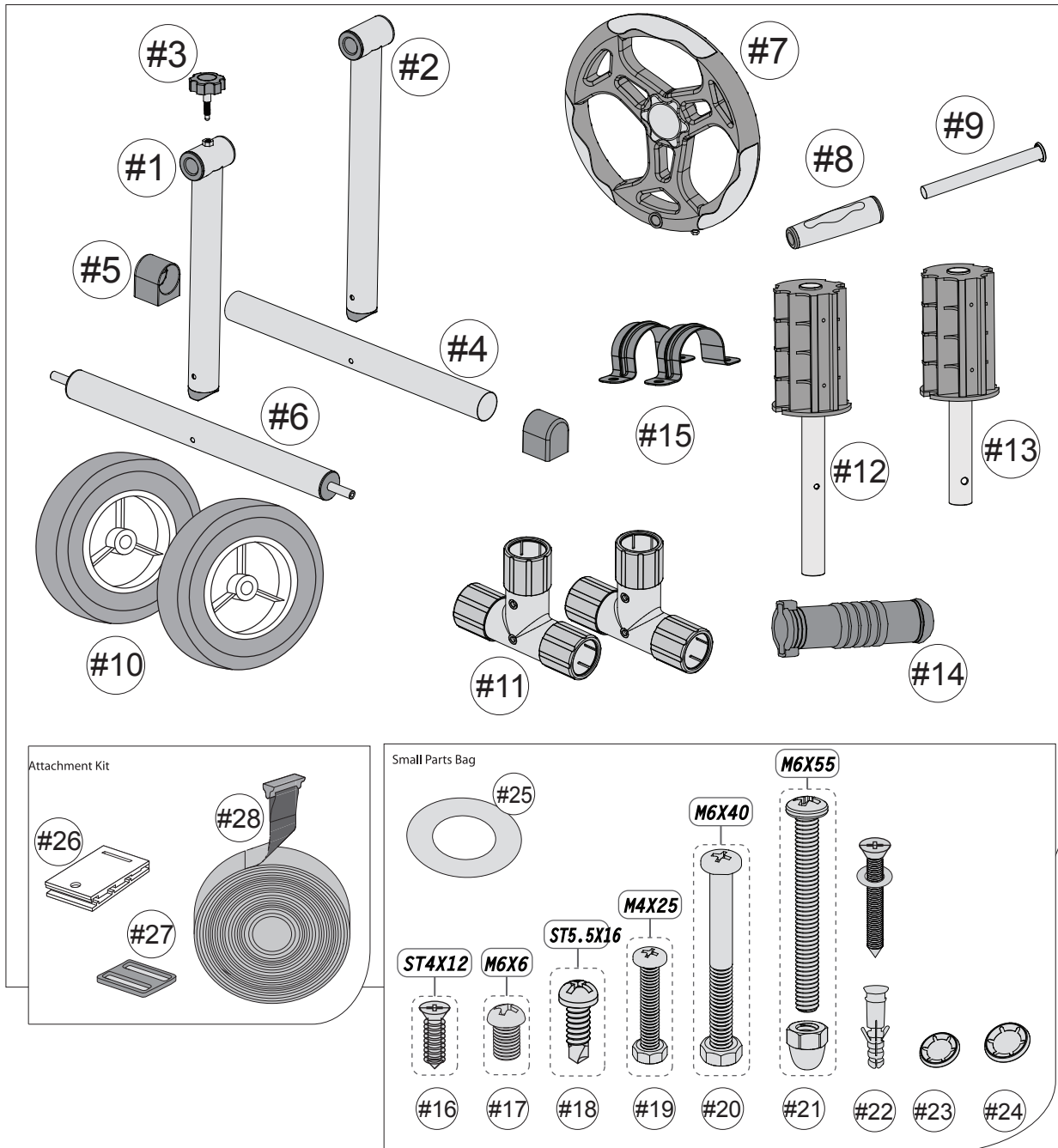


•This instructions detail the assembly of your product. Please read these instructions carefully and ensure that they are followed at all times.

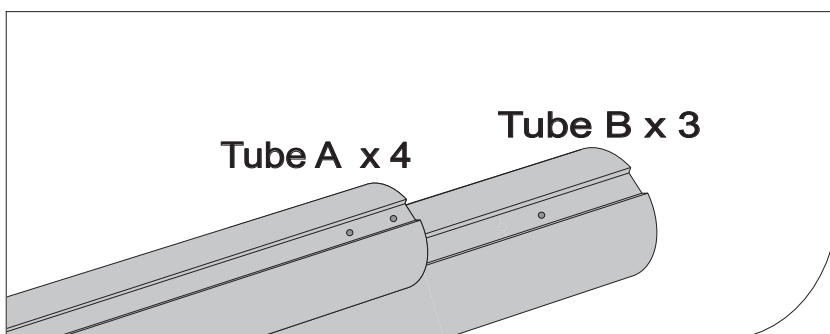
•If you need help or have questions about your order, please contact our support team at support@vingli.com

•We hope you never have the need, but if you do, our service is friendly and hassle-free.

Parts list



Ref	Qty
#1	1
#2	1
#3	1
#4	1
#5	2
#6	1
#7	1
#8	1
#9	1
#10	2
#11	2
#12	1
#13	1
#14	1
#15	2
#16	4
#17	18
#18	18
#19	1
#20	1
#21	4
#22	4
#23	2
#24	1
#25	1
#26	12
#27	8
#28	8

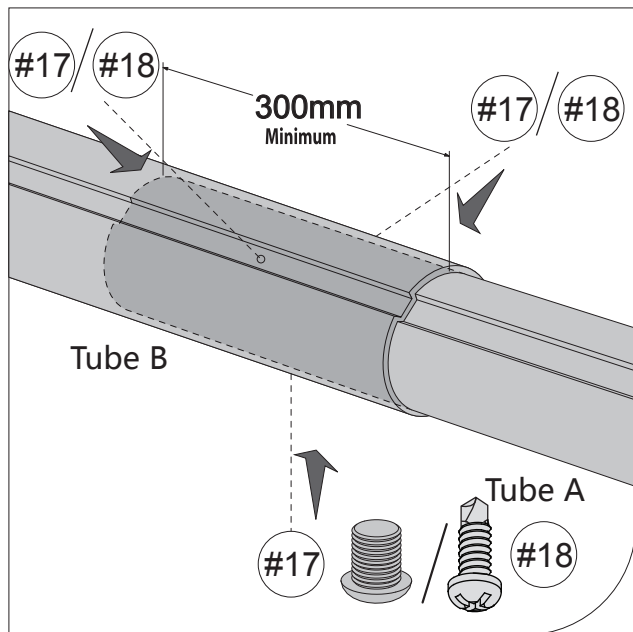
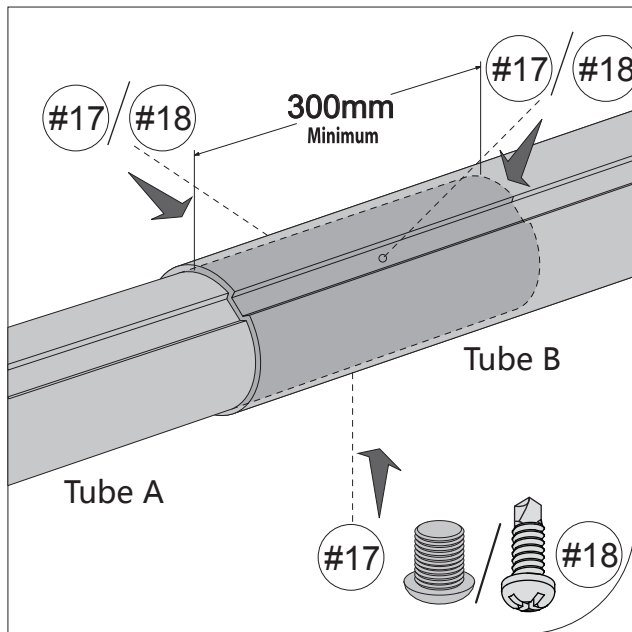
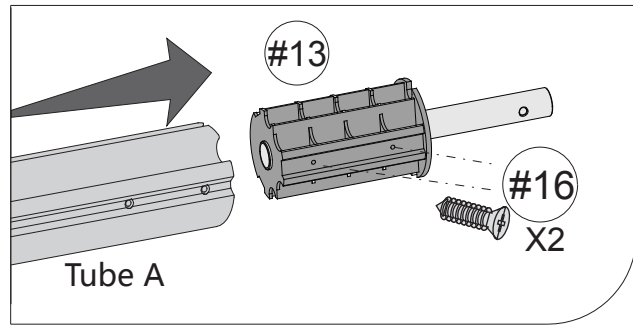
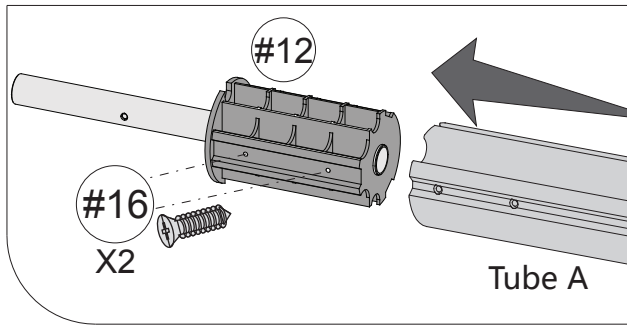


- Part#23,#24 has redundant for backup! Parts #15,#22 are not really needed, unless you living in windy city. Use part #15 & #22 to secure the non-wheeled side to your deck.
- Note: Item ship in two boxes and may arrive separately. Part No. #1-#28 in one box; Tube Bx3 and Tube Ax4 in another box (Note: 3 of Tube A inside of Tube B).

Assembly

Step 1 Install Aluminum Tube

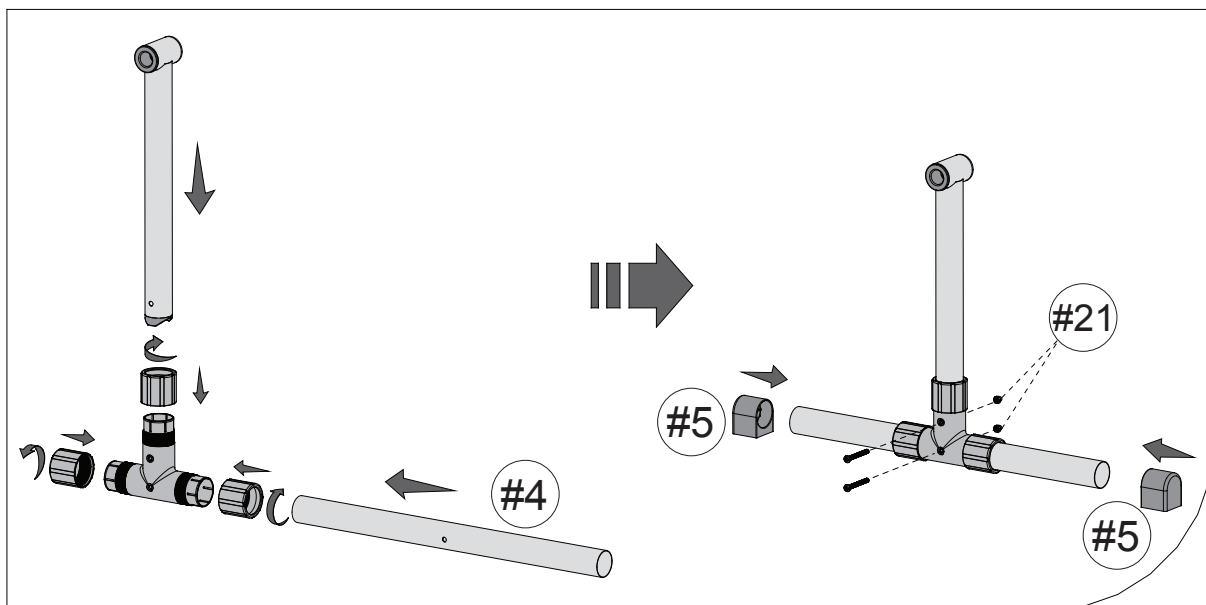
Parts needed : #12 #13 #16 #17/#18



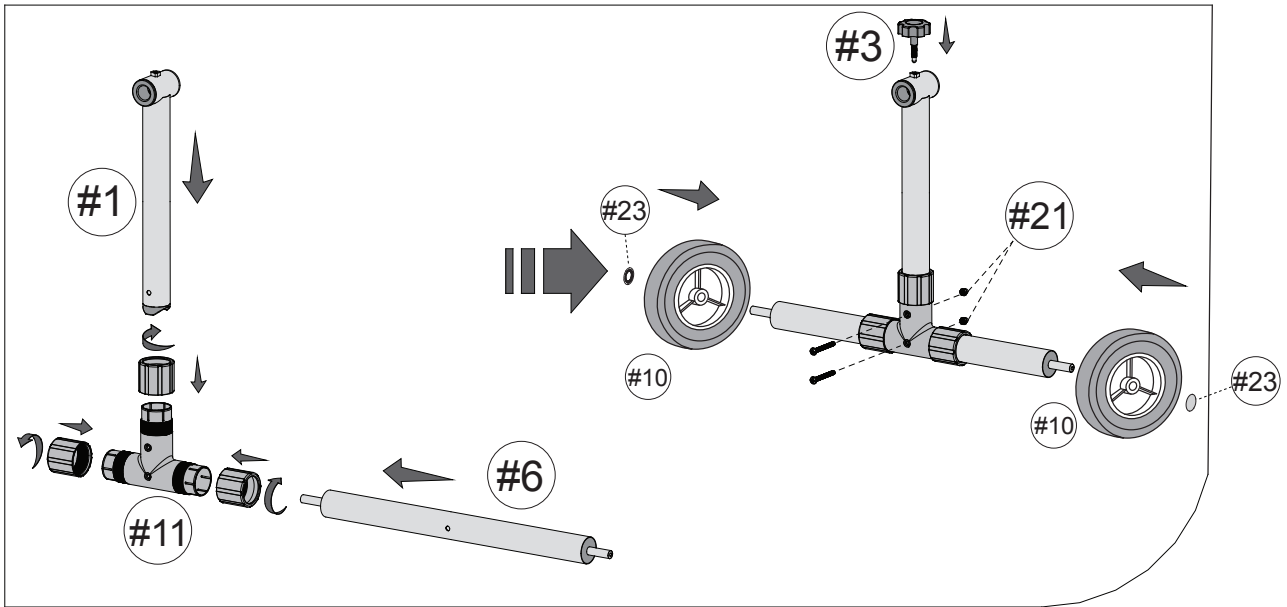
- If you have a screw driller, you could use #18 screws, if not, please use #17 screws. We suggest you use #18 screws to fix it in case #17 screws fall out the tube when use it for a long time.

Step 2 Install the bracket separately

1) Parts needed : # 2 #4 #5 #11 #21

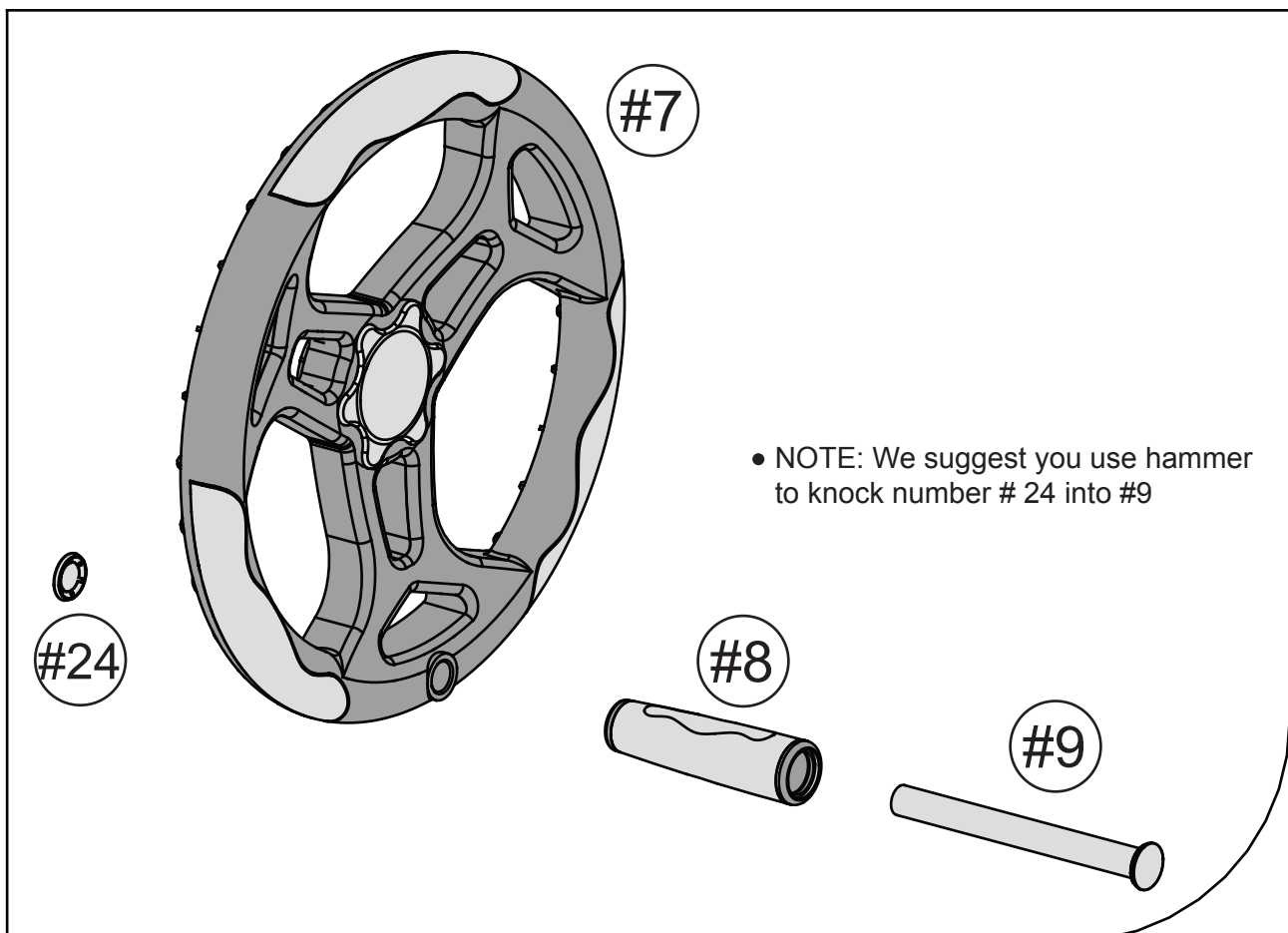


2) Parts needed : #1 #3 #6 #10 #11 #21 #23



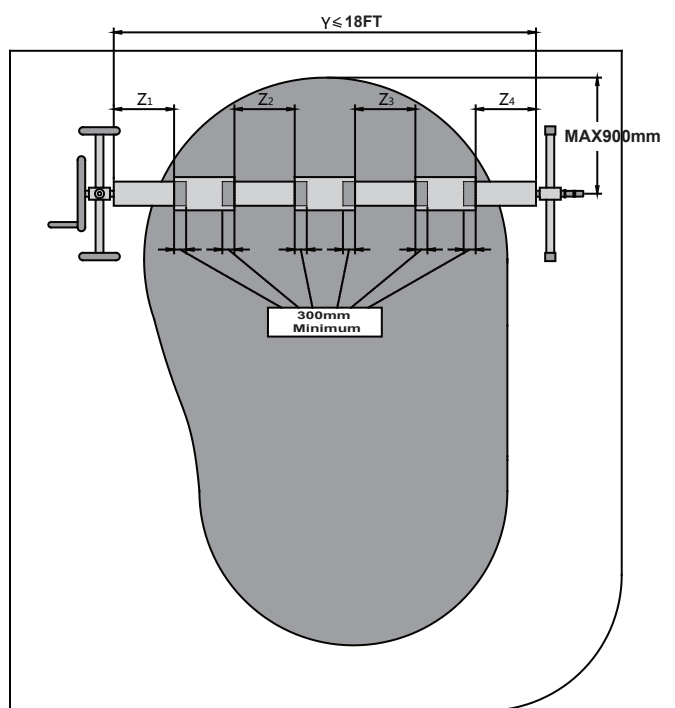
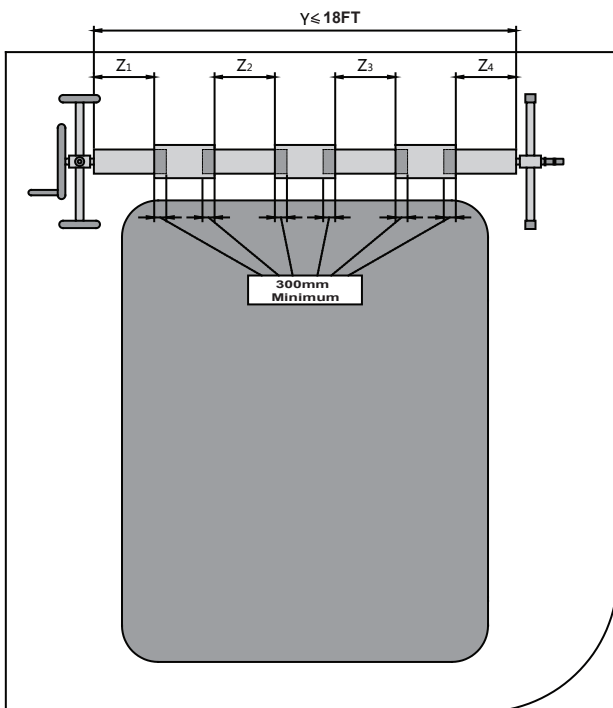
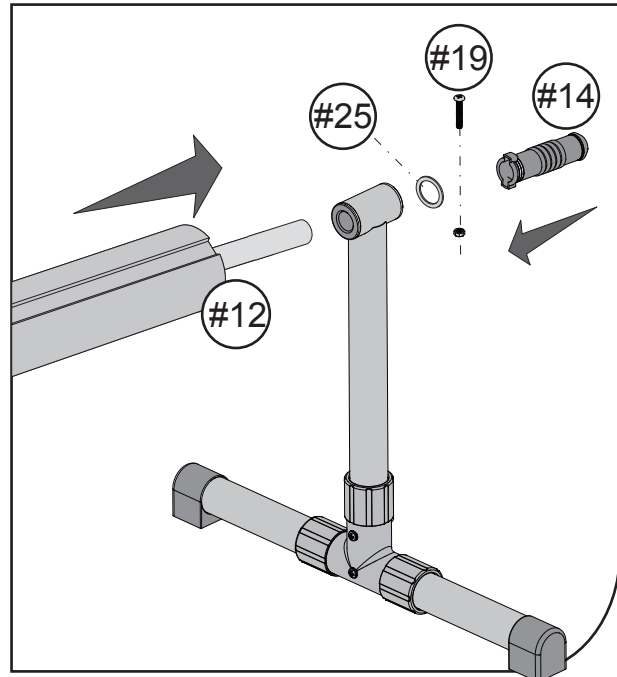
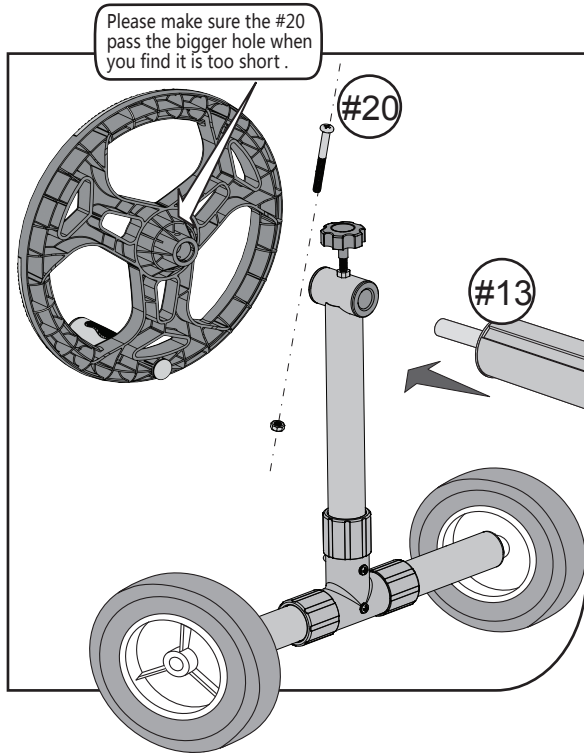
Step 3 Install Hand Crank

Parts needed : #7 #8 #9 #24



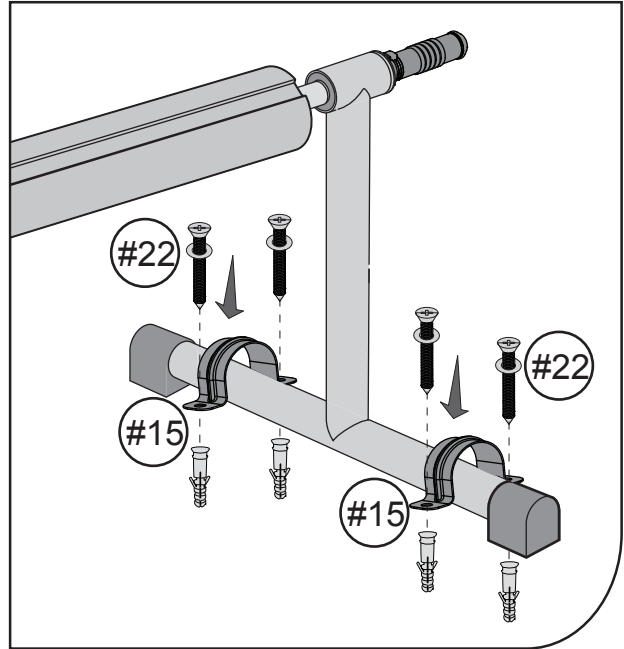
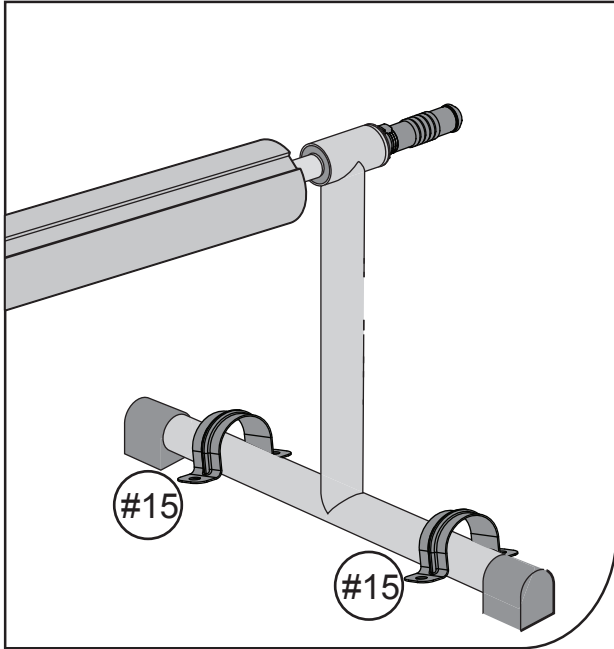
Step 4 Whole Connection

Parts needed : #12 #13 #14 #15 #19 #20 #22 #25



STEP 5 : FIX THE POOL COVER REEL ON GROUND

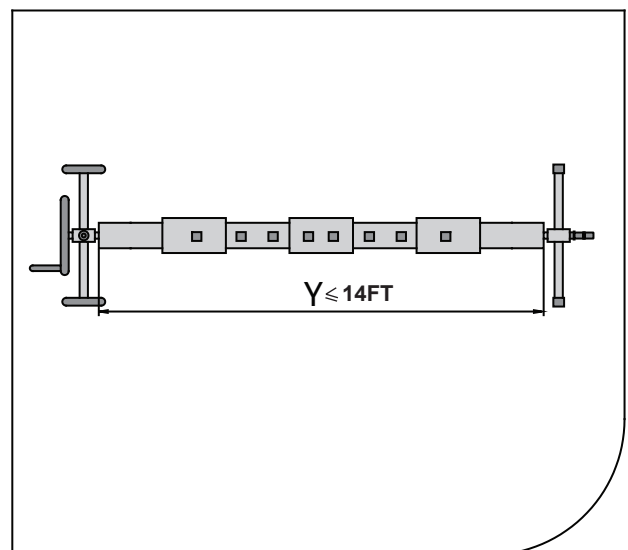
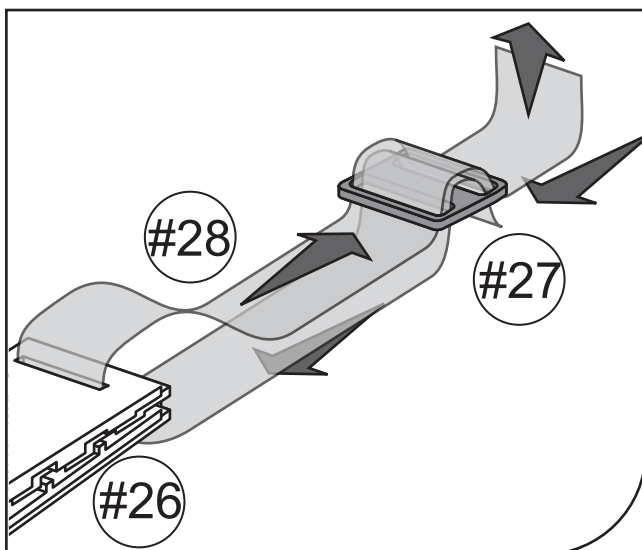
Parts needed : #15 #22

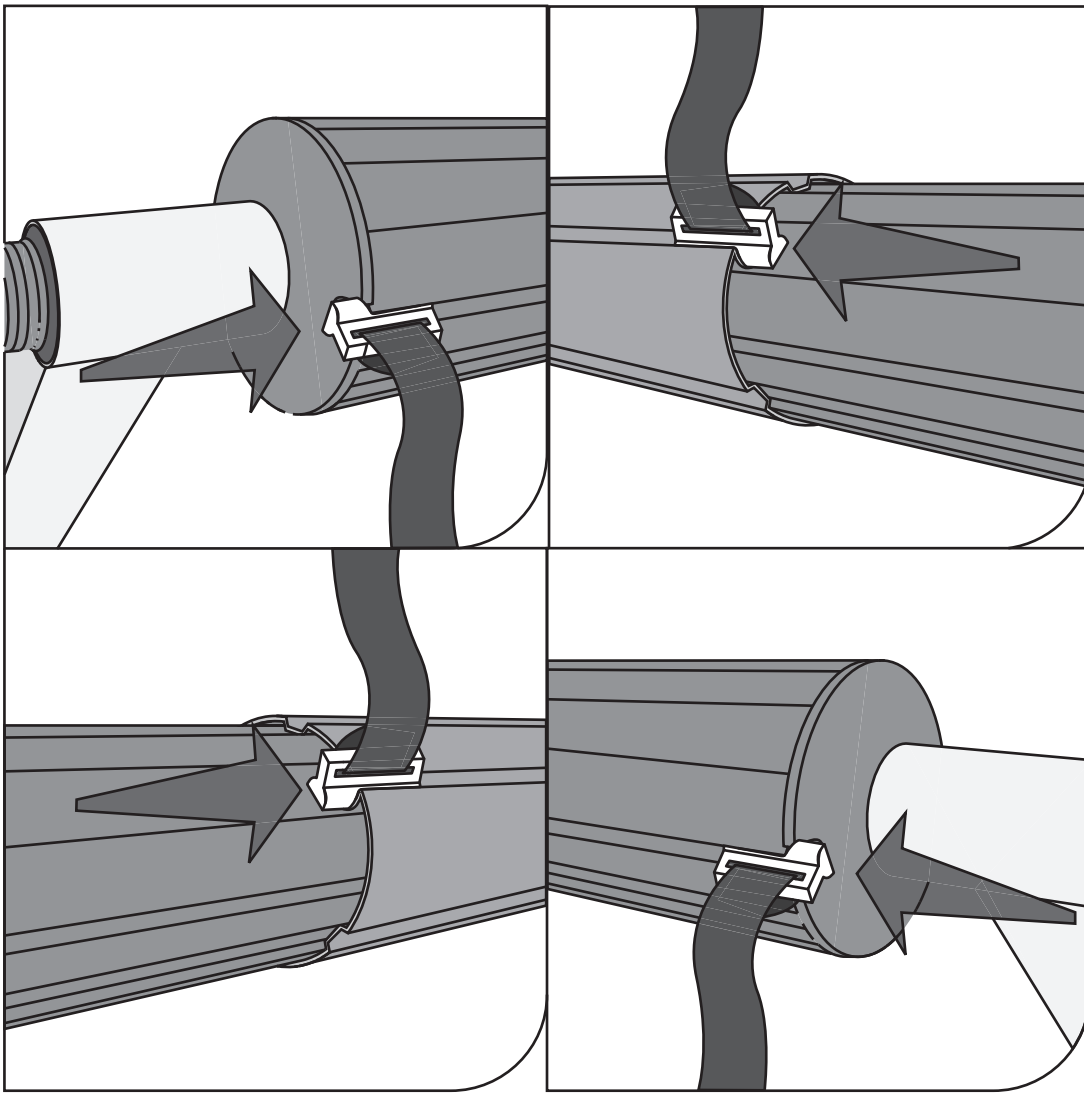


- Parts #15,#22 are not really needed, unless you living in windy city. Use part #15 & #22 to secure the non-wheeled side to your deck.

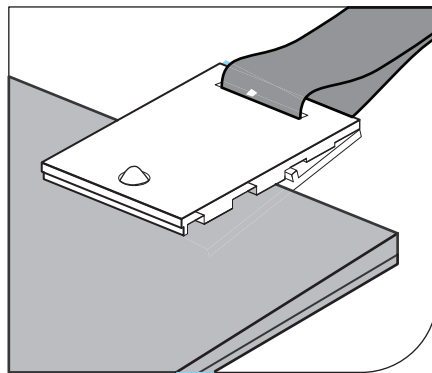
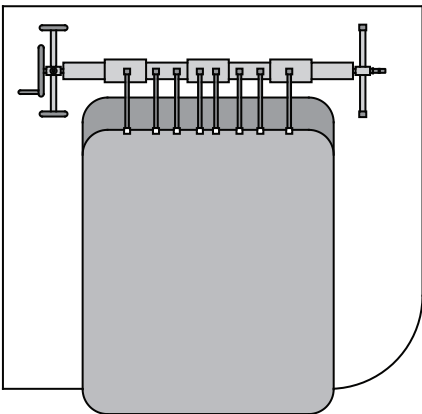
Step 6 Install The Strap

Parts needed : #26 #27 #28

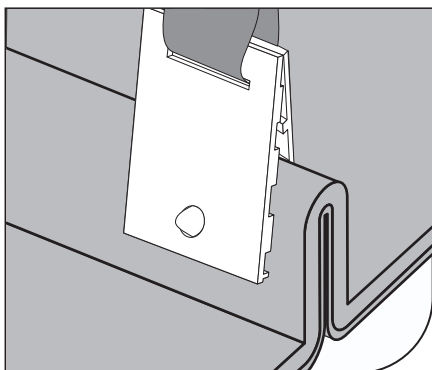
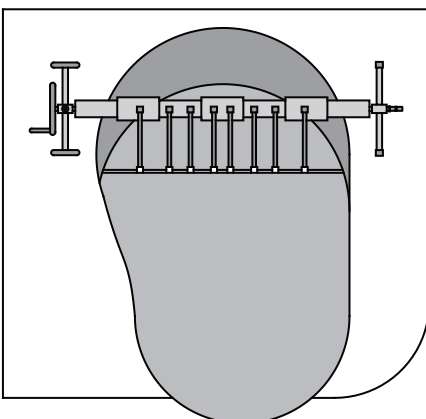




- Please note slight movement of the strap is normal because the flexible straps are design to ensure the force to be even when roll up or out the cover.



Please insure the white clip lock tightly in your cover, the clip only for once use, we have send 4 more white clips for your back up use. If you need more clips, please contact our support team at support@vingli.com



If your pool is not regular shape, please put this reel on the middle of your pool so that you can reel the cover more easily.