

Need to speak to an expert?

1 (201) 379-4900 · RIF6.com/support · support@RIF6.com

Record Player



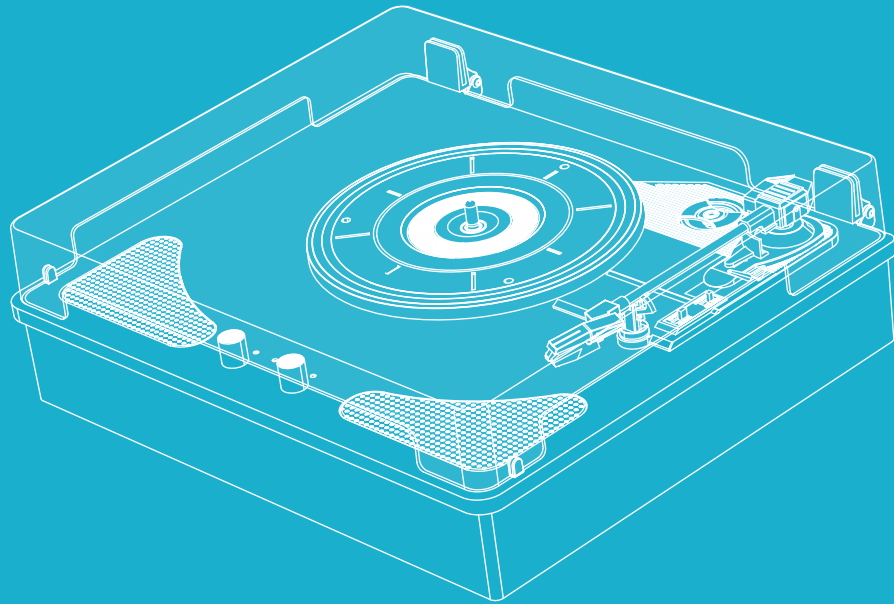


TABLE OF CONTENTS

04 Important Safety Instructions

06 Description of Parts

08 Operating Instructions

12 Troubleshooting

14 Specifications

15 Warranty Information

15 Contact Us

IMPORTANT SAFETY INSTRUCTIONS

- Make sure the record player is properly ventilated and air circulates freely around the unit. Do not place the unit on a thick carpet, bed, or any place where ventilation holes may be obstructed. Leave at least 4 inches of clearance around the unit.
- Do not place the unit:
 - Near heat sources, radiators, or other heating sources;
 - In high temperatures, high humidity, or direct sunlight;
 - Where there is excess dirt and dust;
 - Near open windows or any place where water may get into the unit;
 - Near a strong magnetic field;
 - On an amplifier or receiver.
- Before operating this unit, check the voltage to see if it is identical to the voltage of your local power supply.
- Clean the unit with clean dry cloth. Do not use liquid or aerosol cleaners.
- Clean LP records only with a dry and reliable cleaner. Do not use liquid or aerosol cleaners.
- When removing the power plug from the wall outlet, always pull on the plug directly. Do not pull on the cord.
- If the supply cord is damaged, turn off the unit immediately and unplug it from the wall outlet. Damaged cords must be replaced by the manufacturer or a similarly qualified person to avoid hazards.
- To prevent possible hearing damage, avoid listening to high volume levels for long periods, or suddenly listening to high volume levels.
- This appliance is intended for use by adults and experienced individuals. Children and individuals with reduced physical, sensory, or mental capability, or lack of experience and knowledge, should not operate the unit unless they are supervised by an adult or guardian responsible for their safety. Children should not play with this appliance.
- We are not liable for any damage caused by non-compliance with these instructions or any other improper use or mishandling of this appliance.

IMPORTANT SAFETY INSTRUCTIONS

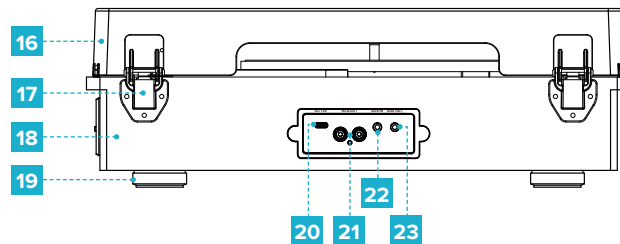
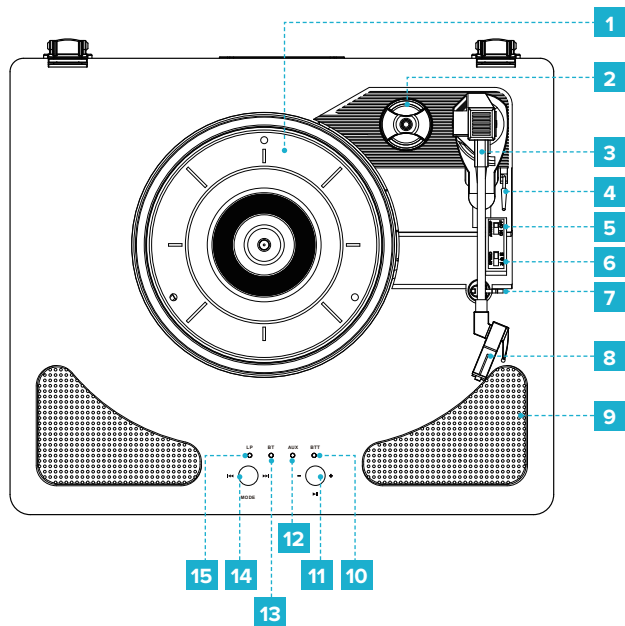
FCC STATEMENT

This equipment has been tested and found to comply with the limits for a Class B digital device, pursuant to Part 15 of the FCC Rules. These limits are designed to provide reasonable protection against harmful interference in a residential installation. This equipment generates, uses, and can radiate radio frequency energy and, if not installed and used in accordance with the instructions, may cause harmful interference to radio communications. However, there is no guarantee that interference will not occur in a particular installation. If this equipment does cause harmful interference to radio or television reception, which can be determined by turning the equipment off and on, the user is encouraged to try to correct the interference by one or more of the following measures:

- Reorient or relocate the receiving antenna.
- Increase the separation between the equipment and receiver.
- Connect the equipment into an outlet on a circuit different from that to which the receiver is connected.
- Consult the dealer or an experienced radio/ TV technician for help.

Warning: Changes or modifications to this unit not expressly approved by the party responsible for compliance could void the user's authority to operate the equipment.

DESCRIPTION OF PARTS



DESCRIPTION OF PARTS

1 Turntable Platter

2 45rp Record Adapter – Use it when playing a 45rpm record with a cut out center

3 Tonearm

4 Tonearm Lift Lever

5 LP Auto Stop On / Off Selection

6 Speed Selection: 33.3 rpm, 45 rpm, and 78 rpm

7 Tonearm Holder

8 Ceramic Cartridge with Ruby Needle

9 Speaker Grill

10 Bluetooth Transferring Indicator

11 Power/ Play / Volume Knob

- Press and hold for 2-3 seconds to turn the unit ON or OFF
 - Turn left to decrease the volume; Turn right to increase the volume
 - Press to pause or resume playing
-

12 Aux-In Indicator

13 Bluetooth-In Indicator

14 Mode Knob

- Press to select a source: LP, Bluetooth In (BT), and Aux In if available
 - Press and hold for 2-3 seconds to select Bluetooth Output (BTT)
 - In Bluetooth-In mode, turn left and right to select the previous or the next track
-

15 LP Indicator

16 Dust Cover

17 Hinge

18 Cabinet

19 Feet

20 DC 12V Type C port

21 RCA Output

22 Aux-In Jack

23 Aux-Out Jack

OPERATING INSTRUCTIONS

Initial Setup

1. Place the unit on a flat and level surface that is stable and free from vibration.
2. Remove the cable tie that is holding the tonearm.
3. Connect the AC adapter to the power jack of the unit.

Note:

- This product should only be operated by the type of power source indicated on the rating label.
- Plug the AC power adapter to a power outlet after assembly is completed. Before turning the power on, check that all the connections are correct.
- Always turn off the power when connecting or disconnecting the unit.

Amplifier Connection (If Required)

- Use an RCA cable (not supplied) to connect the unit to the external amplifier (not supplied):
 - Connect the red plug to the R/H channel input.
 - Connect the white plug to the L/H channel input.

Note: You may opt to listen to this unit using the built-in speakers or through the headphone jack.

OPERATING INSTRUCTIONS

Playing a Record

1. Press and hold the Power Volume Knob (11) for 2-3 seconds to turn the unit on.
2. Press the Mode Knob (14) to set the unit to LP mode. The mode indicator will light up.
3. Set the Speed Switch to your desired speed.
4. Place a record on the turntable. If necessary, use the 45 RPM adapter.
5. Remove the stylus protector from the stylus assembly.
Note: To avoid stylus damage, ensure that the included stylus guard is in place whenever the turntable is being moved or cleaned.
6. Release the tonearm Hold-Down Clip.
Note: When the turntable is not in use, remember to lock back the hold-down clip.
7. Use the Tonearm Lever to lift and move the tonearm.
8. Gently move the tonearm over the record you wish to play. Set the Tonearm Lever back to down. The tonearm will descend slowly onto the record and playback will start.
9. When the record is finished playing or if you want to suspend the playback, use the Tonearm Lever to raise the tonearm and return it to the Tonearm Rest. Release the lever to lower the tonearm back to its rest.
10. Lock the Tonearm Clip to secure the tonearm.

Platter Auto-Stop

If the Auto-stop Switch is set to ON, when the record plays to the end or if the tonearm is put back on the holder, the platter will stop spinning automatically. On some rare occasions, if the turntable stops playing before the end of the record, set the switch to OFF for the turntable to overcome this issue.

OPERATING INSTRUCTIONS

Connecting to a Bluetooth Device

1. Press and hold the Power Volume Knob (11) for 2-3 seconds to turn on the power.
2. Press the Mode Knob (14) and select Bluetooth Mode (BT). The Bluetooth indicator will start flashing.
3. Turn on the Bluetooth feature of your audio device. Search for "RIF6 Record Player" and start pairing with the unit.
4. Once your device is successfully paired with the unit, you will hear a short confirmation sound from the unit.
5. Play and stream music from your device to the unit.

Connecting to a New Bluetooth Device

Turn off the Bluetooth function of the previously connected Bluetooth device. The unit will then generate a signal that the Bluetooth has been disconnected. Follow the above steps to pair the unit with another Bluetooth device.

Note: In some circumstances, the Bluetooth connection may be interrupted due to strong interference, or the device being in a location that is more than the required connection distance, or there is an object moving in between both Bluetooth devices. Most devices will reconnect automatically within a few seconds. If not, reconnect manually.

Auxiliary Input

Press and hold the Power Volume Knob (11) for 2-3 seconds to turn the unit on.

Press the MODE button to select the AUX Mode, then connect the external audio device (such as a CD player) to the AUX IN socket. The audio signal from the external audio device will now be played through the unit.

Note: The aux in connection will automatically override the current mode after connecting an Aux-In cable. To resume using the turntable function, unplug the auxiliary cable from the aux-in jack.

OPERATING INSTRUCTIONS

RCA Jack

The RCA Jack connects directly to a pair of active/powered speakers or the appropriate input for a stereo system. To connect the RCA Jack, make sure the red plug is connected to the right channel and the white plug is connected to the left channel.

Note: The RCA Jack is not designed to be connected directly to the passive/underpowered speakers. If connected to the passive speakers, the volume level will be very low.

Bluetooth Output : Connecting to Bluetooth Speakers

Make sure the distance between the turntable and Bluetooth speakers is not more than 33 ft (10 meter).

1. Press and hold the Volume Knob (11) for 2 or 3 seconds to turn the unit on.
2. Press and hold the Mode Knob (14) for 2-3 seconds. The Bluetooth Output (BTT) indicator will turn blue and starts flashing. The unit will search for your Bluetooth speakers automatically.
3. If your Bluetooth speakers are on and the Bluetooth function is activated, the unit and speakers will pair automatically. It will take about 20 seconds to 2 minutes for the pairing process to be completed, depending on your Bluetooth speakers. If the unit and the Bluetooth speakers paired successfully, the Bluetooth indicator of the unit will turn solid blue.
4. To stop the pairing, press the Mode Knob.

Important Notes:

To connect the unit to another Bluetooth device, turn off the unit and restart it.

- When the unit is in **Bluetooth-In Mode**, you cannot enter **Bluetooth-Out Mode**.
- Deactivate the Bluetooth function of other devices to avoid connecting to the wrong speakers.
- Repeat steps 2 and 3 to reconnect if the first pairing fails.
- In some circumstances, the Bluetooth connection may be interrupted by strong interference, or the device being in a location that is more than required connection distance or there is an object moving in between both Bluetooth devices. Most devices will reconnect automatically within a few seconds. If not, reconnect manually.

TROUBLESHOOTING

PROBLEM	POSSIBLE CAUSE	SOLUTION
General		
No power	No power at the outlet	Try another power outlet
	The power adapter is not connected correctly	Connect the power adapter to the unit and wall outlet correctly
	The POWER ON/OFF knob is on the "Power Off" position	Press and hold the POWER knob for 2-3 Seconds to turn the unit on
	Wrong power adapter	Ensure that you are using the correct Power Adapter that was included with the accessory pack.
No sound output from the built-in speakers	The volume level is set too low	Increase the volume
	The input selector does not match the playback source	Select the correct input source
	The unit is connected to an audio out source, such as external speakers, headphones, or Bluetooth speakers	Ensure there is no connection to audio output sources. Remove the aux out/Bluetooth output, or RCA cables
The unit fails to respond	It might result from external factors such as ESD (Electro-static discharge)	Disconnect the power cord and external audio device. Replug the power cord after one minute
Turntable		
Power is on, but the platter does not turn	The Turntable PHONO mode is not selected	Press the MODE knob to select the PHONO mode
	The Auto-stop feature is activated and the tone arm is set to Stop (mostly it is inside the spin or at the tonearm holder)	The tone arm should be in the correct position during playback

TROUBLESHOOTING

PROBLEM	POSSIBLE CAUSE	SOLUTION
Noise or sound is distorted	The speed selector is set incorrectly	Set the speed at 33 1/3, 45, or 78 rpm
	The stylus is abraded after long time usage	Replace it with the spare stylus
	The volume is set too high on the RIF6 Record speakers	Lower the volume on the RIF6 Record speakers
	The volume is set too high in Aux-In or Bluetooth mode	Turn down the playback volume of the sound source
	The quality of the sound file (mp3) is poor	Try another sound file (mp3) or music player
Bluetooth In / BT Mode		
Cannot connect or pair with a Bluetooth device	Your device prompts you for a pin code	In most cases, you do not need to enter the pin code when connecting the Bluetooth device to the RIF6 Record Player
	The Bluetooth device is too far from the unit	Place the Bluetooth device closer to the unit within 33 ft (10 m)
	This Unit is on "Bluetooth-Out (BTT)" connection	Stop the BTT Mode and disconnect the unit from the external Bluetooth speaker. Choose the BT Mode
	This unit is not switched to Bluetooth-In Mode	Ensure that the unit is in BT Mode

TROUBLESHOOTING

PROBLEM	POSSIBLE CAUSE	SOLUTION
Bluetooth-Out / BTT		
Cannot connect or pair with Bluetooth speakers	This unit does not choose "BTT" Bluetooth output mode	Ensure the unit is set to BTT mode
	This BT mode is selected	Exit the Bluetooth Input "BT" mode. Choose other audio source mode and then press and hold the MODE knob to select BTT Mode until the BTT indicator lights up
	The BT Speaker is far from the unit	Place the Bluetooth device closer to the unit within 33 ft (10 m)

SPECIFICATIONS

Power Adapter:	DC 12 V, 1 A
Power Consumption:	12 W
Speaker:	3 W X 2
Turntable Speed:	33 1/3, 45, 78 RPM

Note: The supplied power adapter can only be used on this device. Do not use this power adapter for any other device.

WARRANTY INFORMATION

RIF6 offers a one-year warranty on all of our products purchased new and unused from RIF6 or an authorized reseller, with an original proof of purchase and where a defect has arisen, wholly or substantially, as a result of faulty manufacturing, parts or workmanship during the one-year warranty period. The warranty does not apply where damage is caused by other factors, including but without limitation to: (a) normal wear and tear; (b) abuse, mishandling, accident or failure to follow operating instructions; (c) exposure to liquid or infiltration of foreign particles; (d) servicing or modification of the product other than by RIF6. These are our general terms for the warranty service, but we always urge our customers to reach out to us with any issue, regardless of warranty terms. If you experience an issue with a RIF6 product, please contact us at support@RIF6.com, and we will do our best to resolve it for you.

WARNING

This manual covers all items with the model numbers:

RIF030109N RIF030118N

Keep all plastic bags away from children.

CONTACT US



1 (201) 379-4900



RIF6.com/support



support@RIF6.com

RIF6

learn more at rif6.com