

PRODEMAND

YMMS: 2012 Subaru Impreza WRX

Engine: 2.5L Eng

VIN:

May 3, 2020

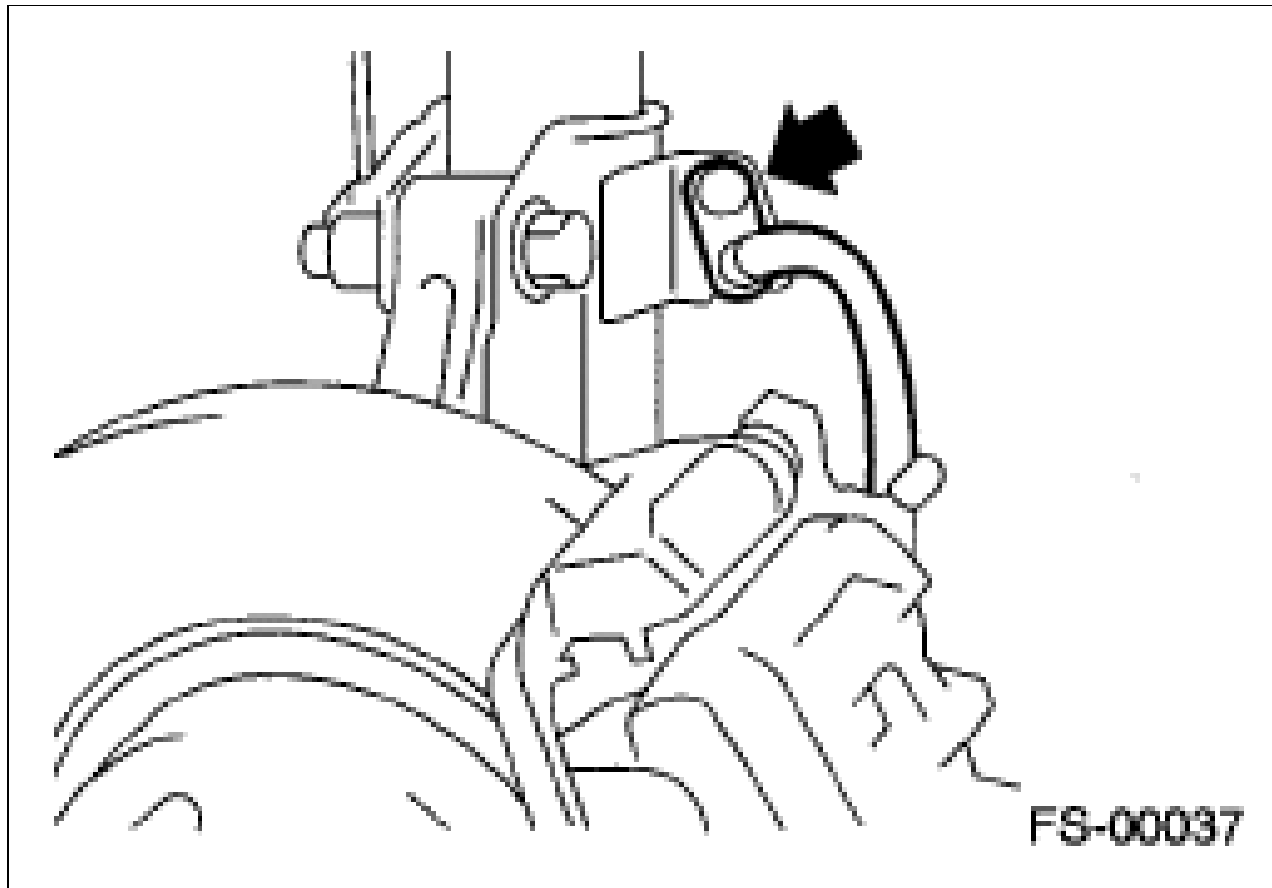
License:

Odometer:

REMOVAL [Front Strut]

1. Lift up the vehicle, and then remove the front wheels.
2. Place an alignment mark on the camber adjusting bolt and strut.
3. Remove the brake hose bracket.

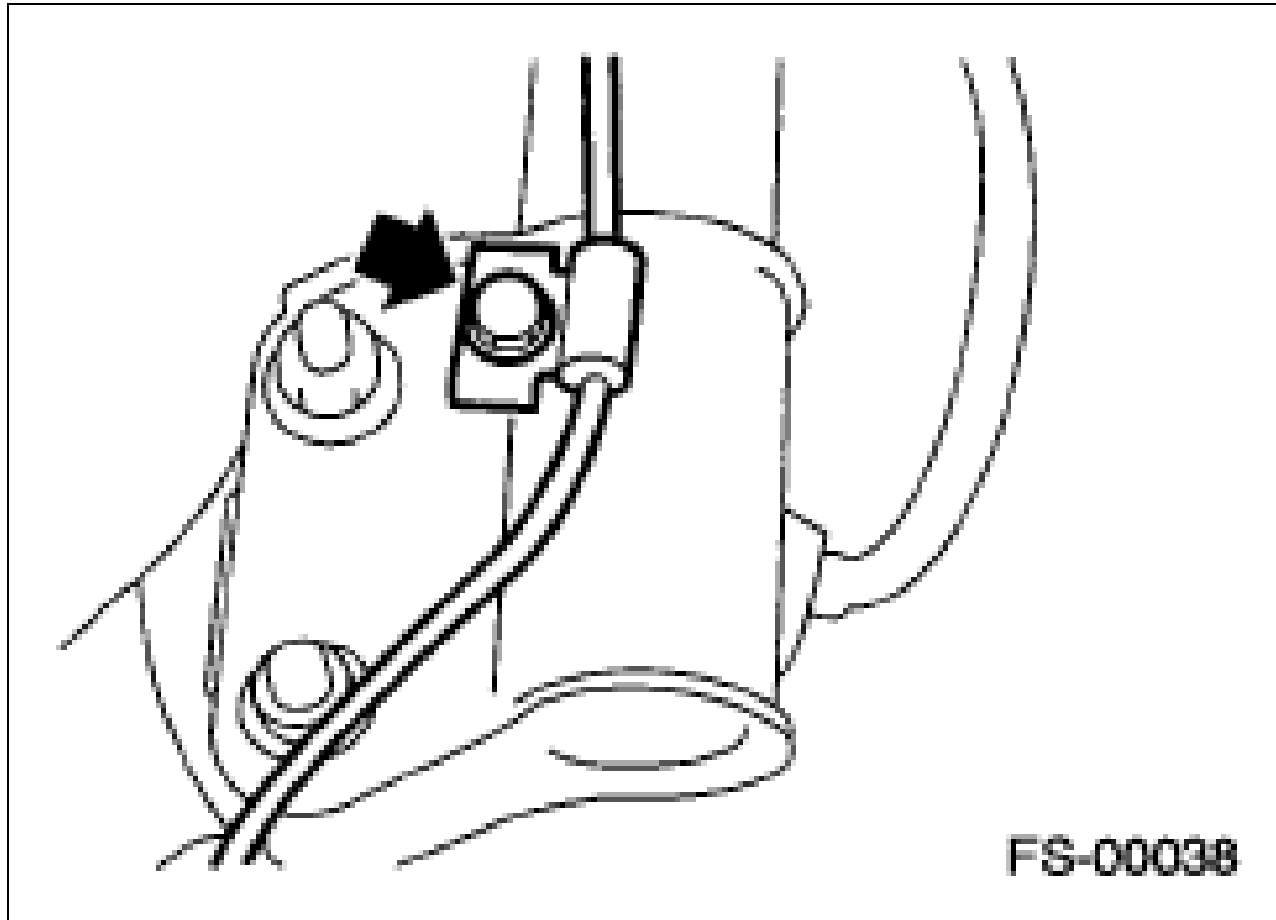
Fig 1: Locating Brake Hose Bracket Bolt



Courtesy of SUBARU OF AMERICA, INC.

4. Remove the bolt securing the ABS wheel speed sensor harness.

Fig 2: Locating ABS Wheel Speed Sensor Harness Bolt



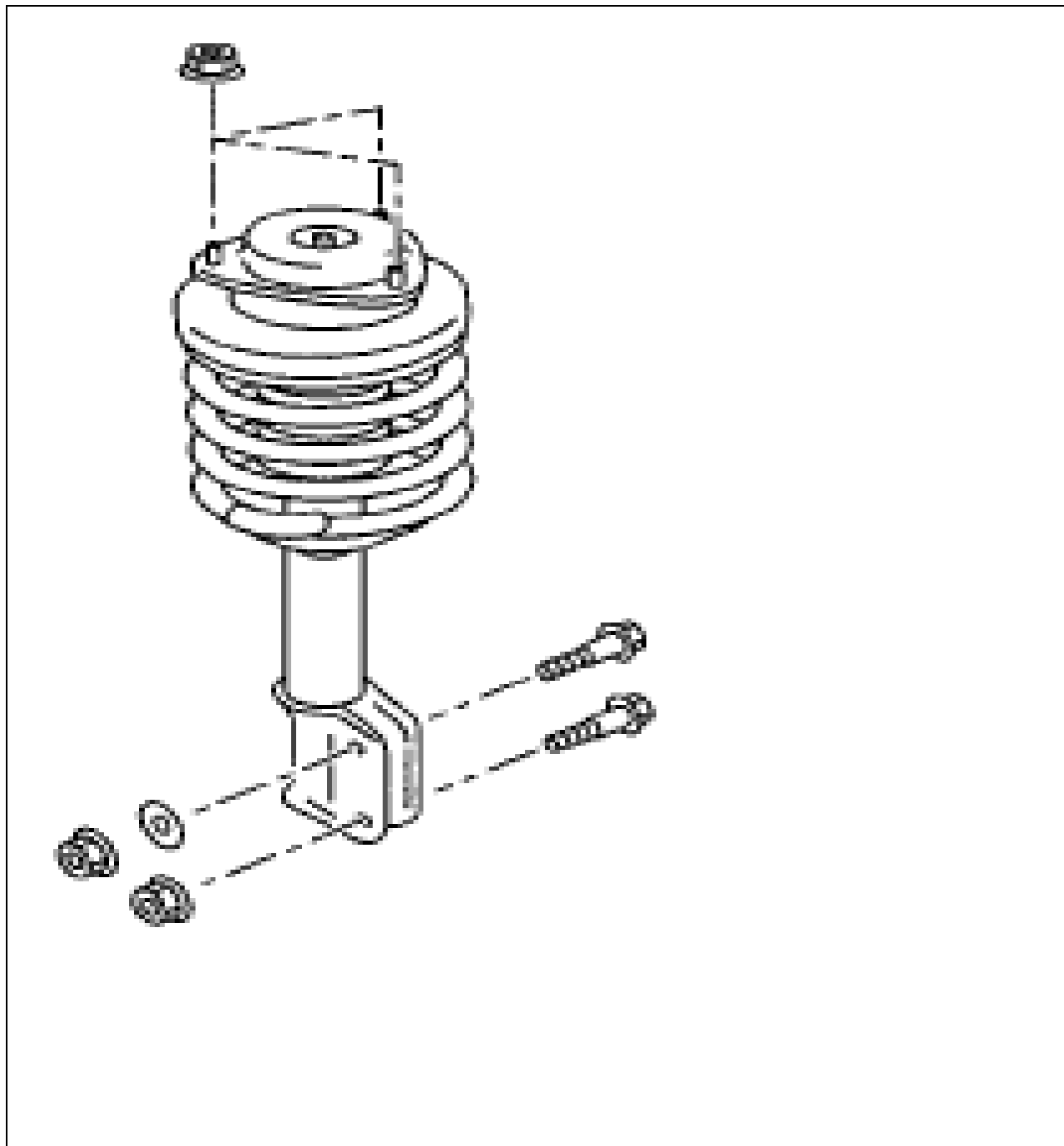
Courtesy of SUBARU OF AMERICA, INC.

5. Remove the two bolts securing the housing to the strut.

NOTE: *While holding the head of the adjusting bolt, loosen the flange nut.*

6. Remove the three nuts securing strut mount to body.

Fig 3: Identifying Strut Mount And Nuts



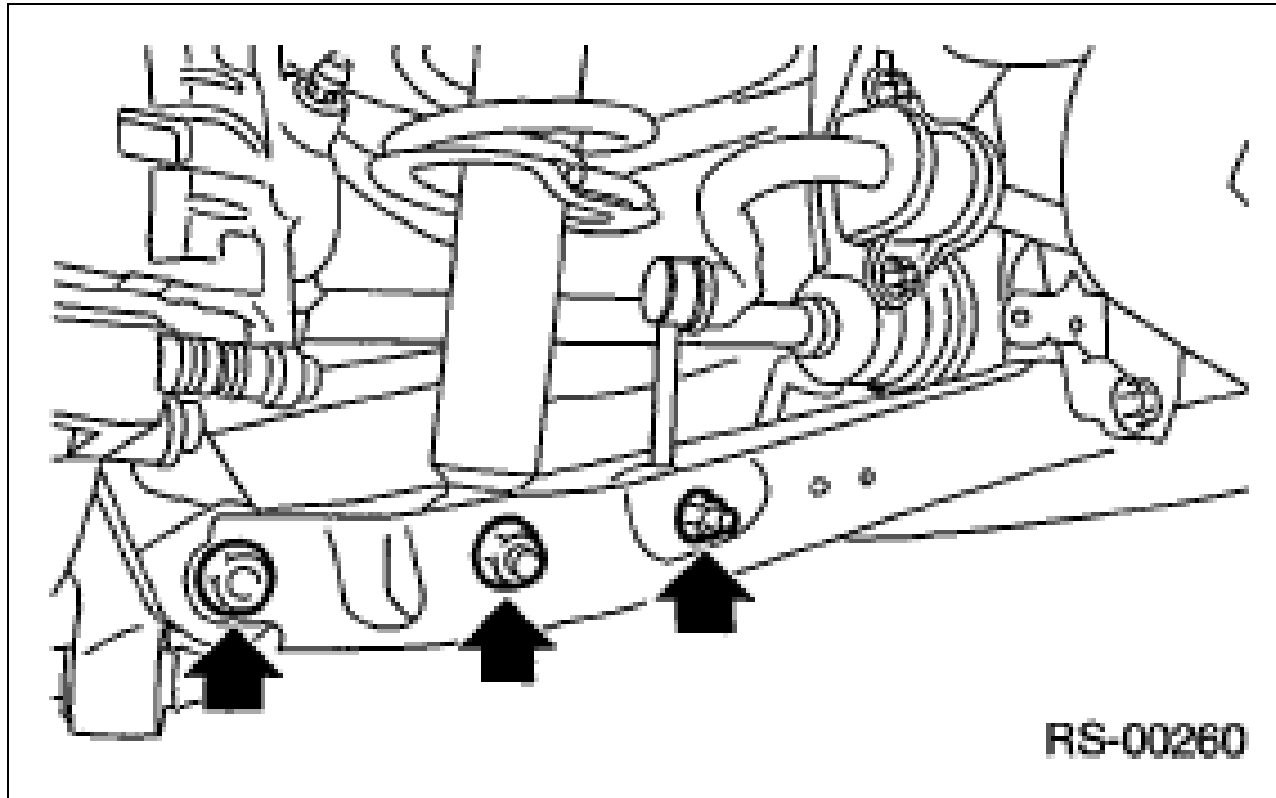
FS-00039

Courtesy of SUBARU OF AMERICA, INC.

REMOVAL [Rear Shock Absorber]

1. Remove the luggage floor mat. (5 door model)
2. Remove the strut cap of the quarter trim.
3. Remove the trunk room mat. (4 door model)
4. Lift up the vehicle, and then remove the rear wheels.
5. Remove the nut and disconnect the rear stabilizer link.
6. Remove the shock absorber lower bolt.
7. Disconnect the rear lateral link.

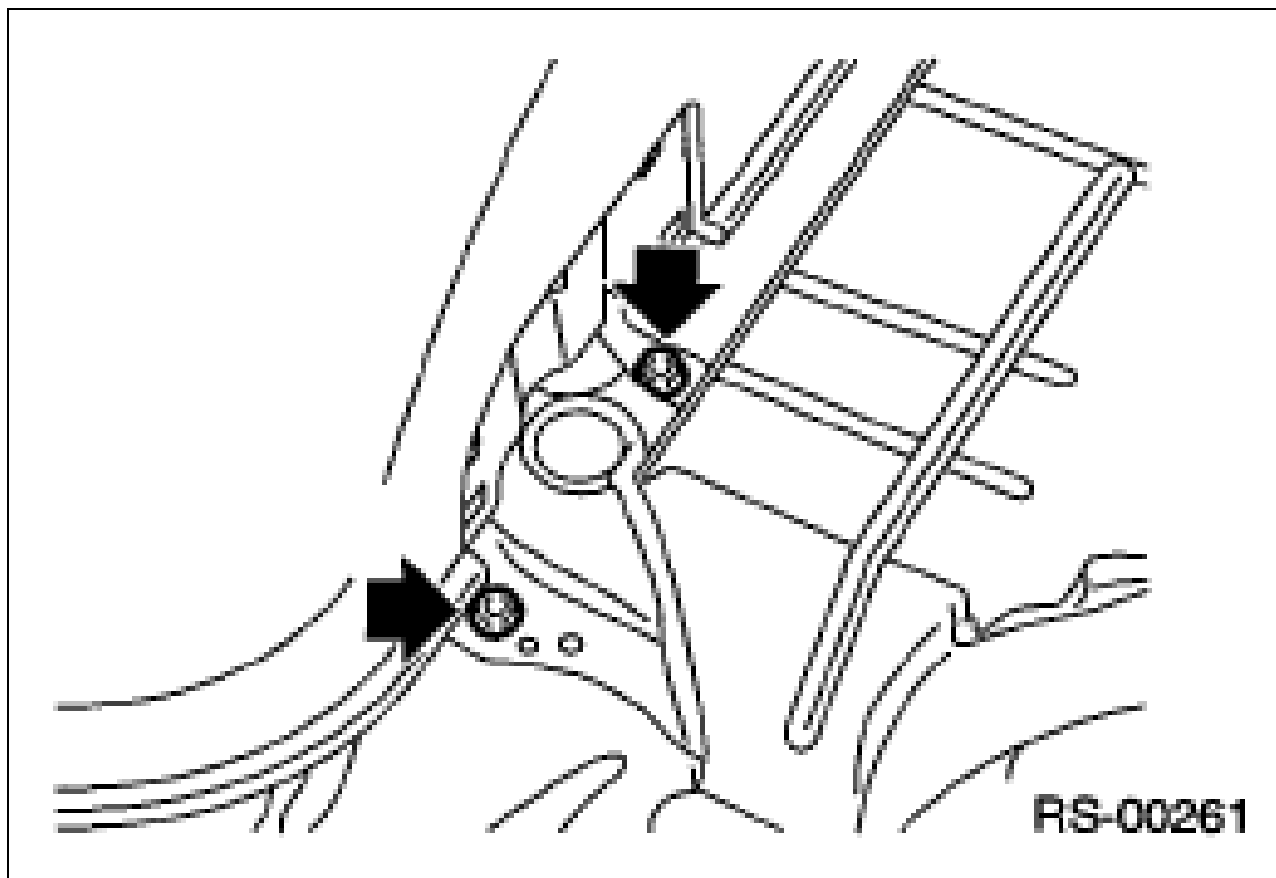
Fig 4: Locating Rear Lateral Link Nuts



Courtesy of SUBARU OF AMERICA, INC.

8. Remove the shock absorber mount nut.

Fig 5: Locating Shock Absorber Mount Nuts



Courtesy of SUBARU OF AMERICA, INC.

9. Remove the shock absorber.