

TL-UL200-CB

12 VOLT UP LIGHT



The TL-UL200 professional-grade up light can be used to dramatically draw attention to specific architectural or landscape features such as trees, yard art, walkways, gardens, gates, and more! It maintains a classic, sleek design with straight lines and a functional shape.

This classic brass up light earns the reputation of being one of the most popular up lights in the Total Light collection. This powerful and heavy-duty light is perfect for illuminating tall trees, vast spaces, columns, and tall buildings. The precise control of this light means you can keep the light focused solely on the desired highlighted feature and off of unwanted areas.

The TL-UL200 up light promises the same quality as all Total Light fixtures. The solid brass construction is extremely durable and promises protection from water, humidity, dirt, and pests. Compatible with almost any LED MR16 lamp, this up light works with existing low voltage landscape lighting system.

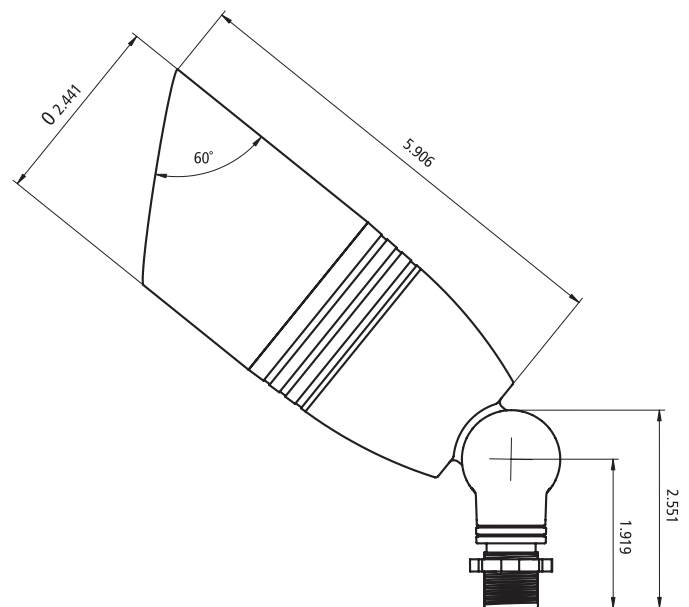


SPECIFICATIONS

- Construction: Solid Brass
- Finish: Classic Brass
- Lead Wire: 36" 18/2 Direct Burial Lighting Wire
- Lens: Frosted Glass & Clear Glass (included)
- Lamp Type: LED MR16 (not included)
- Socket: Ceramic Base Bi Pin with Nickel Contacts and Coated Wire Lead
- Maximum Lamp Rating: 50 watt
- Voltage: 12-volt
- Power Supply: Low-Voltage Transformer (Not Included)
- Mounting: TL-GSTAKE2 (included) Other Options Available
- Wattage: Based on LED lamp selection (lamp sold separately)

FEATURES & BENEFITS

- Classic, clean design
- Water resistant
- Easy to install
- Great to use in tight spaces
- Classic bronze finish



BACKED BY TOTAL LIGHT LIFETIME WARRANTY