



WSD LED INC  
Green Lighting Resources

60W

# ROUND POST TOP LIGHT

## PRODUCT FEATURES:

- ❖ Optical design, greatly improved the light utilization and evenness.
- ❖ High efficiency LED Driver, voltage AC120-277.
- ❖ Cast Aluminum design, better cooling, light quality, LED Tj < 85°C.
- ❖ Excellent efficacy ≥ 120lm/w.



MODEL #	
PROJECT:	
NOTES:	
DATE:	
PREPARED BY:	

## Additional Information:

- Power: 60W
- Input: AC 120-277V
- CCT : 4000K/5000K
- Output: 7792 LM
- Light Source:SMD 2835 LEDs
- Driver: WELED POWER

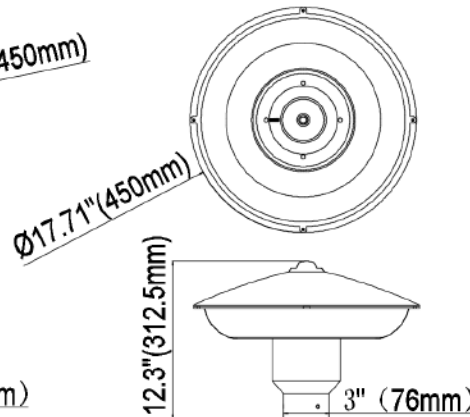
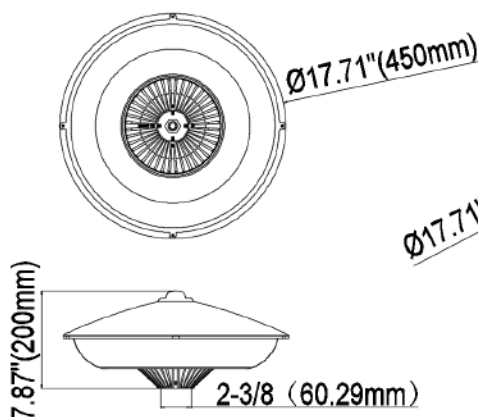


## PRODUCT APPLICATIONS:

The Round Post Top LED Lighting Series can be widely used for Outdoor (Wet Location) Excellent for Lawns, Courtyards, Roadways and many other applications.

2-3/8 inch Pole

3 inch Pole



## Structure Features:

- Shell Materials: Aluminum & PC
- Finish: Dark Bronze/White/black(Option)
- Net Weight: 5.13KG (11.3 LBS)
- Product Size: 450mm\*200mm
- Carton Size: 455mm\*455mm\*240mm



**WSD LED INC**  
Green Lighting Resources

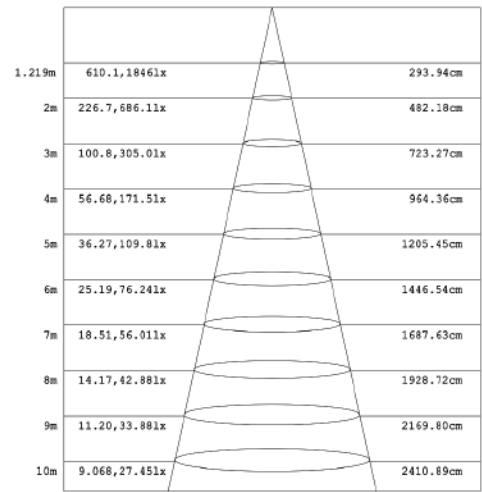
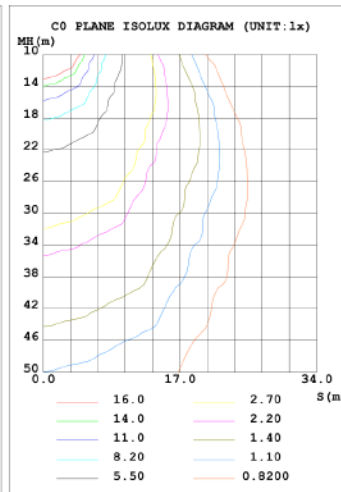
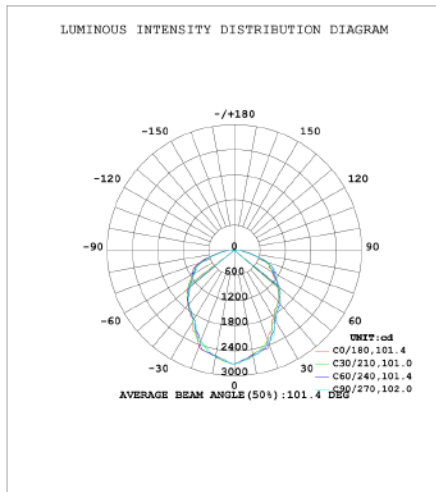
**60W**

# ROUND POST TOP LIGHT

## TECHNICAL PARAMETERS:

Type	WSD-RPT06W27-XXK-Z-U		
Power	60W	Lighting Angle	101°
Input Voltage	AC120-277V	LED Brightness Decay	<5%/6000 hrs
PF	>0.98	Working Life	>75000 hrs
Driver Efficiency	>90%	Working Temperature	-30 - +45°C
Luminous Flux	7792 Lm	Storage Temperature	-40 -+80°C
Color Temperature	4000K/5000K	Protection Level	Wet Location
CRI	Ra>70	Cable	3core, 18AWG (0.5m)

## PHOTOMETRY:



## ORDERING EXAMPLE: WSD-RPT06W27-XXK-Z [D,W,B,S] -U [I2,I3]

WSD	RPT	06W	27	XXK	Z	U
Company	Product	Power	Voltage	ColorTemp	FINISH	Mounting Mean
WSD LED INC	RPT Round Post Top Light	06W(60W)	AC120-277V	40K (4000K) 50K (5000K) ± 500K	D (Dark Bronze) W (White) B (Black) S (Silvery)	I2 2.5-inch adapter I3 3-inch adapter