

# Hourglass Post Top Light



MODEL #	
PROJECT:	
NOTES:	
DATE:	
PREPARED BY:	

### PRODUCT FEATURES:

- ❖ Optical design, greatly improved the light utilization and evenness.
- ❖ High efficiency LED Driver, voltage AC120-277.
- ❖ Cast Aluminum design, better cooling, light quality, LED Tj < 85°C.
- ❖ Excellent efficacy ≥ 140lm/w.

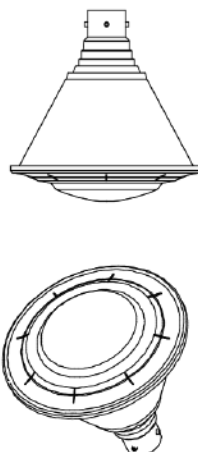
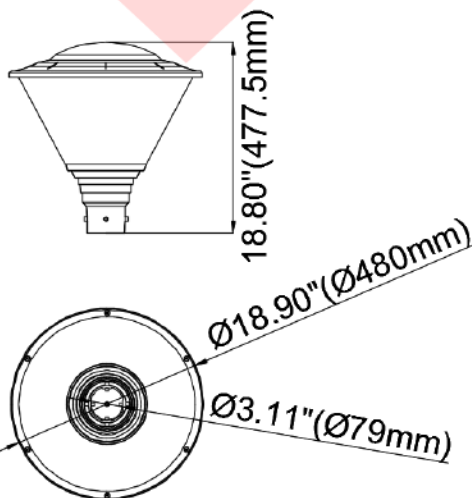
### Additional Information:

- Power: 60W
- Input: AC 120-277V
- CCT : 4000K/5000K
- Output: 8480 LM
- Light Source: SMD 2835 LEDs
- Driver: WELED POWER



### PRODUCT APPLICATIONS:

The Hourglass Post Top Light LED Lighting Series can be widely used for Outdoor (Wet Location) Excellent for Lawns, Courtyards, Roadways and many other applications.



### Structure Features:

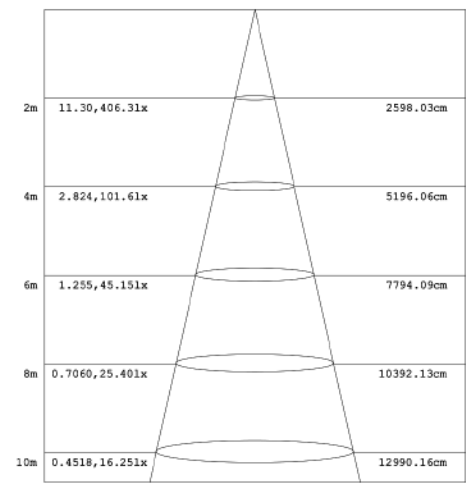
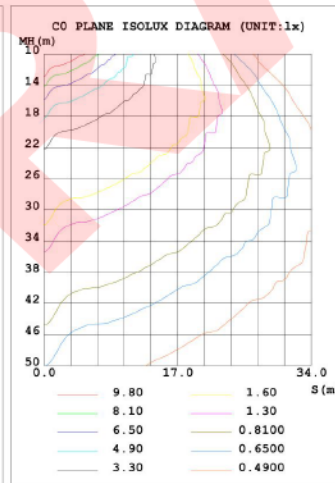
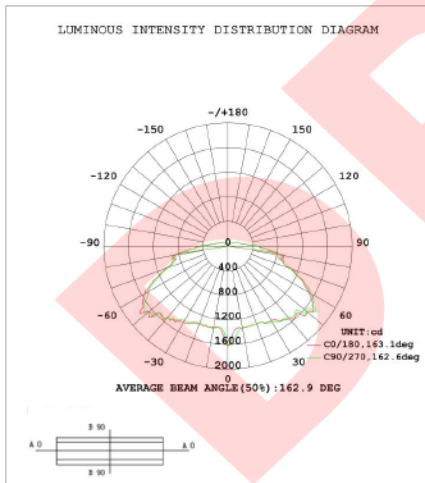
- Shell Materials: Aluminum & PC
- Finish: Dark Bronze/White/black(OPTION)
- Net Weight: 7.7KG (17LBS)
- Product Size: 480mm\*477.5mm
- Carton Size: 505mm\*505mm\*535mm

## Hourglass Post Top Light

### TECHNICAL PARAMETERS:

Type	WSD-HPT06W27-XXK-Z-E		
Power	60W	Lighting Angle	162°
Input Voltage	AC120-277V	LED Brightness Decay	<5%/6000 hrs
PF	>0.98	Working Life	>75000 hrs
Driver Efficiency	>90%	Working Temperature	-30 - +45°C
Luminous Flux	8480 Lm	Storage Temperature	-40 -+80°C
Color Temperature	4000K/5000K	Protection Level	Wet Location
CRI	Ra>70	Cable	3core, 18AWG (0.5m)

### PHOTOMETRY:



### ORDERING EXAMPLE: WSD-HPT06W27-XXK-Z [D, W, B, S] -E [blank, M]

WSD	HPT	06W	27	XXK	Z	E
Company	Product	Power	Voltage	ColorTemp	FINISH	Control
<b>WSD LED INC</b>	HPT Hourglass Post Top Light	<b>06W(60W)</b>	AC120-277V	<b>40K (4000K)</b> <b>50K (5000K)</b> <b>± 500K</b>	<b>D</b> (Dark Bronze) <b>W</b> (White) <b>B</b> (Black) <b>S</b> (Silvery)	<b>M</b> <b>Motion Sensor</b>