

## 30W LED Flood Lighting



### Features

- Lumileds LED, high luminous efficiency and long working life.
- High efficiency LED Driver, the wide range input voltage AC120-277V.
- Die Cast aluminium cooling design, high quality and better cooling for LED  $T_j < 85^\circ\text{C}$ .
- Excellent Optics design, greatly improve the light utilization and evenness.
- Photocell Control Available (Option)

### Product Applications

WSD LED Flood Lighting series can be widely used in indoor or outdoor lighting (Wet location), Excellent for Museums, Art Galleries, Shopping Malls, Office Buildings, The lawn, Walls, and many more applications.

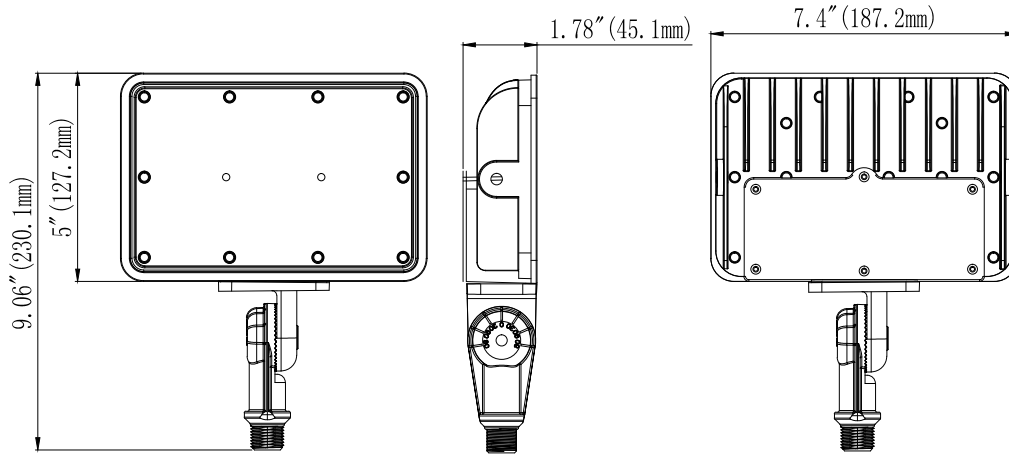


## Specifications

Unit : inch(mm)

### Structure Features

- Shell materials: Aluminum & PC.
- Finish: Dark Bronze/White
- Net weight : 1.38Kg (3.04 lbs)
- Interbox Size: 26.2cm\*22cm\*8cm(1pcs)
- Carton Size: 55.1cm\*43.5cm\*23.5cm(10pcs)

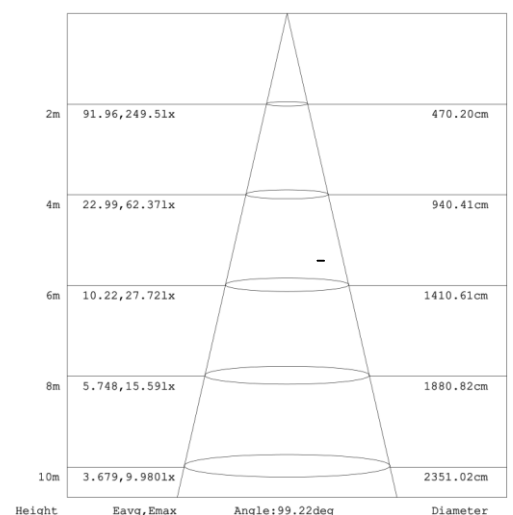
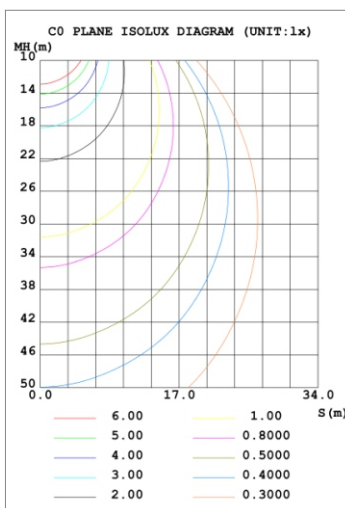
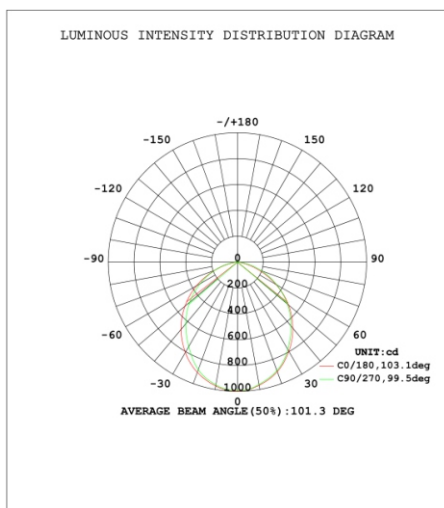


## Technical Parameters

### WSD-FL03W27-XXK-Z[D,W,B,S]-K[K,T]-Y[blank or P]

Power	30W	Lighting Angle	101°
Input Voltage	AC120-277V	LED Brightness Decay	<5%/6000 hrs
PF	>0.95	Working Life	>50000 hrs
Driver Efficiency	>90%	Working Temperature	-30 - +45°C
Luminous Flux	4350 Lm	Storage Temperature	-40 - +80°C
Color Temperature	4000K/5000K	Protection Level	Wet Location/IP65
CRI	Ra>70	Cable	Input Connect, 0.3m

## Photometry



### Example: WSD-FL03W27-XXK-Z[D,W,B,S]-K[K,T]-Y[blank or P]

WSD	FL	30W	27	XXK	Z	K	Y
Company	Product	Power	Voltage	Color Temp	Finish	Mount	Control
WSD LED INC	Flood Light	03W(30W)	27	40K(5000K)	D (Dark Bronze)	K	Photocell
			AC120-277V	50K(5000K)±500K	W (White)	Knuckle	
					B (Black)	T	
					S (Silvery)	Trunnion	