

2FT 200W LED Linear High bay Light

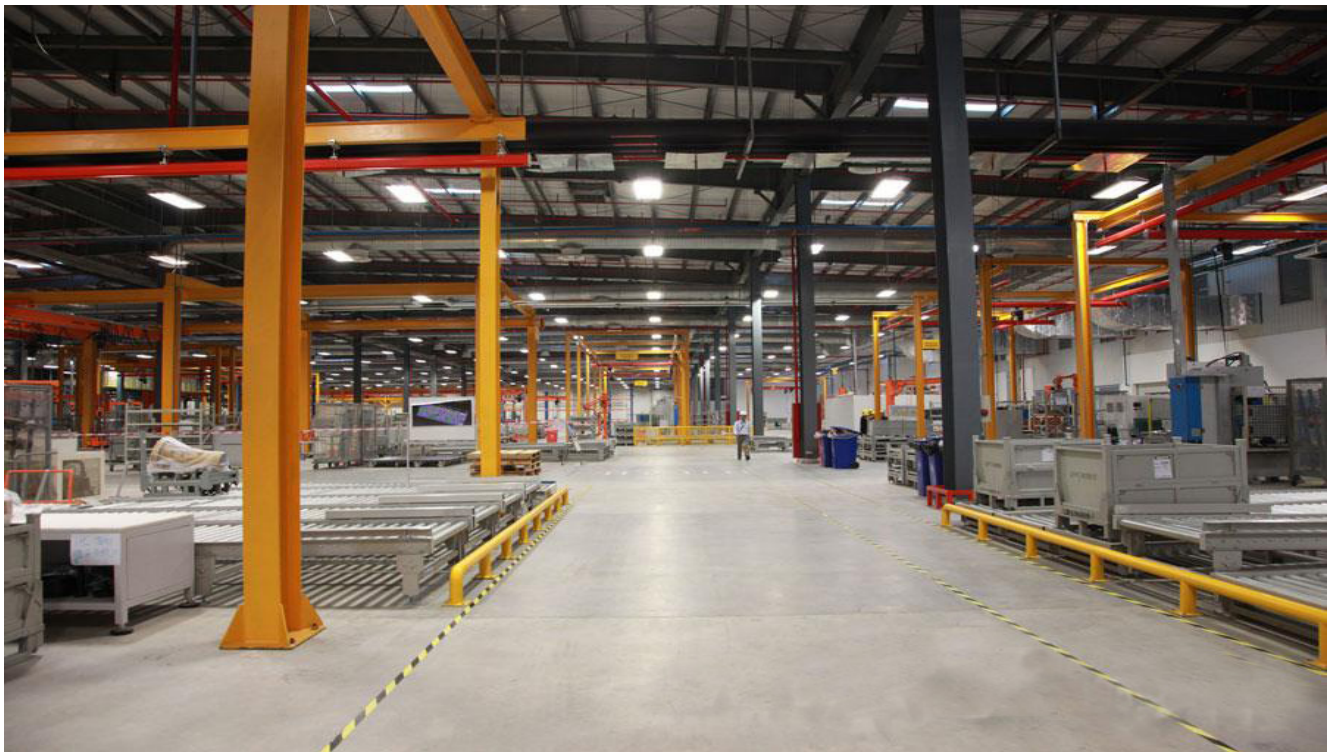


Features

- Lumileds LED, high luminous efficiency and long working life.
- High efficiency LED Driver, the wide range input voltage AC120-277V.
- Die Cast aluminium cooling design, high quality and better cooling for LED $T_j < 85^{\circ}\text{C}$.
- Excellent Optics design, greatly improve the light utilization and evenness.
- Motion sensor Control Available (Option)

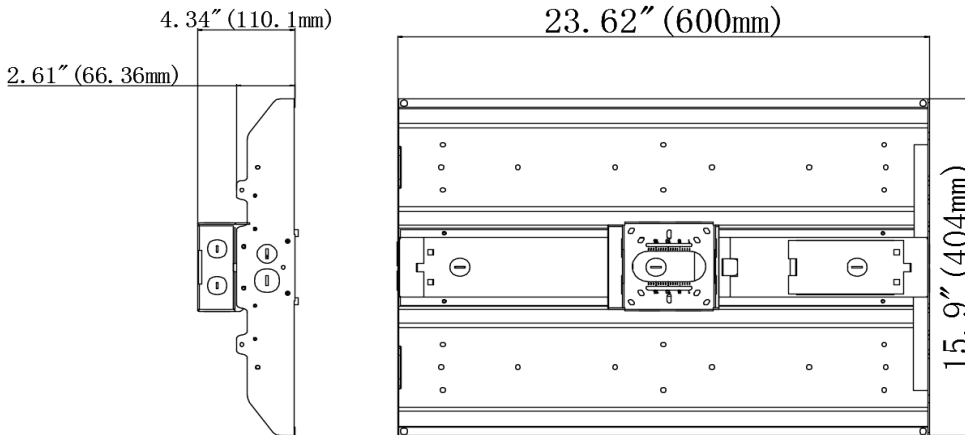
Product Applications

WSD LED 2FT 200W LED Linear High bay Light series can be widely used in indoor lighting(location), like Warehouse, Gymnasium, Supermarket, Workshop, Toll booth, Waiting rooms, platforms of railway station etc.



Specifications

Unit : inch(mm)



Structure Features

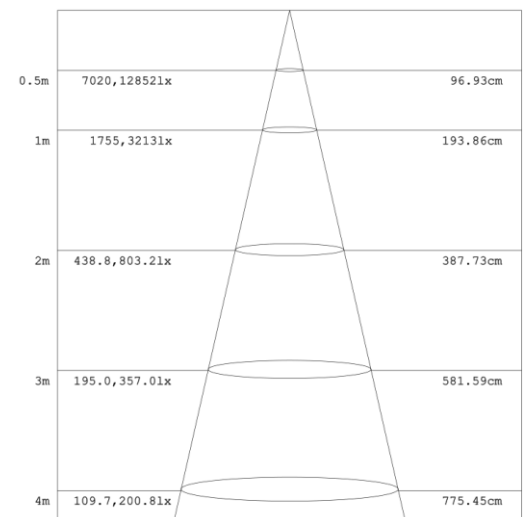
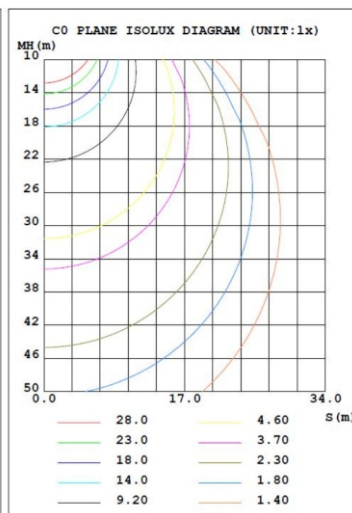
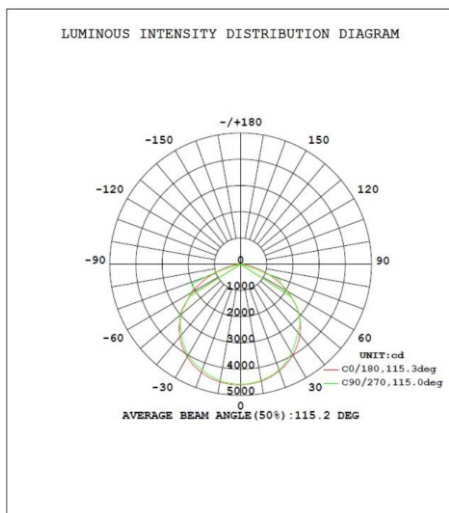
- Shell materials: Aluminum & PC.
- Finish: White
- Net weight : 5.9Kg (13.0 lbs)
- Product Size: 600mm*404mm*66.36mm
- Carton Size: 660mm*470mm*155mm

Technical Parameters

WSD-2FLHB20W27-XXK

Power	200W	Lighting Angle	115°
Input Voltage	AC120-277V	LED Brightness Decay	<5%/6000 hrs
PF	>0.95	Working Life	>50000 hrs
Driver Efficiency	>90%	Working Temperature	-30 - +45°C
Luminous Flux	27650Lm	Storage Temperature	-40 - +80°C
Color Temperature	4000K/5000K	Protection Level	Damp
CRI	Ra>80	LED Driver	SOSEN
Optional dimming function	1-10Vdc	Cable	Input Connect, No cable

Photometry



Example: WSD-2FLHB20W27-XXK

WSD	LHB	20W	27	XXK
Company	Product	Power	Voltage	Color Temp
	LHB	20W(200W)	27	40K(4000K)
WISDOM	Linear High bay Light		AC120-277V	50K(5000K)±500K