

TL-WL-2-CB

LOUVERED WELL LIGHT



The Total Light Well Light is the perfect solution for lighting pathways with a distinct and elegant style. It's injection molded base coupled with 36 inches of Direct Burial lighting wire guarantees an easy install into your lighting system. The well light cover is easy to remove for installing any compatible MR16 bulb.

The high-quality construction keeps dirt, moisture and insects out. The combination of solid brass and injection molded poly makes this product built to last. This well light features a louvered top, creating an intriguing aesthetic. This makes the perfect addition to any lighting system.

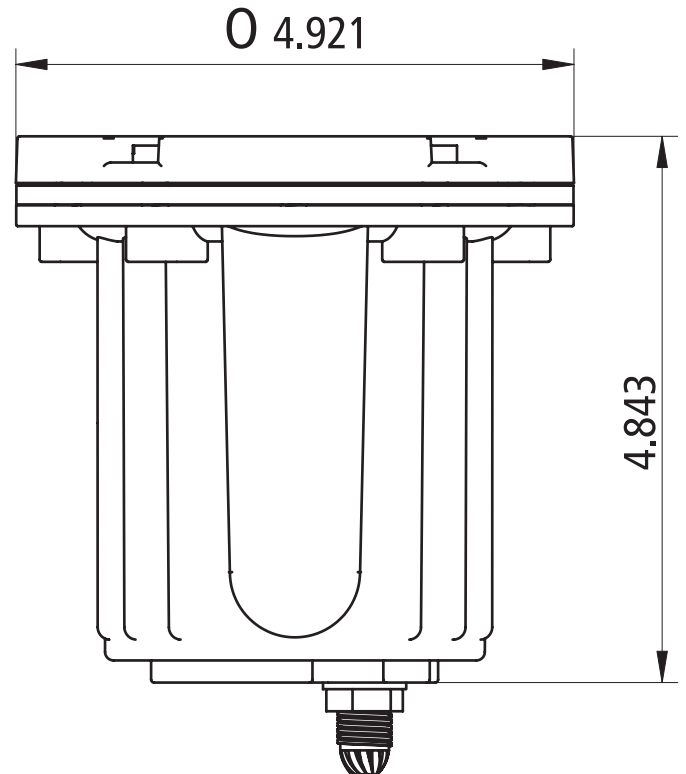


SPECIFICATIONS

Base: Injection Molded Poly
Top: Solid Brass
Visible Finish: Classic Brass
Lead Wire: 36" 18/2 Direct Burial Lighting Wire
Lens: Clear Glass (included)
Lamp Type: LED MR16 (not included)
Socket: Ceramic Base Bi Pin with Nickel Contacts and Coated Wire Lead
Maximum Lamp Rating: 50 watt
Voltage: 12-volt
Power Supply: Low-Voltage Transformer (Not Included)

FEATURES & BENEFITS

Classic, clean design
Water resistant
Easy to install
Louvered top



BACKED BY TOTAL LIGHT LIFETIME WARRANTY