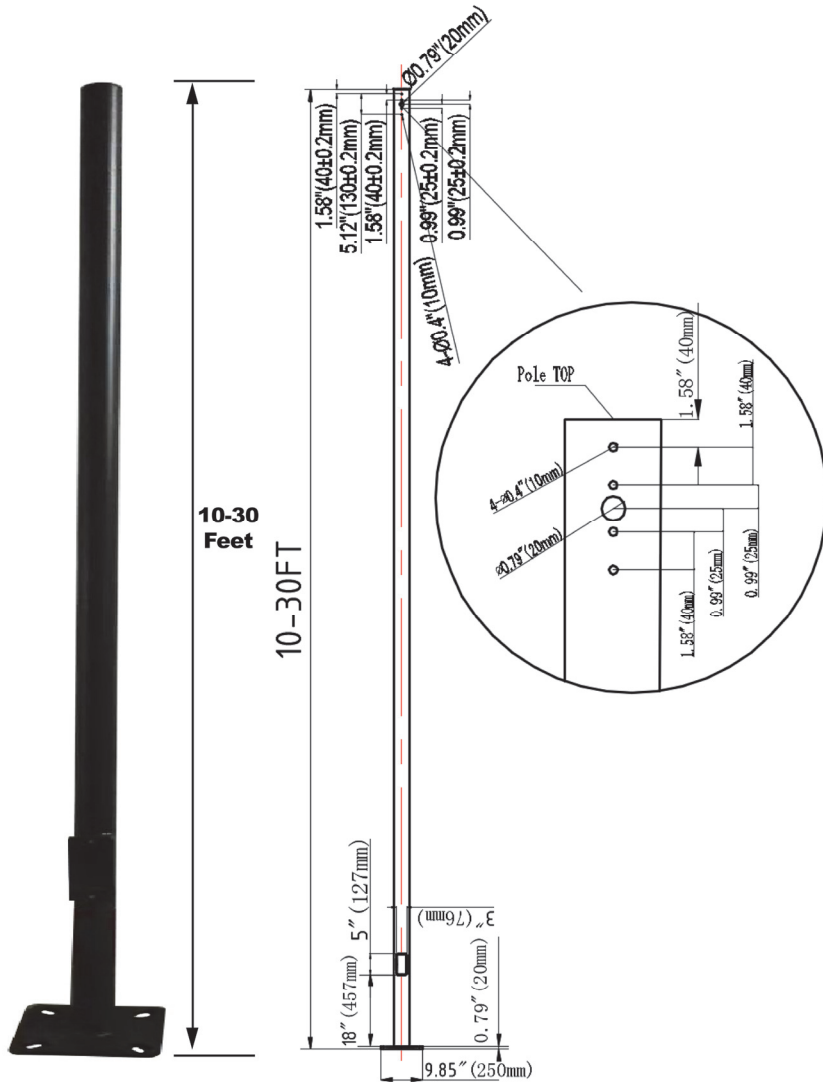


Straight Round aluminum poles, 4" & 5" & 6"



The WISDOM Series Round aluminum poles are built from high strength aluminum Round tube and are available side drilled for arm mounted area lighting luminaires or with tenon mounts for flood and post top luminaires. Typical area lighting applications include retail centers, industrial parks, schools and universities, public transit and airports, office buildings and medical facilities. Mounting heights of 10 to 30 feet can be used based on selected luminaire application.

Specifications and Features: Pole

Specifications:

The pole shaft is extruded from seamless 6061-T6 aluminum. Conforms to ASTM F1554 Grade 55.

Finish:

Textured Architectural Bronze Powdercoat Finish, Baked to Ensure Maximum Paint Adhesion, Hardness and Durability.

Anchor Bolts:

Anchor Bolts are Included, Sized Based on Pole Data Charts for the Selected Pole Size.

Base Cover:

Poles are Provided With a Two-Piece Formed aluminum Base Cover that is Easily Assembled and Fitted Over Pole Base.

Pole Length:

Poles are Available in Standard Lengths as Shown in the Order Matrix. Poles can be Custom Cut to Order. Consult Factory.

Mounting Options:

Standard Length Poles Include 2 3/8" OD Tenon, Side Drilled 2@180 Degrees, Polycarbonate Top Cover and Hole Plugs for Unused Drilling Locations.

Cut To Order Poles can be Side Drilled for 2@180 Degrees, Includes Polycarbonate Top Cover and Hole Plugs for Unused Drilling Locations.

Cut To Order Poles May Also Be Ordered With 2 3/8" OD Tenons for Use With Post Top Decorative Luminaires, Flood/Area Slip Fitter Fixtures, or Any of a Wide Variety of Pole Top Mounting Accessories.

4 inch Flange dimensions	5 inch Flange dimensions	6 inch Flange dimensions	4 inch Flange base cover size	5 inch Flange base cover size	6 inch Flange base cover size

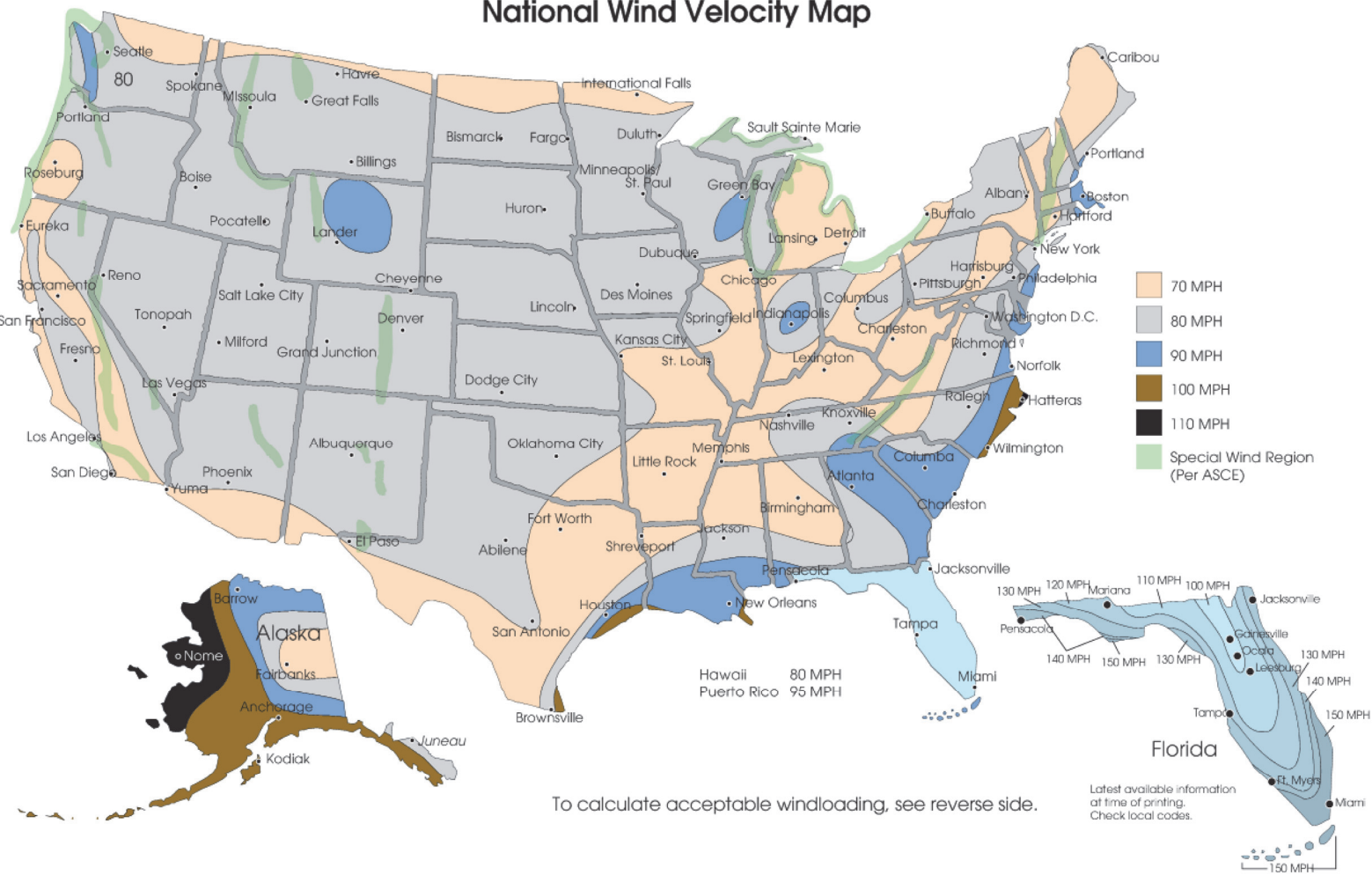
Specifications:

Specification type	10FT	15FT	20FT	25FT	30FT
WSD-RAL10FT4-125-D					
WSD-RAL15FT4-125-D					
WSD-RAL20FT4-125-D	L=3.0 (m)	L=4.6 (m)	L=6.1 (m)	L=7.6 (m)	L=9.1 (m)
WSD-RAL25FT5-188(125/250)-D					
WSD-RAL30FT6-188(250)-D					

Dimension data:

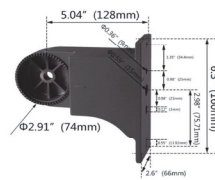
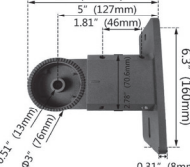
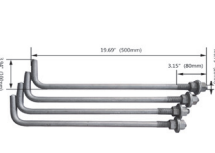
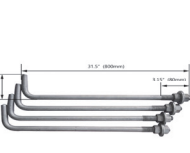
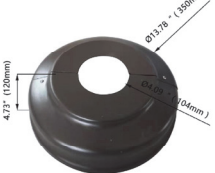
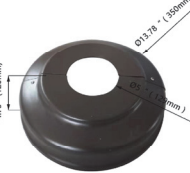
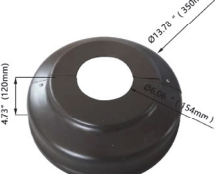
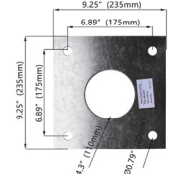
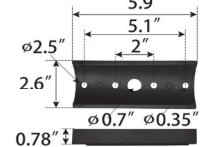
Catalog #	Mt. height	Wall thickness	Shaft size	Pole weight	Bolt projection	EPA 70	EPA 80	EPA 90	EPA 100	EPA 110	EPA 120
WSD-RAL10FT4-125-D	10 ft.	0.125 in.	4 inch	24 lbs.	2.75 in.	28.2	23.5	20.1	14.4	13.3	11.6
WSD-RAL15FT4-125-D	15 ft.	0.125 in.	4 inch	31 lbs.	2.75 in.	18.2	15.5	13.1	11.5	9.9	7.4
WSD-RAL20FT4-125-D	20 ft.	0.125 in.	4 inch	40 lbs.	2.75 in.	12.2	10.3	9	7.2	6	4.6
WSD-RAL25FT5-188(125/250)-D	25 ft.	0.188(0.125/0.25) in.	5 inch	89 lbs.	2.75 in.	11.9	8.9	7.7	6.1	5.6	4.2
WSD-RAL30FT6-188(250)-D	30 ft.	0.188(0.25) in.	6 inch	97 lbs.	3.375 in.	9.2	7.4	6.1	5.8	4.8	3.2

National Wind Velocity Map



To calculate acceptable windloading, see reverse side.

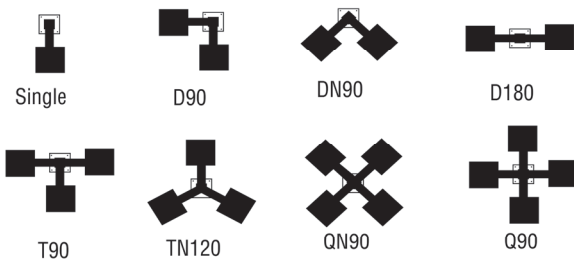
MOUNTING OPTIONS:

	<p>NO. WSD-NEWSBARM2-D Finish: Dark Bronze Arm Mount 4" and 5" Square and Round poles. Standard versatile mounting arm is simple to install and can be used with existing poles for retro installations.</p>		<p>NO. WSD-NEWSBSF2-D Finish: Dark Bronze Slipfitter Mount An optional cast aluminum mast arm adapter secures fixture head to nominal 2"(2-3/8"O.D. pipe size) horizontal steel tenon arm.</p>
	<p>NO. WSD-SBT-D Finish: Dark Bronze Easy to install for direct wall mounting with 1/2" conduit wiring.</p>		<p>NO. WSD-SFARM2-D Finish: Dark Bronze SFARM2 Mount An optional cast aluminum mast arm adapter secures fixture head to nominal 2"(2-3/8"O.D. pipe size) horizontal steel tenon arm.</p>
	<p>Base Mounting Screw NO. WSD-BMS-S Finish: Silver Before installing the lamp pole, the installation hook should be buried underground and fixed by cement. After fixing, the lamp pole should be fixed by locking screw and base installed.</p>		<p>Base Mounting Screw NO. WSD-BM20SL800-S Finish: Silver Before installing the lamp pole, the installation hook should be buried underground and fixed by cement. After fixing, the lamp pole should be fixed by locking screw and base installed.</p>
	<p>Install Base Shield NO. WSD-IBR4-D Finish: Dark Bronze The 4" Installation of base shield is used to protect the base after fixing the lamp pole, so that the lamp pole base is not damaged, thereby increasing the service life of the lamp pole.</p>		<p>Install Base Shield NO. WSD-IBR5-D Finish: Dark Bronze The 5" Installation of base shield is used to protect the base after fixing the lamp pole, so that the lamp pole base is not damaged, thereby increasing the service life of the lamp pole.</p>
	<p>Install Base Shield NO. WSD-IBR6-D Finish: Dark Bronze The 6" Installation of base shield is used to protect the base after fixing the lamp pole, so that the lamp pole base is not damaged, thereby increasing the service life of the lamp pole.</p>		<p>Screw Positioning Plate NO. WSD-SPP235 This is a screw rod positioning plate. After the screw rod of the lamp rod base is fixed underground, the positioning plate is fixed with the screw rod to prevent the screw rod from deviation. Finally, the lamp rod is locked.</p>
	<p>Arm Square tube turn tube Tenon Adaptor NO. WSD-ARM-BAR-D Finish: Dark Bronze USE: square tube light bar installation, with Arm installation of lamps.</p>		<p>Arm Square tube turn tube Tenon Adaptor NO. WSD-SADP-BAR-D Finish: Dark Bronze USE: square tube light bar installation, with Arm installation of lamps.</p>

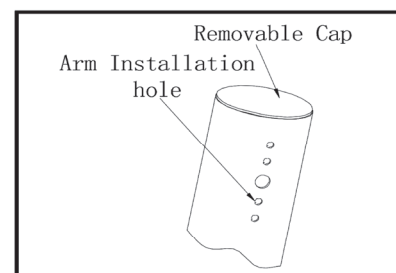
ORDERING EXAMPLE: WSD-RAL10FT4-125-D

WSD	RAL	10FT	4	125	D
Company	Product	Height	Size	Wall Thickness	Finish
WSD LED INC	Round aluminum pole	10FT (3.0M)	4 (4inch) 5 (5inch) 6 (6inch)	125 (0.125inch) 188 (0.188inch) 250 (0.250inch)	D Dark Bronze
		15FT (4.6M)			
		20FT (6.1M)			
		25FT (7.6M)			
		30FT (9.1M)			

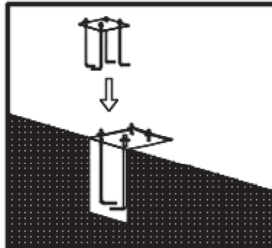
Fixture Configurations:



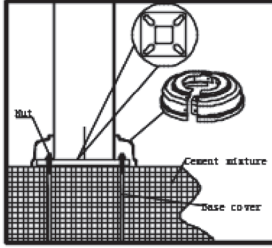
Light pole top:



Installation:

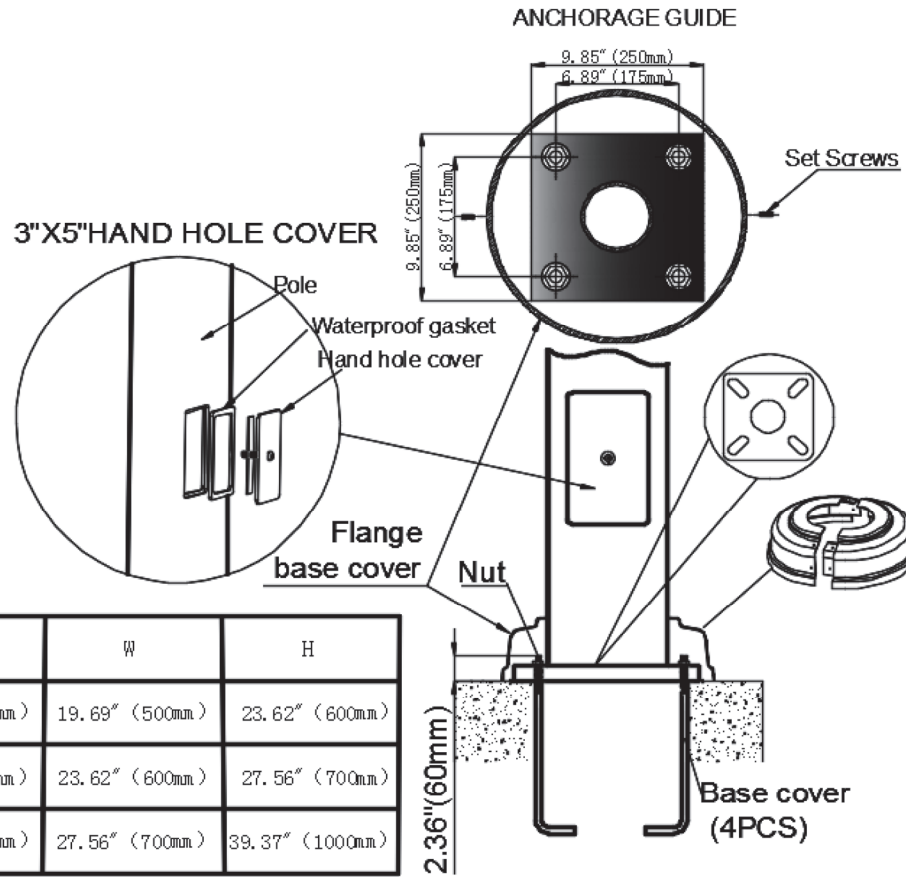


1. Dig a hole in the installation position of the lamp pole. Fixed four fastener fittings according to the hole position of lamp pole and poured with cement concrete. (as shown in the figure)



2. Align the four bolts of the lamp pole to the mounting hole of the lamp pole. After fixing the lamp pole with a nut, install a protective cover at the lower end of the lamp pole. (as shown in the figure)

ANCHORAGE GUIDE



9.85" (250mm)
6.89" (175mm)
9.85" (250mm)
6.89" (175mm)
Set Screws
Pole
Waterproof gasket
Hand hole cover
Flange base cover
Nut
Base cover (4PCS)
2.36" (60mm)

Foundation reference specification

Specifications	L	W	H
10-15FT	19.69" (500mm)	19.69" (500mm)	23.62" (600mm)
20-25FT	23.62" (600mm)	23.62" (600mm)	27.56" (700mm)
30FT	27.56" (700mm)	27.56" (700mm)	39.37" (1000mm)