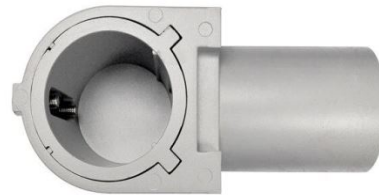
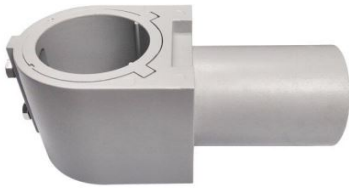




# Round Post Top Adaptor



## Order Number:

- WSD-ADP25-30-S Sliver
- WSD-ADP25-30-W White
- WSD-ADP25-30-D Dark Bronze

## MOUNTING

- LED Street Light connector Provide two different installation methods:
- 1、 2.5 inch installation.
- 2、 3 inch of installation.

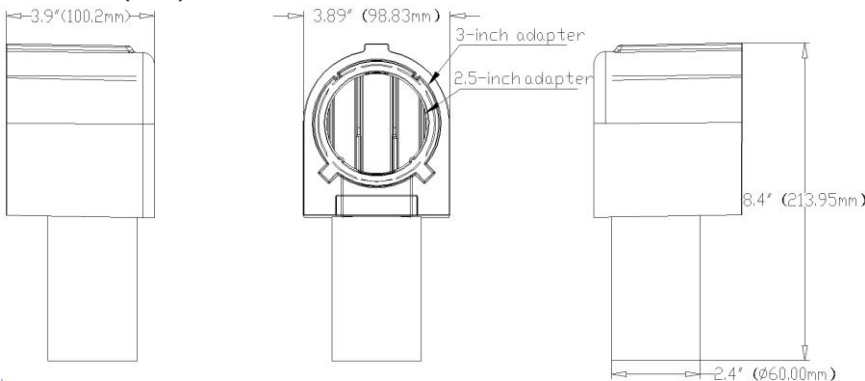
## 2.5 inches of installation

WISDOM LED Street Light connector:

- 1、 Transfer the 2.5-inch adapter to the 3-inch adapter.
- 2、 Reconnect the adapter to the 2.5-inch lamppost.

## 1.Specifications

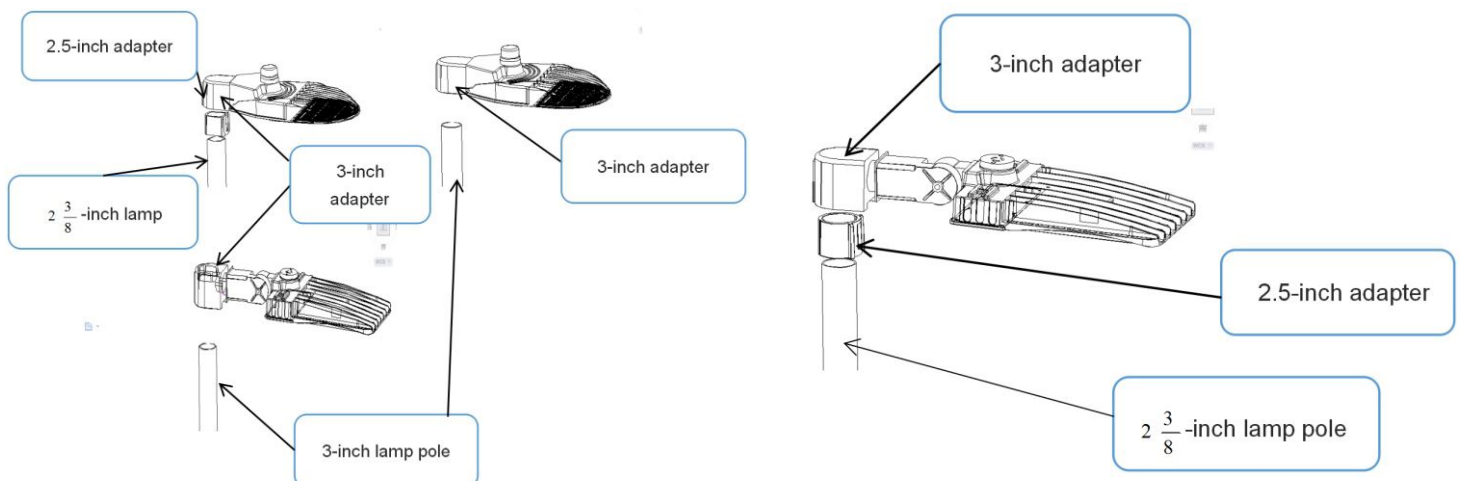
Unit : inch (mm)



## Structure Features

- Shell materials: Die casting aluminum
- Finish: Silver/Dark Bronze/White
- Net weight : 1.75Kg (3.86 lbs)
- Product Size: 213.95mm\*98.83mm\*100.2mm
- Carton Size: 220mm\*114mm\*114mm

## 2.Installation diagram



## 3. inches of installation Put the adapter on the 3-inch lamppost

WISDOM OPTOELECTRONICS TECHNOLOGY CO., LIMITED

Add: FLOOR 8,BUILDING B1 SUNSHINE INDUSTRIAL PARK HEZHOU  
XIXIANG BAOAN DISTRICT SHENZHEN, GUANGDONG , CHINA, 518126.

Tel: +86 755 2744 8585  
+86 755 2744 8884  
Fax: +86 755 2744 8089  
Email: leo.zhu@wisdom-ssl.com  
Website: www.wisdom-ssl.com