

LED AREA SERIES POST TOP



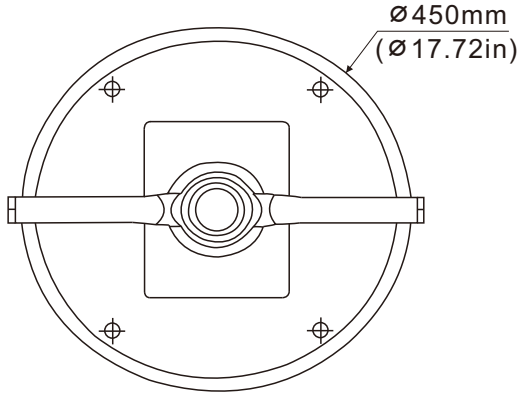
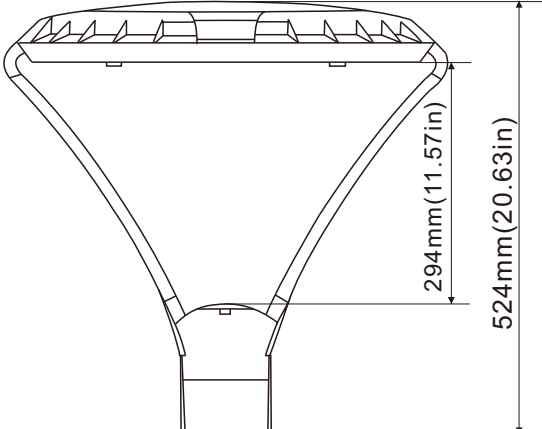
PRODUCT DESCRIPTION

The area series has the high-performance solution for the most demanding applications within a unique design. With different precision refractive optical lens and an easy-install design, it can be used in many applications such as pedestrian street, factory, schools, garden, courtyard, hotel, parking lot, public parks etc.

FEATURE

1. Air cooling Design
2. IP67 Rated Enclosure
3. Post top or Pendant Mounting
4. Superior Low-glare Illumination
5. Fade-resistant coating
6. Optional double gray, Black, or silver color

*If the customer does not specify a requirement, the inner diameter defaults to 60mm.
 In addition to D60mm, you can also choose D76mm, if you need D76mm, please contact the sale.



Ordering Information

Area Series	Watts	Version	CCT	Voltage	Control	Installation	Beam Angle	Color
BB-LD	30W	AR-H	SW-2700K	Blank-100-240VAC	Blank - without control	P1- 2.4"(60mm)pole P2- 3.0"(76mm)pole	T1-Type I	Blank - Double Gray BL - Black SL - Silver
	50W		WW-3000K				T2-Type II	
	75W		NW-4100K				T3-Type III	
	100W		DW-5000K				T4-Type IV	
	150W		CW-5700K				T5-Type V	
			SCW-6500K					

- Notes:
1. 130lm/w, 150lm/w is optional, the default is 130lm/w.
 2. Optional variety of angles: TYPE I, TYPE II, TYPE III, TYPE IV, TYPE V.

Special Order-Ask Customer Service

PERFORMANCE DATA

Power	30W	50W	75W	100W	150W
Model	BB-LD-30W-AR-H	BB-LD-50W-AR-H	BB-LD-75W-AR-H	BB-LD-100W-AR-H	BB-LD-150W-AR-H
Luminous Flux	3900lm	6500lm	9750lm	13000lm	19500lm
Replacement	HPS 100W	HPS 150W	HPS 250W	HPS 300W	HPS 500W
Light Source	SMD LED				
Luminous Efficacy	130lm/w 150lm/w available				
Color	Double Gray/Black/Silver(If the customer does not request, the default color is Double Gray)				
Cover	Transparent cover				
Support tube diameter	Options: P1.Diameter 60mm(2.4in) P2.Diameter 76mm(3.0in)				
Operation Temp.	-40 to +45°C				
CCT	2700K SW / 3000K WW / 4100K NW / 5000K DW / 5700K CW / 6500K SCW				
CRI	70+				
Life Span	50,000 hours at 25°C				
Voltage	100-240VAC/50-60HZ				
Product Size	450x450x523.5mm				
With Sensor	Daily sensor available				
Beam Angle	Options: TYPE I、TYPE II、TYPE III、TYPE IV、TYPE V.(Default:TYPE III)				
IP	67				
PF	>0.95				
Warranty	5 Years				

PROJECTS

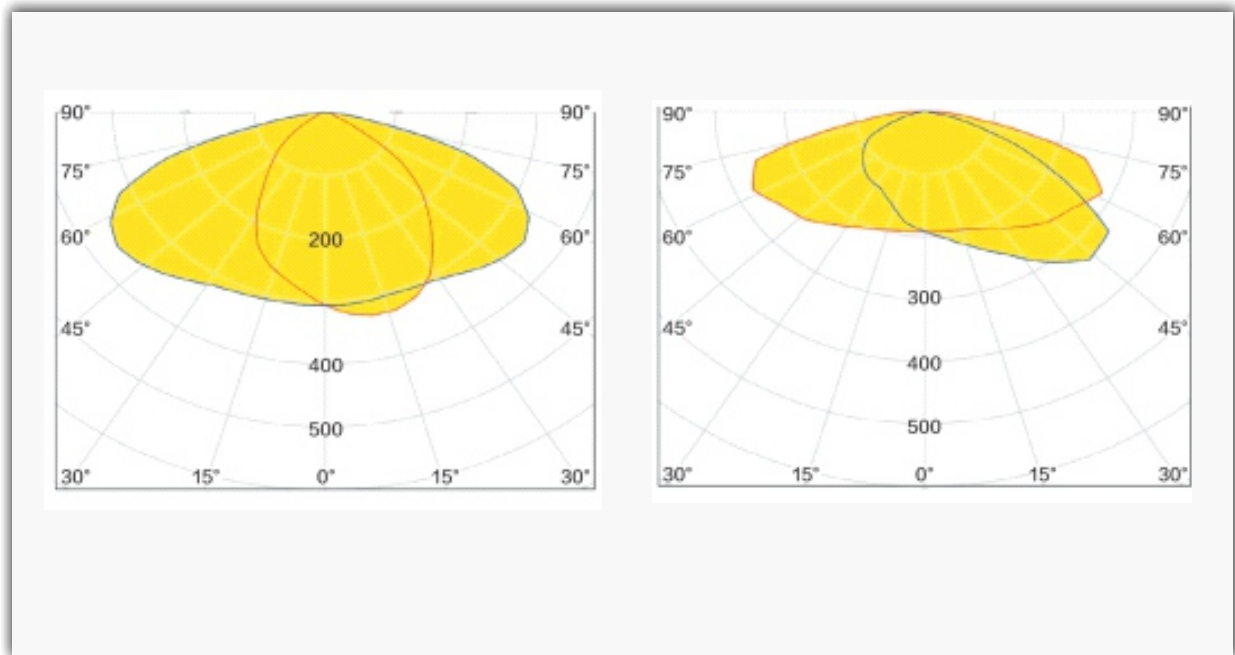
By using our 100W Area Light to replace 300W Metal Halide bulb for parking area lighting fixtures, the customer is now able to save a lot per month from his electric bill.



Notes:

1. Don't take the LED lamp apart.
2. The LED lamp must work under the right voltage according to the specification.

LUMINOUS INTENSITY DISTRIBUTION



APPLICATION

- Courtyard lighting
- Public parks lighting
- Street scapes lighting
- Parking areas lighting
- Hotel lighting



Street scapes lighting



Hotel lighting

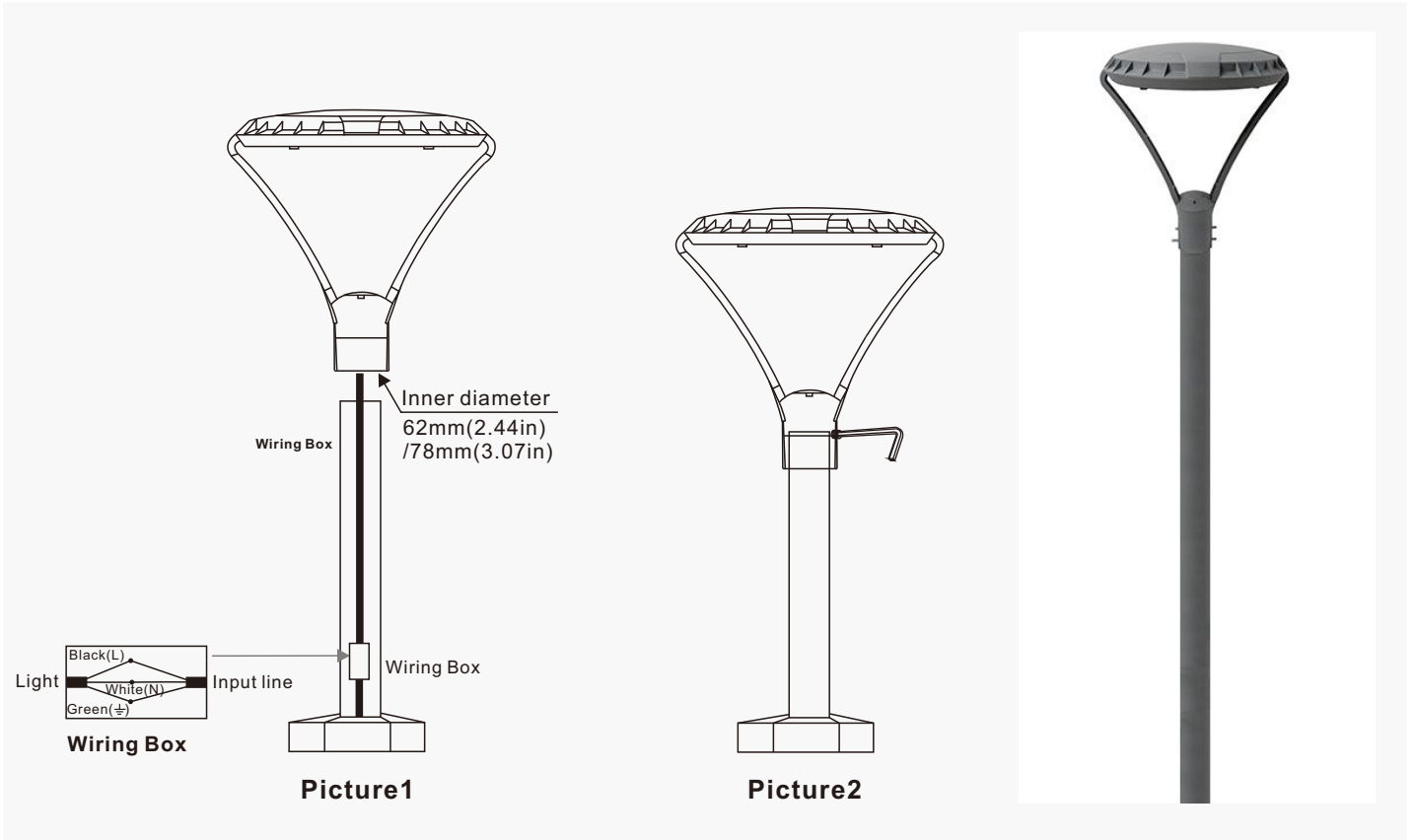


Public parks lighting

INSTALLATION

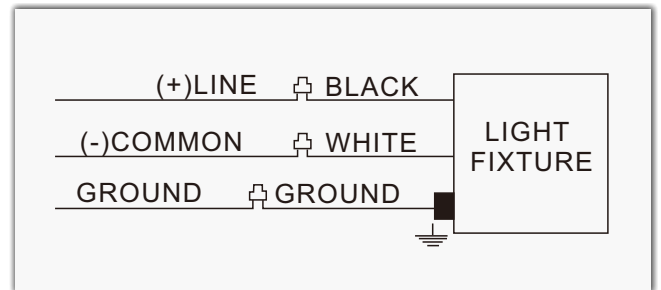
Pole mounting

- Turn off the power before installation.
- Wiring right in the wiring box ("Black" is connected to "L", "White" connect to "N", "Green" to "Ground") and set the lamp into the bracket by the hole. (picture1).
- We should fasten the eight screws with a hex wrench, and finished (picture2).

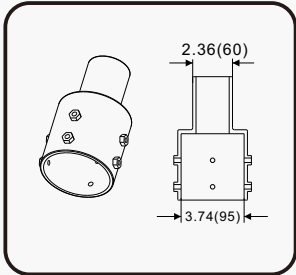


Wiring

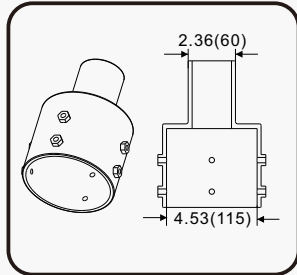
- Connect the black fixture lead to the (+) LINE supply lead.
- Connect the white fixture lead to the (-) COMMON supply lead.
- Connect the green Ground wire from fixture to supply ground.



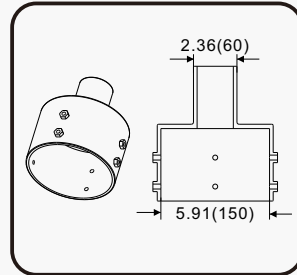
Optional Accessories



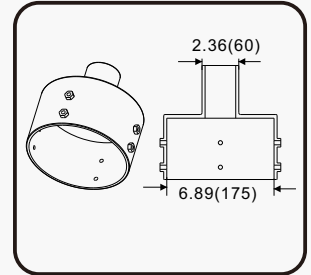
MGD03(2.4" to 3.5" round pole)



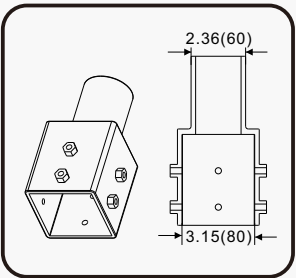
MGD04(2.4" to 3" square or 4" round pole)



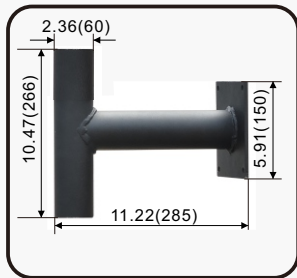
MGD08(2.4" to 4" square or 5.5" round pole)



MGD09(2.4" to 6.5" round pole)



MGD10(2.4" to 3" square pole)



Wall Bracket

PACKING INFO



Item	Packaging	Carton Size(mm) (L*W*H)	N.W	G.W	Volume weight
All models	1pc/CTN	19.3"X19.3"X21.7" 490*490*550mm	13.7 lbs 6.2kg	16.5 lbs 7.5kg	63.9 lbs 29.0kg