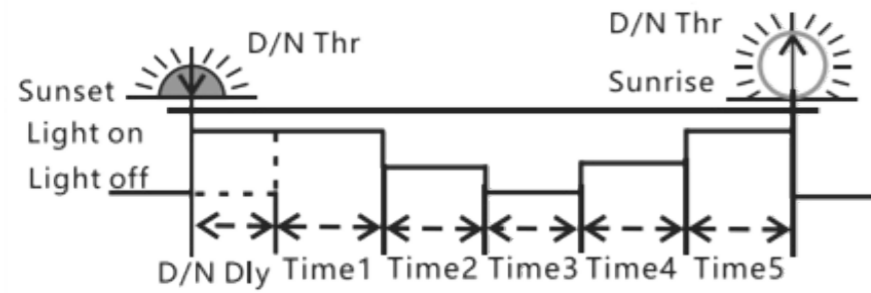


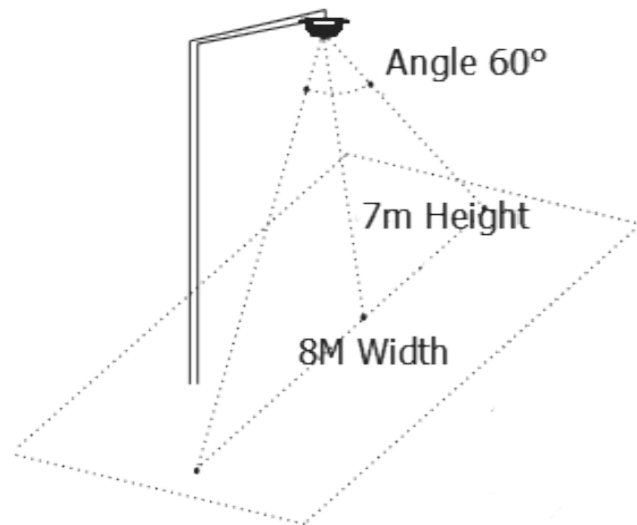
5 Stage Night Mode



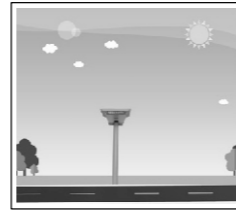
* Please note the Sensor function is only available at Time 3 and Time 4

*You can set the fixtures with 5 stages timmer dimming yourself by the remote Controller.

PIR Sensor Detect Areas



Factory Default setting



With Sufficient natural light, the light keeps charging



1st 4hours from light switches on, the light keeps 100% brightness when presence is detected



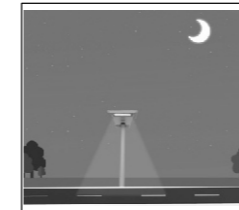
The light keeps 30% when there is no presence is detected after 30S hold time in the 1st 4 Hours



The light keeps 60% brightness when there is presence is detected from 5th to 8th Hours after light switches on



After 30S hold time within 5th to 8hours , the light dim to 20% brightness when there is no presence is detected



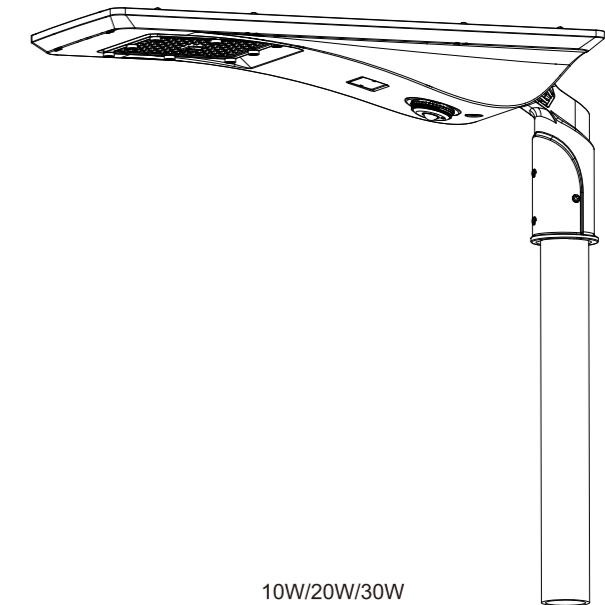
The light keeps 10% brightness for 3Hours until the Sunrise.

The Controller recognizes day and night based on the Solar Array Open Circuit Voltage, this day/night threshold can be modified according to local light conditions and the Solar Array Used, setting range 3.0 ~8.0V

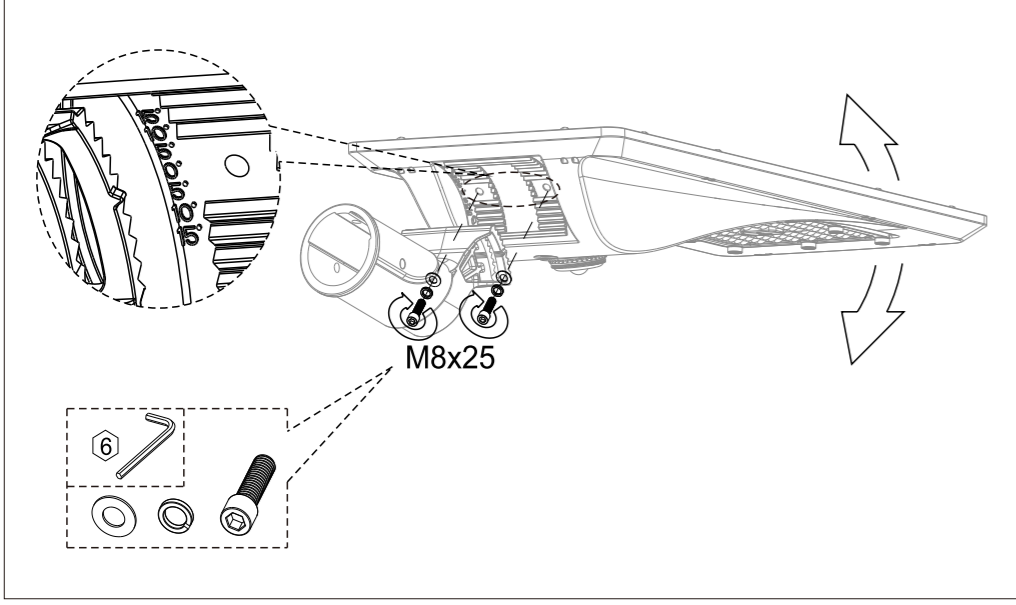
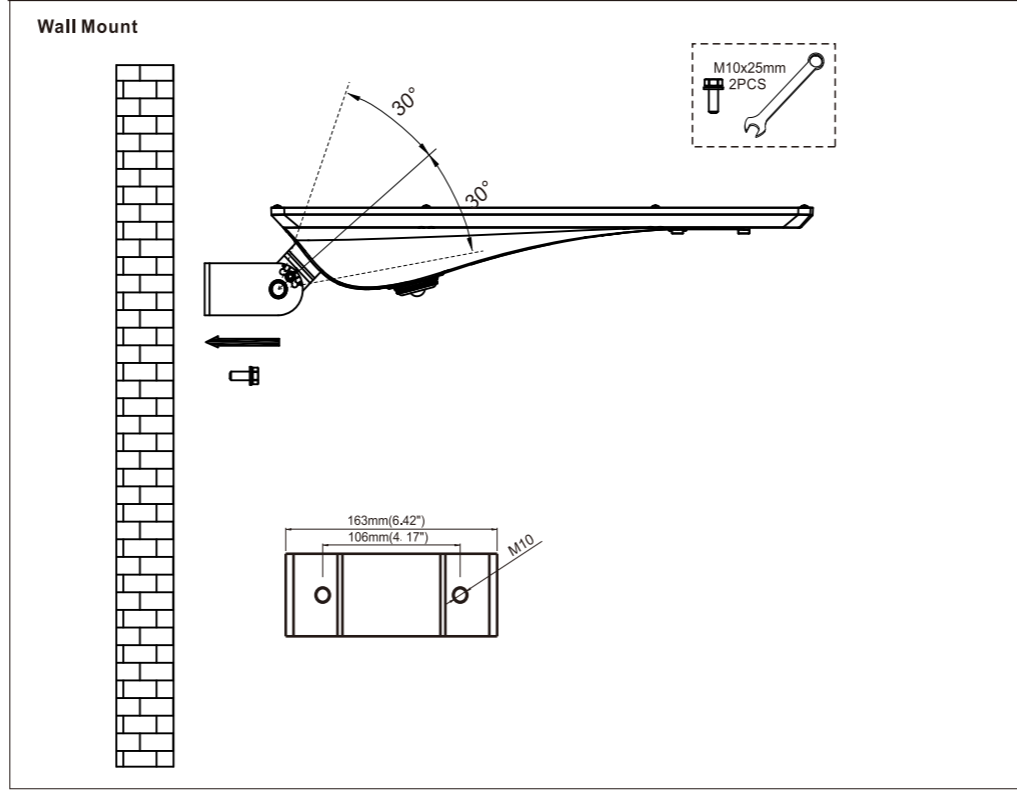
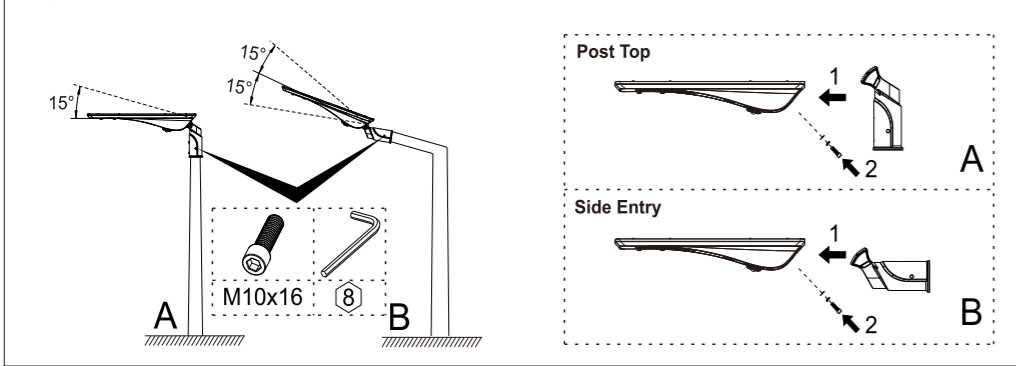
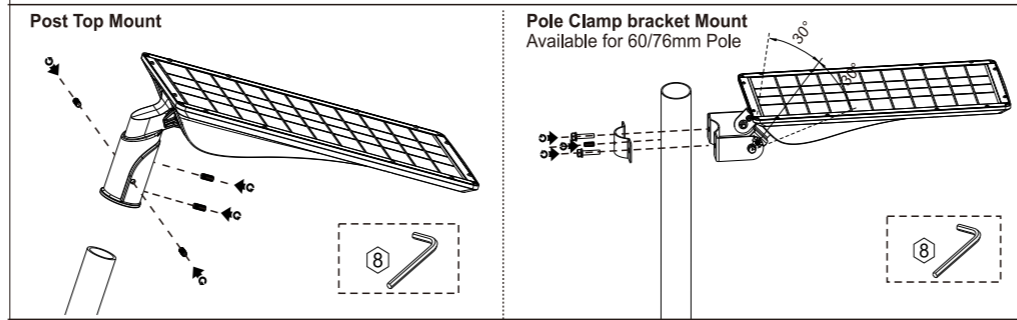
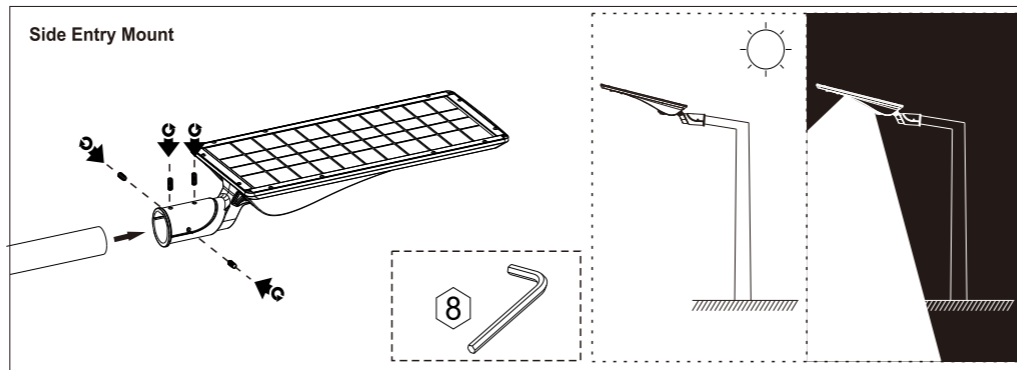
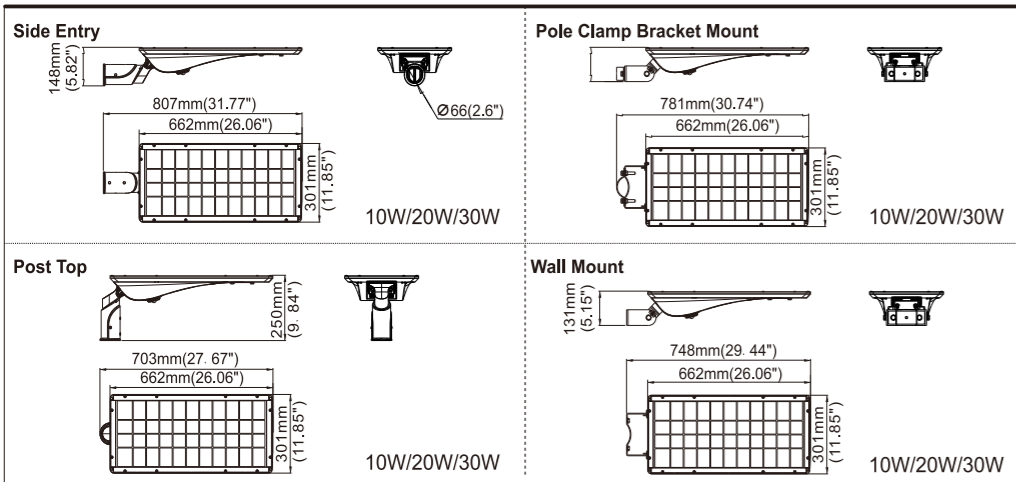
For more details, Please refer to the specification sheet of the Controller and Remote Controller.

LED Street Light

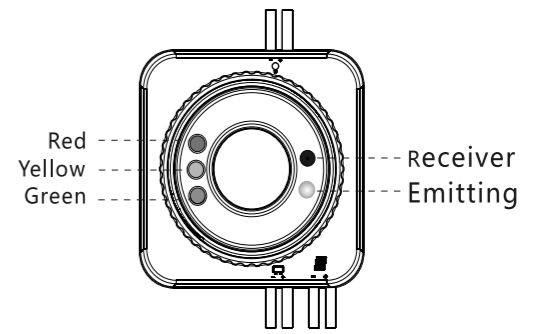
Instruction Manual



10W/20W/30W



LED indications and Faults & Alarms



LED Display Explanation

LED	Status	Function
Green LED	On	not charging
	Slow flash(0.5/2s)	Charging
Yellow LED	Off	Over voltage protection
	On	Battery is normal
	Slow flash(0.5/2s)	Battery voltage is low
	Fast flash(0.1/0.1s)	Low voltage protection
Red LED	Slow flash(2.5/2.5s)	Work normal
	On	The output power is 0.
	Fast flash(0.1/0.1s)	Short circuit or Over current protection
	Flash(0.5/0.5s)	Over temperature protection
	Super slow flash (0.2s on/5s off)	Open circuit or transport mode. *1

*1.If the controller is in transport mode, the red LED is super slow flash(0.2s on/5s off), the green and yellow led is off.

*2.Detailed fault information can be read by S-Unit remote controller.