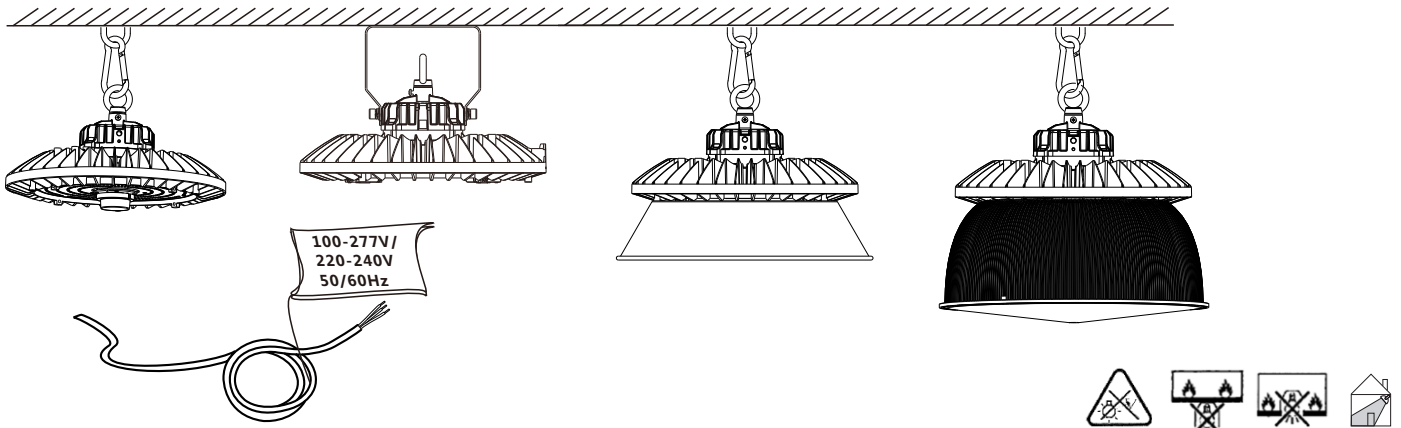
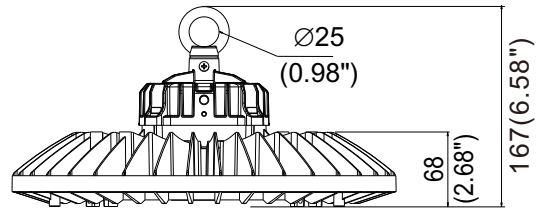
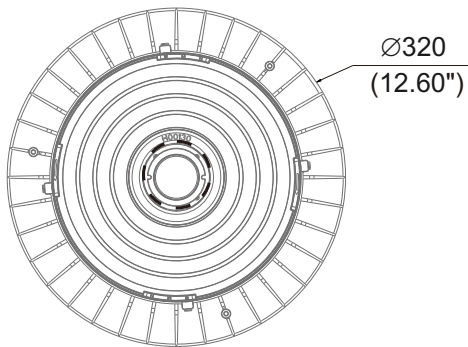


LED High Bay Light

Installation Instructions

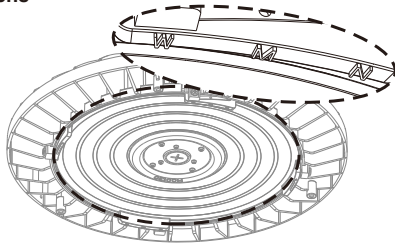


Physical Dimensions (Unit: mm/inch)

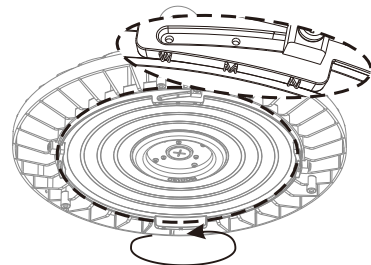


150W/200W

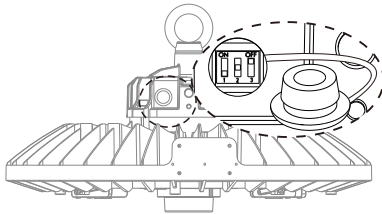
Rotatable lens



W-Wide beam
M-Medium beam
N-Narrow beam



Adjustable power



1	2	3	
●	○	○	150W
○	●	○	120W
○	○	●	100W
○	○	○	80W

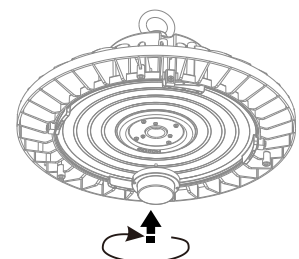
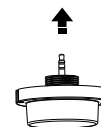
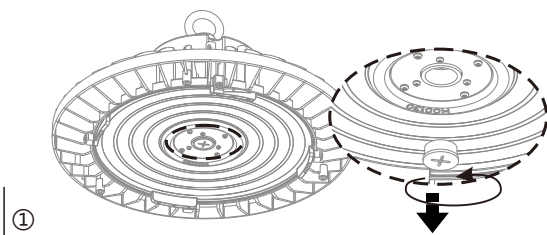
Max.150W



1	2	3	
●	○	○	200W
○	●	○	150W
○	○	●	120W
○	○	○	100W

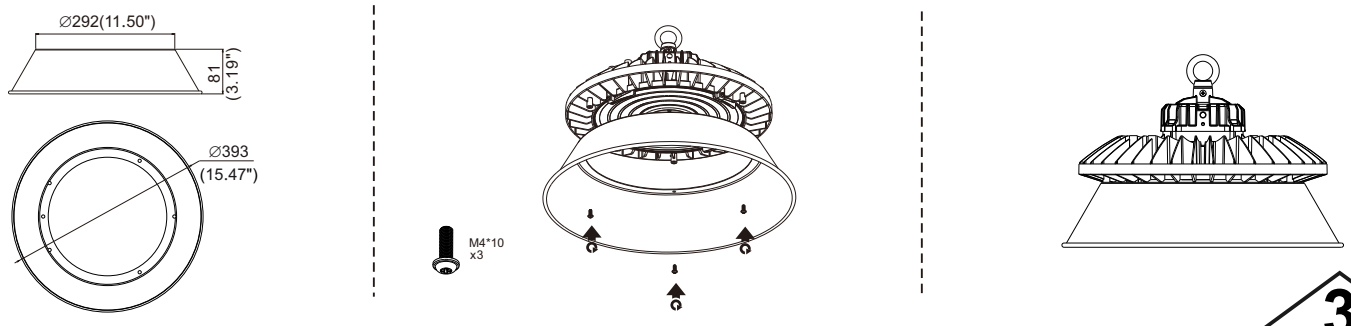
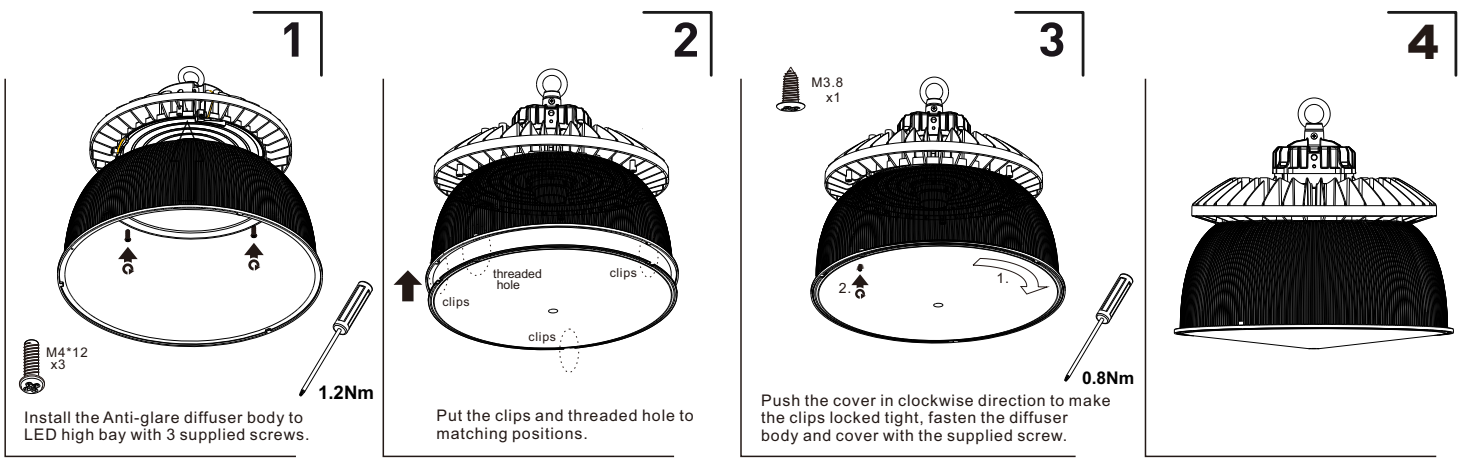
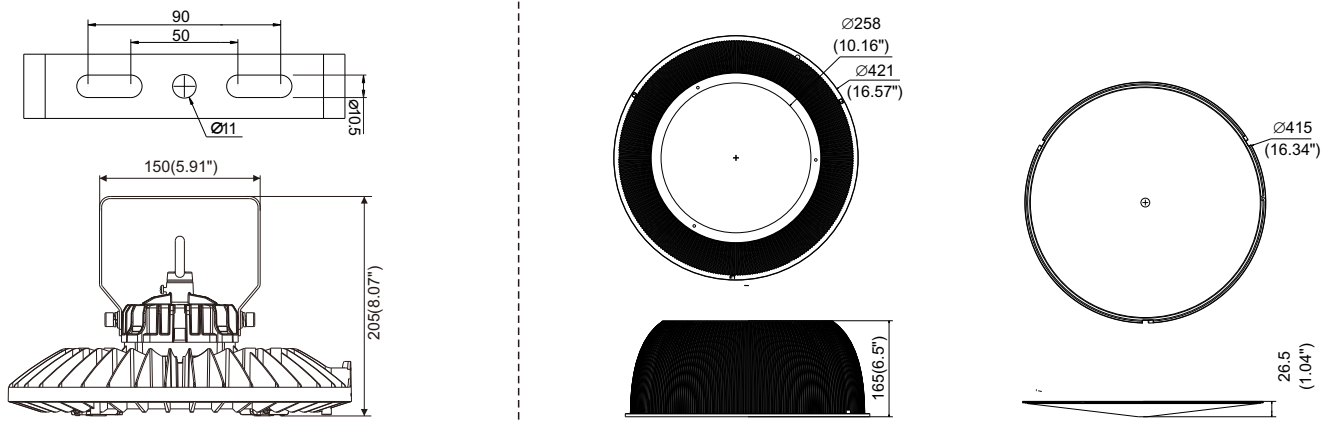
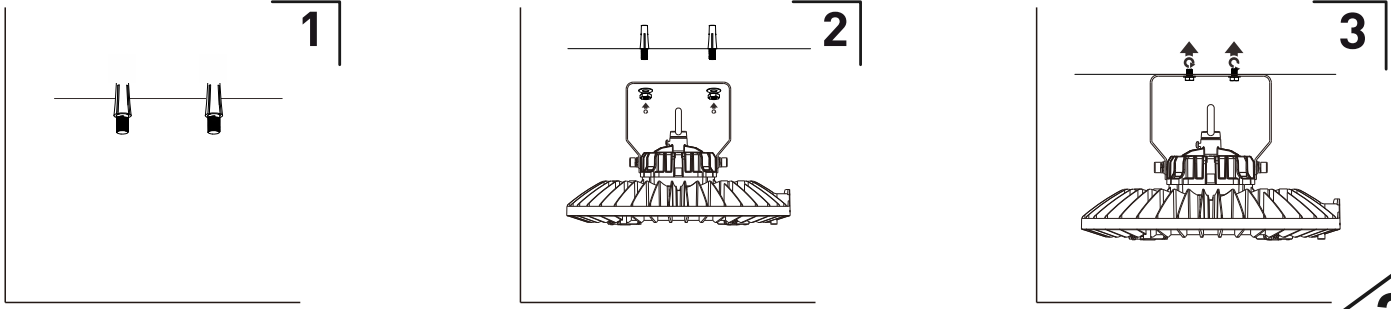
Max.200W

Motion sensor



LED High Bay Light

Physical Dimensions(Unit: mm/inch)



L	brown	black
N	blue	white
⊕ GND	yellow/green	green

Dimmable

DIM+ / DA1	blue	brown	purple	white
DIM- / DA2	white	blue	gray	black

•if the external flexible cable or cord of this luminaire is damaged, it shall be exclusively replaced by the manufacturer or his service agent or a similar qualified person in order to avoid a hazard.