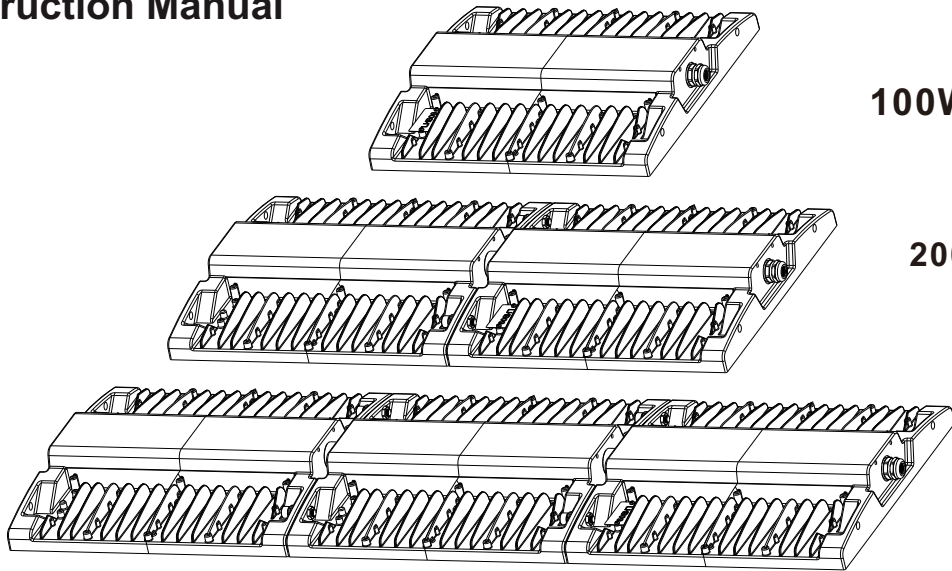


# LED Linear High Bay Light

## Instruction Manual



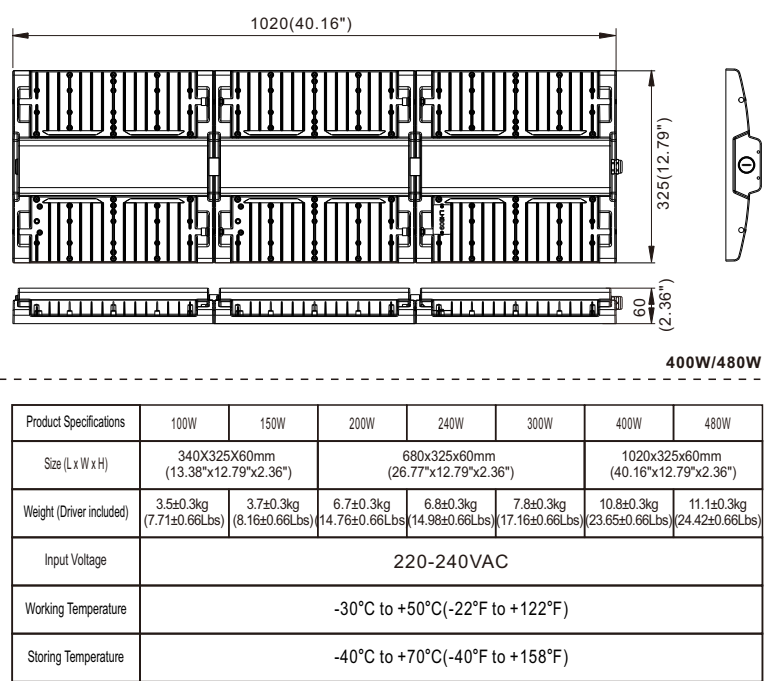
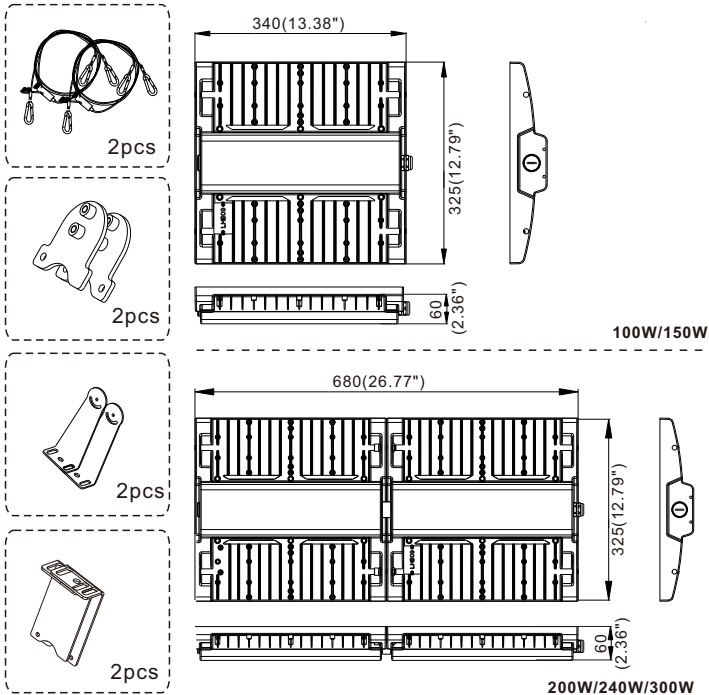
100W/150W

200W/240W/300W

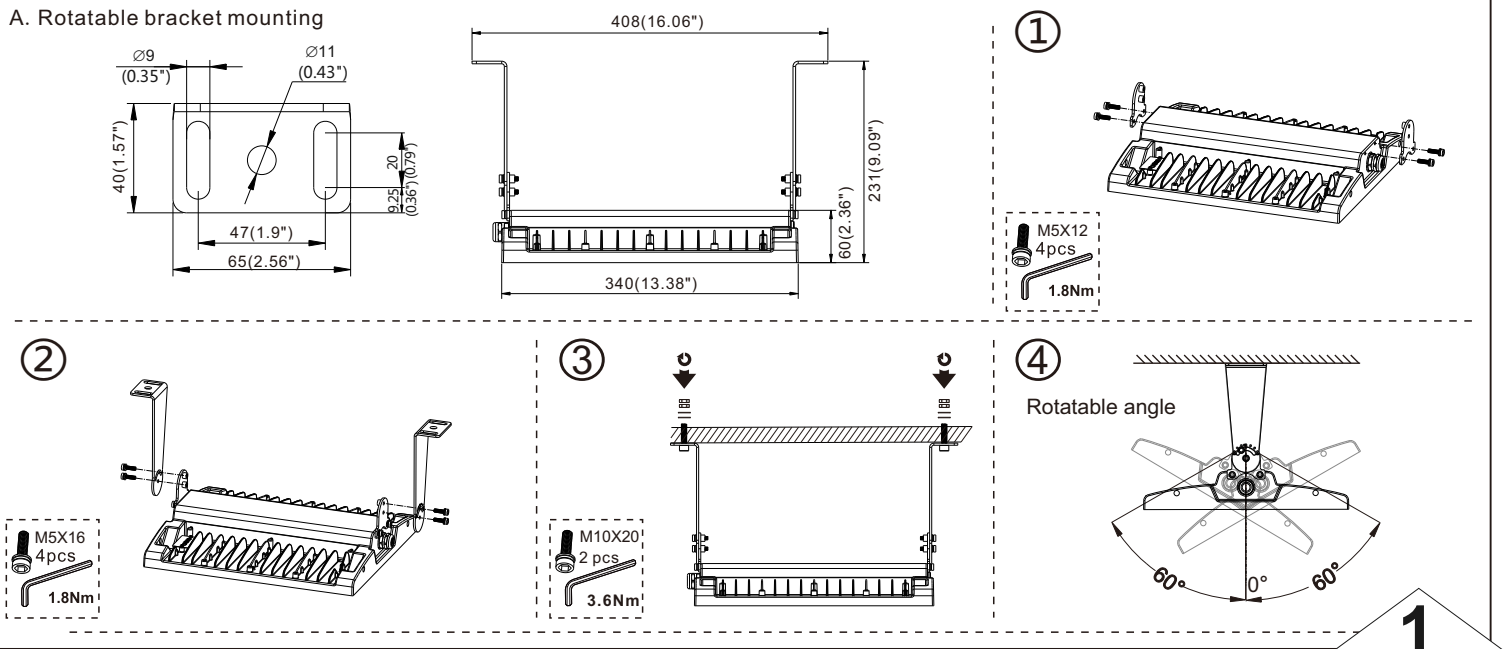
400W/480W



### Physical Dimensions (Unit: mm)

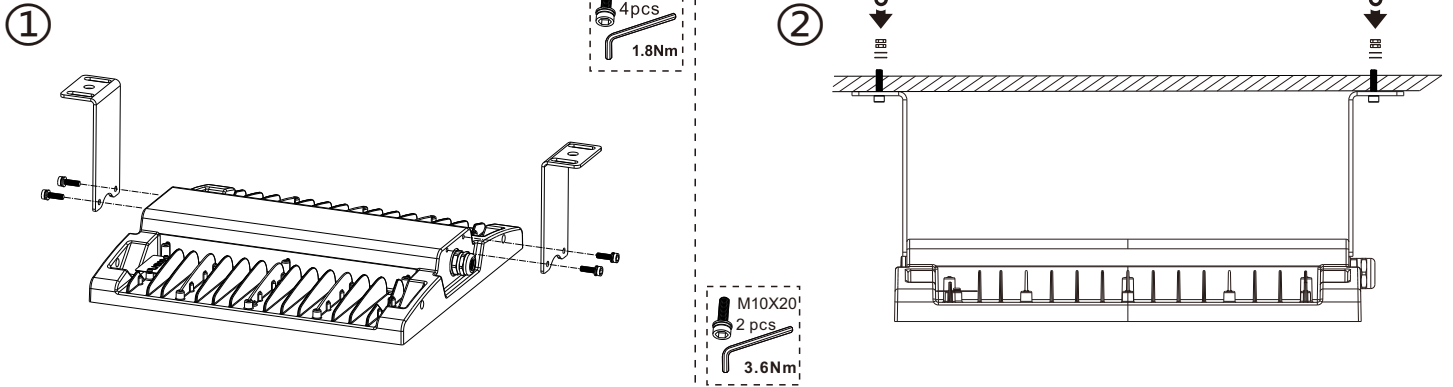


### A. Rotatable bracket mounting

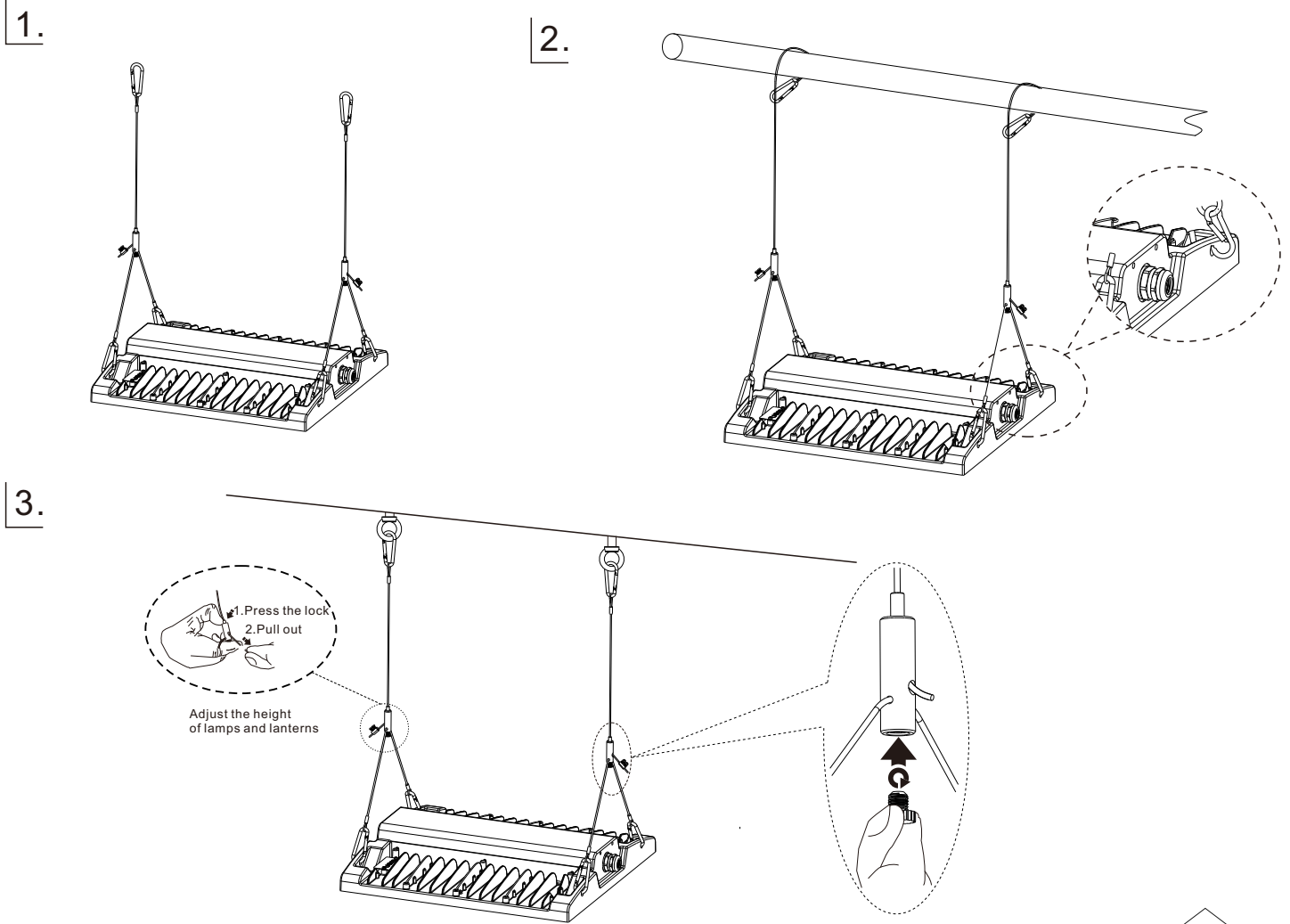


# LED Linear High Bay Light

## B. Bracket mounting



## C. Suspension mounting



2

L	brown	black
N	blue	white
⊕ GND	yellow/green	green

Dimmable

DIM+ / DA1	blue	brown	purple	white
DIM- / DA2	white	blue	gray	black

•if the external flexible cable or cord of this luminaire is damaged, it shall be exclusively replaced by the manufacturer or his service agent or a similar qualified person in order to avoid a hazard.

3