



Description

BL01 is an innovative bollard light which enhance the aesthetic and creative of city in IP66 , thanks to its architectural design and UV resistant PC material to accommodate the demands of different areas in pathway, gardens, sidewalks, building entrance and etc.

Key Features

- IP66 and IK10
- Unique and gorgeous appearance
- Visor is available as accessory
- Professional Type V light distribution

Applications

- Gardens
- Pathways
- Sidewalk
- Building Entrance

Electrical Information		
Model No.	BL01-014	BL01-024
Power Consumption(±10%)	14W	24W
Power Supply	Weledpower	
Input Voltage	100-277 VAC , 50 / 60 Hz	
Power Factor	>0.9	
Surge Protection	2kV line-line, 4kV line-earth / 1kV line-line, 2kV line-earth	
Driver Type	Constant Current (CC)	
Control		

Optic Information		
LED Type	LED 3030	
Luminous Flux (±10%)	1680lm	2880lm
Efficacy(4000K Ra70)	120lm/W(R03203)	
Correlated Color Temperature	4000K (3000K, 5000K optional)	
Color Rendering Index	Ra80 (Ra70 optional)	
Beam Angle	R03203(Type V)	
UGR level	NA	

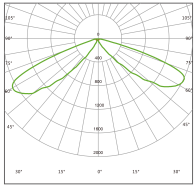
Dimintions and Mount				
Product Dimension	Φ165×500mm (Φ6.5"×19.69")	Φ165×900mm (Φ6.5"×35.43")	Φ165×500mm (Φ6.5"×19.69")	Φ165×900mm (Φ6.5"×35.43")
Luminaire Net Weight	4.5±0.3kg (9.92±0.66Lbs)	6.16±0.3kg (13.58±0.66Lbs)	4.5±0.3kg (9.92±0.66Lbs)	6.16±0.3kg (13.58±0.66Lbs)
Export Carton Size	Lamp body: 360 x 210 x215mm(14.17"×8.27"×8.46") Lamp holder 0.5M: 505x210x215mm(19.88"×8.27"×8.46") Lamp holder 0.9M: 915x210x215mm(36.02"×8.27"×8.46")			
Gross Weight	5.6±0.3kg (12.35±0.66Lbs)	7.56±0.3kg (16.67±0.66Lbs)	5.6±0.3kg (12.35±0.66Lbs)	7.56±0.3kg (16.67±0.66Lbs)
Export Carton Size	Lamp 0.5M: 655x210x215mm(25.79"×8.27"×8.46") Lamp 0.9M: 1065x210x215mm(41.93"×8.27"×8.46")			
Gross Weight	5.2±0.3kg (11.46±0.66Lbs)	7.2±0.3kg (15.87±0.66Lbs)	5.2±0.3kg (11.46±0.66Lbs)	7.2±0.3kg (15.87±0.66Lbs)
Mounting Option	Mounting kit with anchor bolts			
Material	Aluminum Alloy Polycarbonate Optical Lens			
Finish	Powder Coating			
Fixture Color	Black			
EPA	NA			
IK Rating	IK10			
IP Rating	IP66			

Lifespan and Warranty	
Operating Temperature	-30°C to + 50°C(-22°F to 122°F)
Life Time of LED @Ta=25°C	37,843hrs-L90
	78,516hrs-L80
	124,627hrs-L70
Warranty	5 Years

New Features	
<ul style="list-style-type: none"> • 10KV SPD available 	
<p><i>* Please consult us for details.</i></p>	

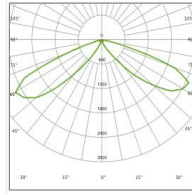
Photometry

14W beam angle



R03203

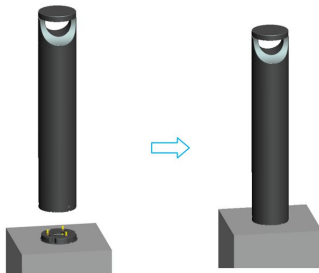
24W beam angle



R03203

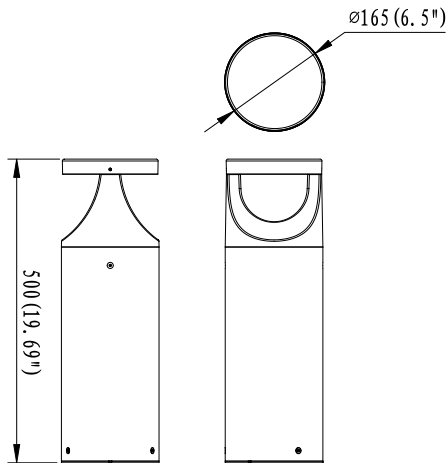
Mounting Options

Mounting kit with anchor bolts

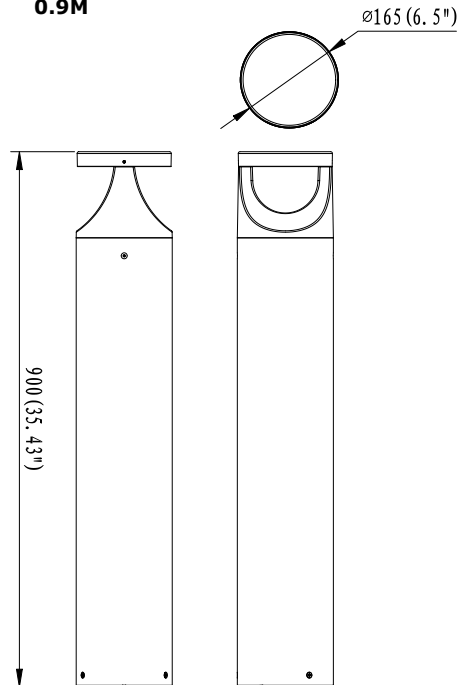


Dimensions

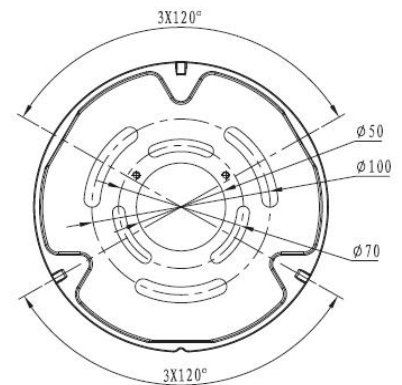
0.5M



0.9M



Base plate templates



Accessories



Round House Side Shield

To reduce glare light

Code: BC-B01-02



Terminal Box

Code: CK-B01-01