

INSTALLATION INSTRUCTIONS

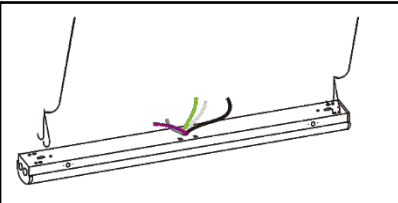
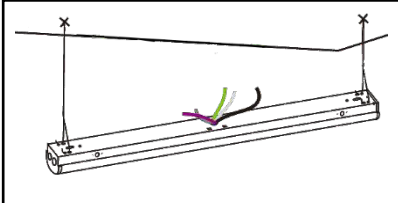
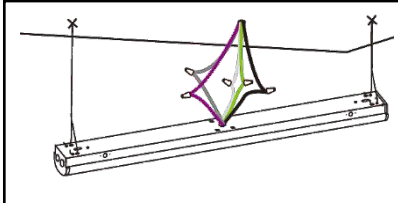
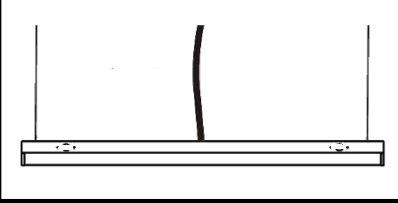
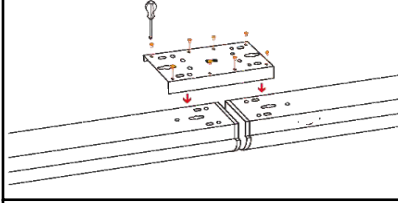
LED STRIP LIGHT

PLEASE read these instructions carefully before installation and keep for reference

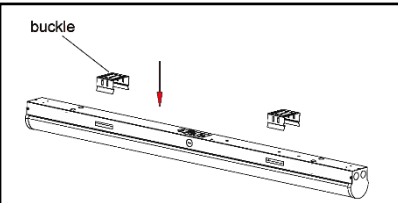
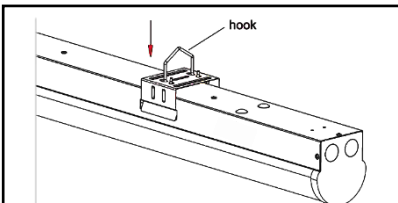
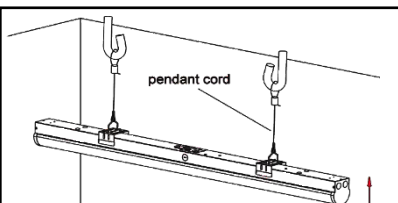
WARNING:

- RISK OF FIRE OR ELECTRIC SHOCK. FIXTURE INSTALLATION REQUIRES KNOWLEDGE OF LUMINAIRES ELECTRICAL SYSTEMS. IF NOT QUALIFIED, DO NOT ATTEMPT INSTALLATION. CONTACT A QUALIFIED ELECTRICIAN
- SUITABLE FOR DAMP LOCATIONS. ALWAYS TURN OFF THE POWER SUPPLY BEFORE INSTALLATION
- SUITABLE FOR NON-INSULATED SURFACE AND FRAME. DO NOT COVER FIXTURE WITH INSULATION LINER OR SIMILAR MATERIAL
- DO NOT INSTALL FIXTURE ON UNSTABLE, LOOSE OR EASILY BREAKABLE SURFACE. DO NOT EXERT FORCE ON THE SURFACE OF THE FIXTURE

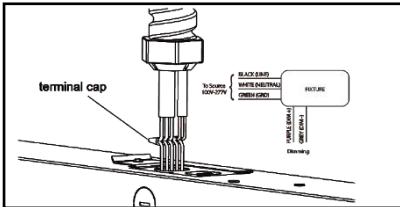
CHAIN INSTALLATION (Option One)

		
Step 1. Insert a chain on each hook and insert hooks into the installation holes	Step 2. Attach the chains to the ceiling and adjust till balanced and secured	Step 3. Take wires from the shielded cables, connect AC wires and Dimming wires (if needed)
		
Step 4. Wrap the wires with metal materials	Step 5. Optional seamless infinite splicing	

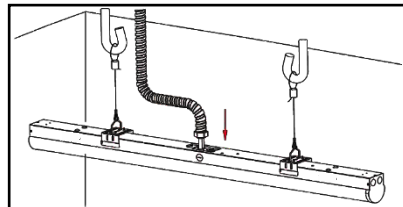
CHAIN INSTALLATION (Option Two)

		
Step 1. Snap buckles into the lamp body	Step 2. Attach the hooks at the slotted holes of buckles	Step 3. Hook buckles with pendant cord and suspend the light to the desired height

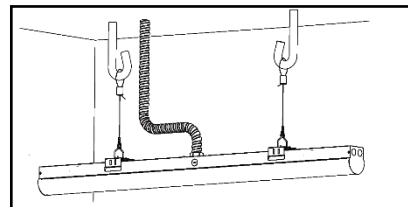
INSTALLATION INSTRUCTIONS



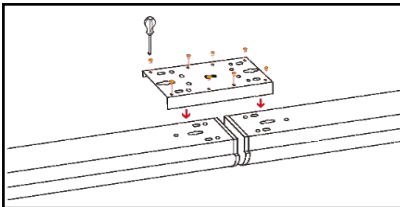
Step 4. Take wires from the terminal caps, connect AC wires and Dimming wires (if needed)



Step 5. Insert the terminal blocks and wires into the strip

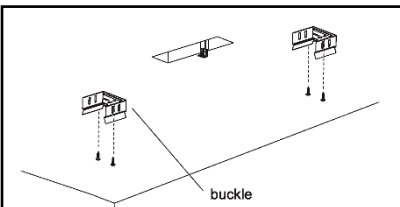


Step 6. Insert the wire terminal joints to the wire entry

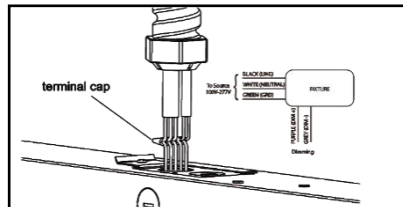


Step 5. Optional seamless infinite splicing

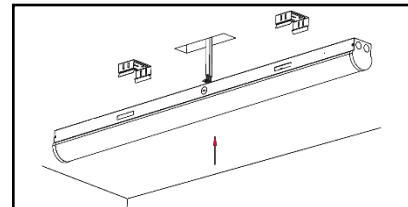
SURFACE MOUNTED INSTALLATION



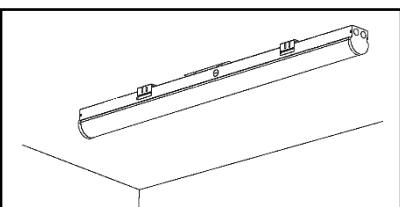
Step 1. Fix the buckles in parallel by screws with 18.9" distance between each buckle



Step 2. Take wires from the terminal caps, connect AC wires and Dimming wires (if needed)



Step 3. Secure the strip with buckles



Step 4. Installation is completed

WIRE DIAGRAM

ELECTRICAL SCHEMATIC DIAGRAM

