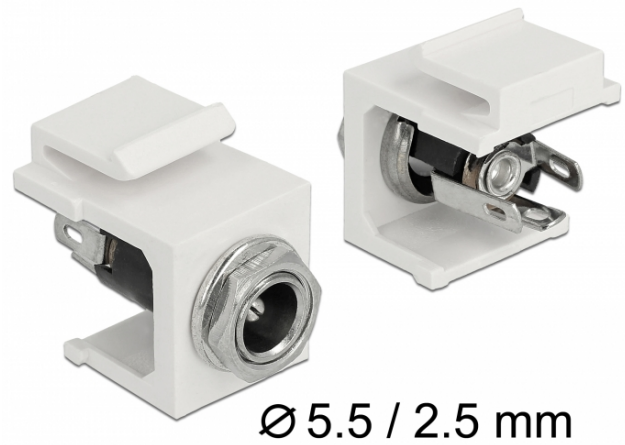


# Delock Keystone module DC 5.5 x 2.5 mm socket

## Description

This DC installation socket by Delock can be installed in e.g. a housing or device and connect a cable to supply it with power. With its standardised dimensions it can be used for easy snap-in mounting in e. g. a Keystone patchpanel, face plate or surface-mount box.



## Specification

- Connector:
  - external: 1 x DC 5.5 x 2.5 mm female
  - internal: 3 x solder connector for cable (1 x voltage, 2 x ground)
- Rating: 30 V / 3 A
- For Keystone ports with 19.2 x 14.9 mm
- Dimensions (LxWxH): ca. 22.0 x 20.7 x 16.3 mm
- Length in front of the panel: 3.5 mm

## Package content

- DC installation port

## Item no. 86373

EAN: 4043619863730

Country of origin: Taiwan, Republic of China

Package: Poly bag



## Images



General	
Mounting type:	Keystone module
Interface	
External:	1 x DC jack 5.5 mm x 2.5 mm
Internal:	3 x solder connector for cable
Physical characteristics	
Housing colour:	white
Length:	22.0 mm
Width:	20.7 mm
Height:	16.3 mm