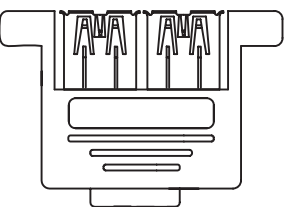
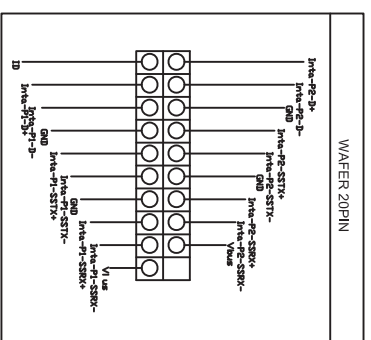


EAN: 4043619829767



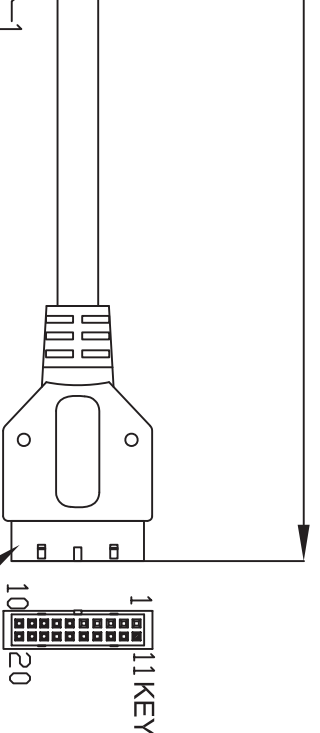
ELECTRICAL PROPERTIES:

1. 100% OPEN SHORT MIS-WIRE TEST
2. Contact Resistance:100ohm
3. Insulation Resistance:5Mega ohm
4. Hipot test:300V/10ms.



USB3.0 AF(1) HE20P		USB3.0 AF(2) HE20P	
1	RED(PWR)	1	RED(PWR)
2	WHITE(UTP_D-)	2	WHITE(UTP_D-)
3	GREEN(UTP_D+)	3	GREEN(UTP_D+)
4	BLACK(GND_PWR-t)	4	BLACK(GND_PWR-t)
5	YELLOW(SDP1-)	5	YELLOW(SDP1-)
6	BLUE(SDP1+)	6	BLUE(SDP1+)
7	DRAIN(SDP1_Drain)	7	DRAIN(SDP1_Drain)
8	DRANGE(SDP2-)	8	DRANGE(SDP2-)
9	PURPLE(SDP2+)	9	PURPLE(SDP2+)
10	Br-oid	10	Br-oid

500±30



No.	Part Name	Quantity
4	SSP PVC MOLDING COLOR:BLUE	9
3	USB3.0 A TYPE FEMALE SHELL PLATED NICKEL CONTACT:15U'	2PCS
2	HOUSING PH2.0MM 2*10P BLUE	1PCS
1	UL20276 (1P*30#+D+AL+ML)*4C+(1P*28#+AL+ML)*2C +4C*26#+AL+B BLUE IN COLOR DD:7.0	1PCS

Date	2011 / 08 / 15
Unit	mm
Projection	A
Rev	A

DELCK
we move the world

Title: Slot bracket USB 3.0 2x externally
1x pin header internally low profile

Item no. **82976**

Barcode 4043619829767

File No. 87715