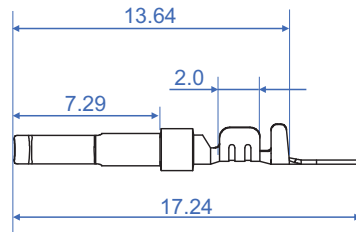
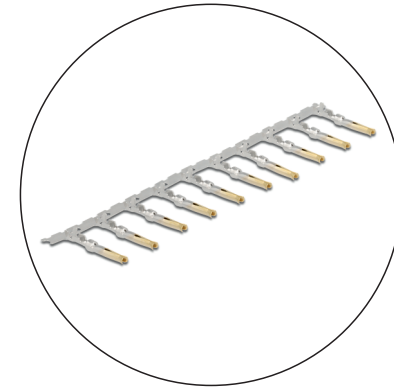
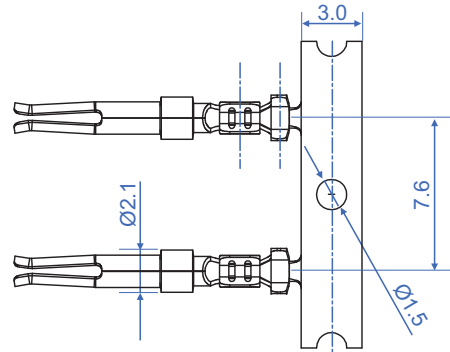


# Product Specification

[ FEMALE terminal ]



2:1

**DEL LOCK**  
we move the world

Title: Crimp contacts for  
D-Sub crimp female

|            |                |
|------------|----------------|
| Date       | 2021 / 05 / 04 |
| Unit       | mm             |
| Projection | sketch         |
| Rev        | A              |

Item no. **66727**

File No.