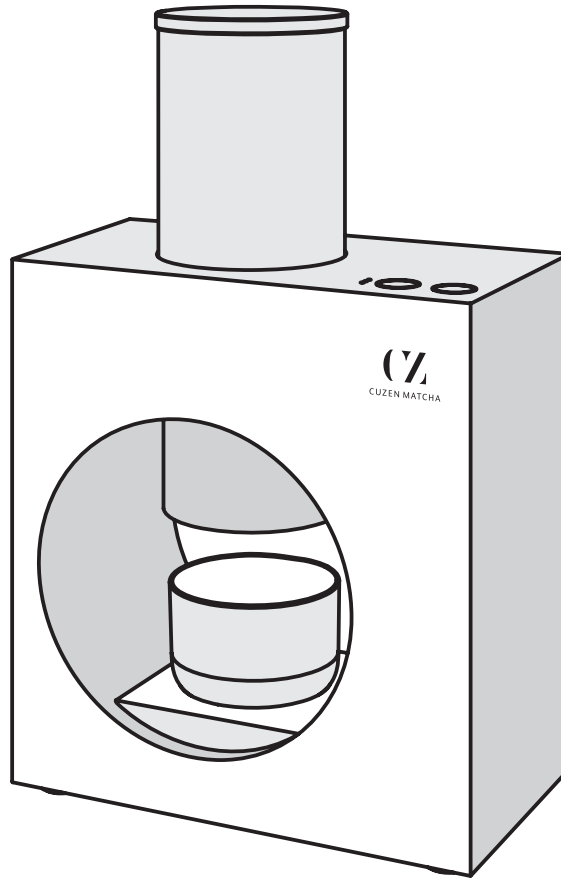


Matcha Maker Operating Manual



CONTENTS

Important Safeguards	2	Care and Cleaning	18
What You Need to Know	3	Troubleshooting	24
Parts and Handling	4	Specification	26
Features	10	For Customer Assistance	26
Before Use	11	Limited Warranty	27
Making Matcha	12		
Grinding Matcha Leaf Into Powder.....	15		

IMPORTANT SAFEGUARDS

When using electrical appliances, basic safety precautions should always be followed to reduce the risk of fire, electric shock, and/or injury to persons, including the following:

1. Read all instructions.
2. To protect against fire, electric shock and injury to persons do not immerse cord, plugs, or appliance in water or other liquid.
3. This appliance is not intended for use by children or by persons with reduced physical, sensory, or mental capabilities, or lack of experience and knowledge unless they are closely supervised and instructed concerning the use of the appliance by a person responsible for their safety. Close supervision is necessary when any appliance is used near children. Children should be supervised to ensure that they do not play with the appliance.
4. Unplug from the outlet when not in use, before assembling or disassembling parts and before cleaning. To unplug, grasp the plug and pull from the outlet. Never pull from the power cord.
5. Avoid contacting moving parts.
6. Do not operate any appliance with a damaged cord or plug or after the appliance malfunctions, or is dropped or damaged in any manner. Contact the manufacturer at their customer service telephone number for information on examination, repair, or adjustment.
7. The use of accessory attachments not recommended by the appliance manufacturer may result in fire, electric shock or injury to persons.
8. Do not use outdoors.
9. Do not let cord hang over edge of table or counter, or touch hot surfaces.
10. Do not place on or near a hot gas or electric burner, or in a heated oven.
11. To disconnect, press "START/PAUSE" to stop, and then remove plug from wall outlet.
12. Do not use this appliance for other than intended use.
13. Be certain lid is securely in place before operating appliance.
14. The whisking cup is designed for use with this appliance.
15. Do not use a cracked whisking cup.
16. Do not use abrasive cleaning products, such as steel wool or kitchen cleanser, to wash any removable part of the appliance.
17. Check the ceramic mill for presence of foreign objects before using.

SAVE THESE INSTRUCTIONS
For Household Use Only

WHAT YOU NEED TO KNOW

Please make reading this Operating Manual your first step prior to using your Matcha Maker. This important booklet explains exactly how the appliance works and what you need to know to operate it successfully.

Electrical Requirements

The electrical power input requirement should be a protected 15amp 120Vac 60Hz electrical outlet.

It is recommended that a separate circuit serving only this appliance be provided.

This adapter has a polarized plug (with one blade wider than the other). To reduce the risk of electric shock, this plug is inserted to fit into a polarized outlet one way only. If the plug does not fit fully in the outlet, reverse it. If it still does not fit, contact a qualified electrician. Do not attempt to modify the plug in any way.

Extension Cord

A short power-supply cord is provided to reduce the risks resulting from becoming entangled in or tripping over a longer cord.

Longer extension cords may be used if care is exercised. If a long extension cord is used, its designated electrical rating must be at least equal to the electrical rating of the appliance. The extension cord should also be positioned so that it does not hang over a countertop or tabletop where it can be pulled on by children or tripped over.

Additional Important Safeguards

1. Do not touch the plug with wet hands when inserting or removing from the outlet. Plug securely into the electric wall socket and remove by gripping the plug. Never pull on just the cord when unplugging from the wall.
2. Put fresh cold water in the whisking cup. Do not put hot water or any other liquids like milk.
3. The appliance should not be left unattended during operation.
4. Do not place anything on the top of appliance during operation.
5. Always place the appliance on a flat, stable surface. Do not tilt or knock down the appliance.
6. Remove the whisking cup before moving.
7. Do not operate the appliance if the whisking cup is cracked and/or leaking water.
8. Do not try to adjust or repair the appliance yourself.
9. Do not place or use the appliance under direct sunlight.

10. Do not place or use the appliance anywhere water may splash onto it.
11. The ceramic mill will become hot during use. Do not touch it during or immediately after operation.
12. When picking up the appliance, place your hands underneath the bottom of the unit. Do not lift it by the tea leaf hopper or lid.

Changes or modifications to the appliance not expressly approved by the party responsible for compliance could void the user's authority to operate the appliance.

NOTE: This appliance has been tested and found to comply with the limits for a Class B digital device, pursuant to part 15 of the FCC Rules.

These limits are designed to provide reasonable protection against harmful interference in a residential installation.

This appliance generates, uses and can radiate radio frequency energy and, if not installed and used in accordance with the instructions, may cause harmful interference to radio communications.

However, there is no guarantee that interference will not occur in a particular installation.

If this appliance does cause harmful interference to radio or television reception, which can be determined by turning the appliance off and on, the user is encouraged to try to correct the interference by one or more of the following measures:

Reorient or relocate the receiving antenna.

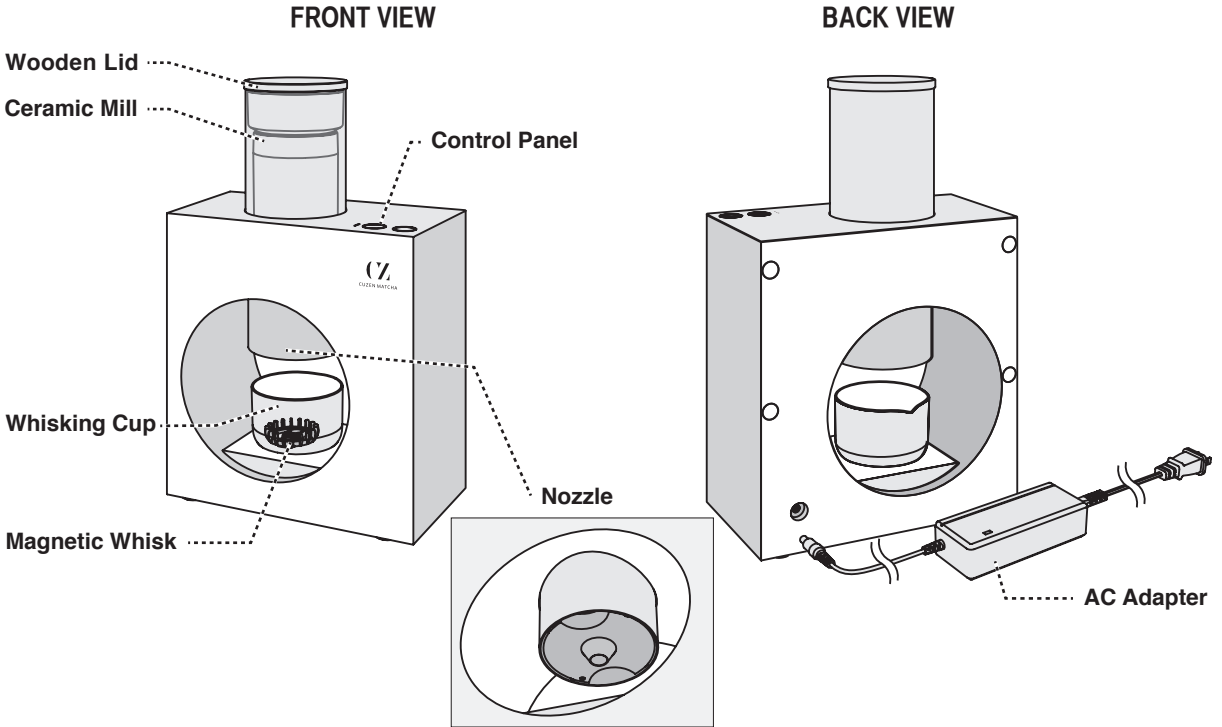
Increase the separation between the appliance and receiver.

Connect the appliance into an outlet on a circuit different from that to which the receiver is connected.

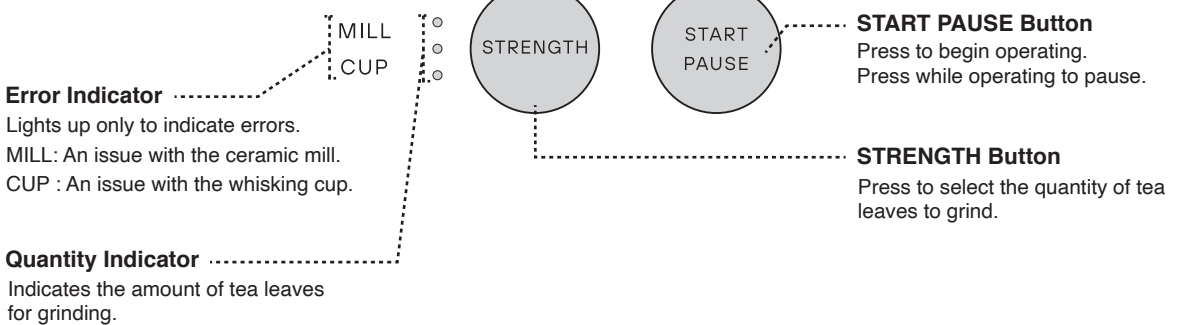
Consult the dealer or an experienced radio/TV technician for help.

PARTS AND HANDLING

Main Unit

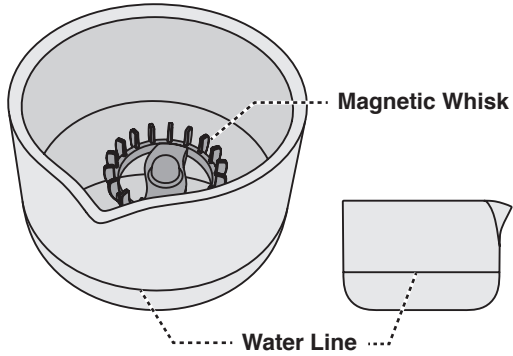


Control Panel



PARTS AND HANDLING

Removing and Reinserting the Whisking Cup



CAUTION:

Do not fill the cup over the water line.

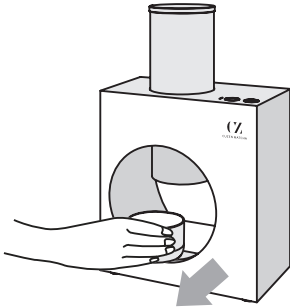
Do not put any ice in the whisking cup.

Do not pour water into the whisking cup while it's resting on the platform.

Do not use hot water or any other liquids, like milk.

Removal

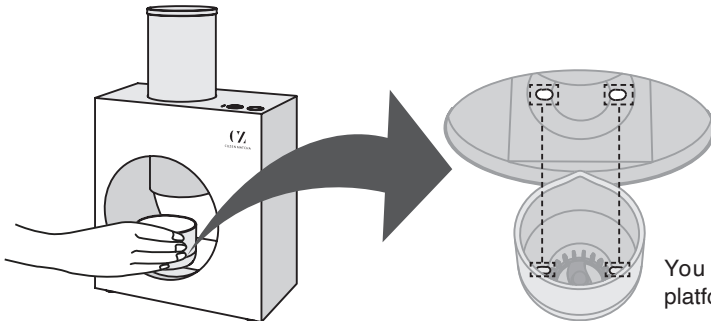
Carefully pull the cup towards you.



Reinsertion

Make sure the whisking cup's spout is facing away from you.

Slide the cup forward until the two notches on the platform fit snugly into the two notches on the bottom of the whisking cup.



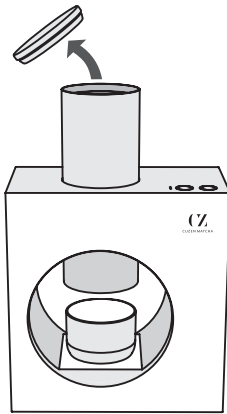
You will feel a slight magnetic pull between the platform and the magnetic whisk inside the cup.

PARTS AND HANDLING

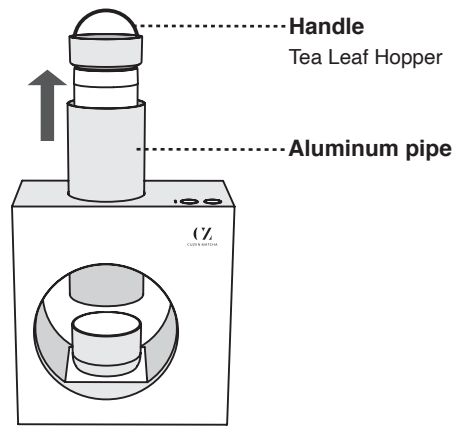
Removing and Reinserting the Ceramic Mill

Removal

- 1 Open the wooden lid.

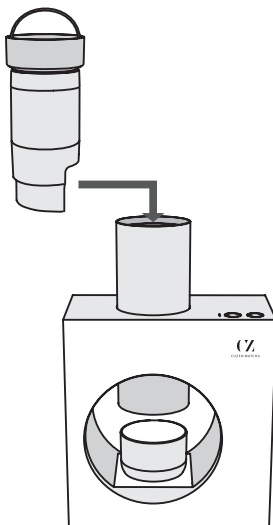


- 2 Pull the ceramic mill up using its handle.

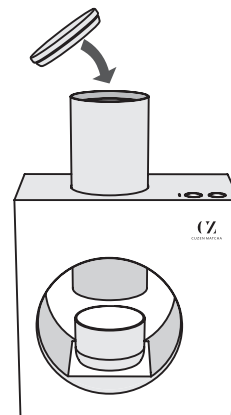


Reinsertion

- 1 Insert the ceramic mill.
Make sure the notched side is facing to the right.



- 2 Close the wooden lid.



CAUTION:
Make sure the ceramic mill is facing the correct direction, or the lid won't close.

PARTS AND HANDLING

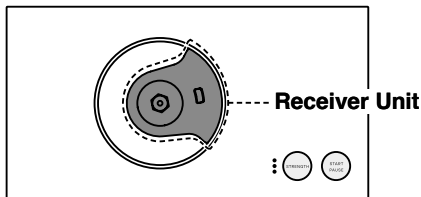
Reinstallation

Caution:

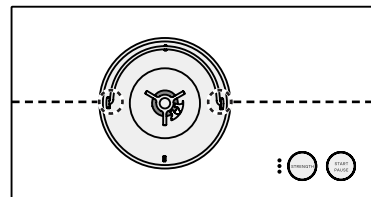
- 1 With the appliance's front side facing you, the ceramic mill's notched side needs to be on the right as you reinsert the unit into the pipe.



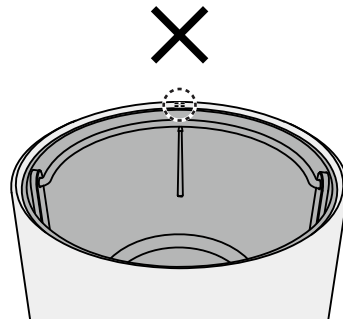
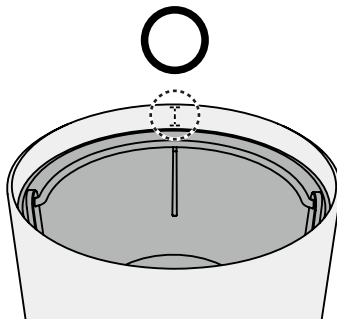
- 2 Place it securely into the receiver unit.



- 3 The bases of the handles should align with the sides of the appliance.



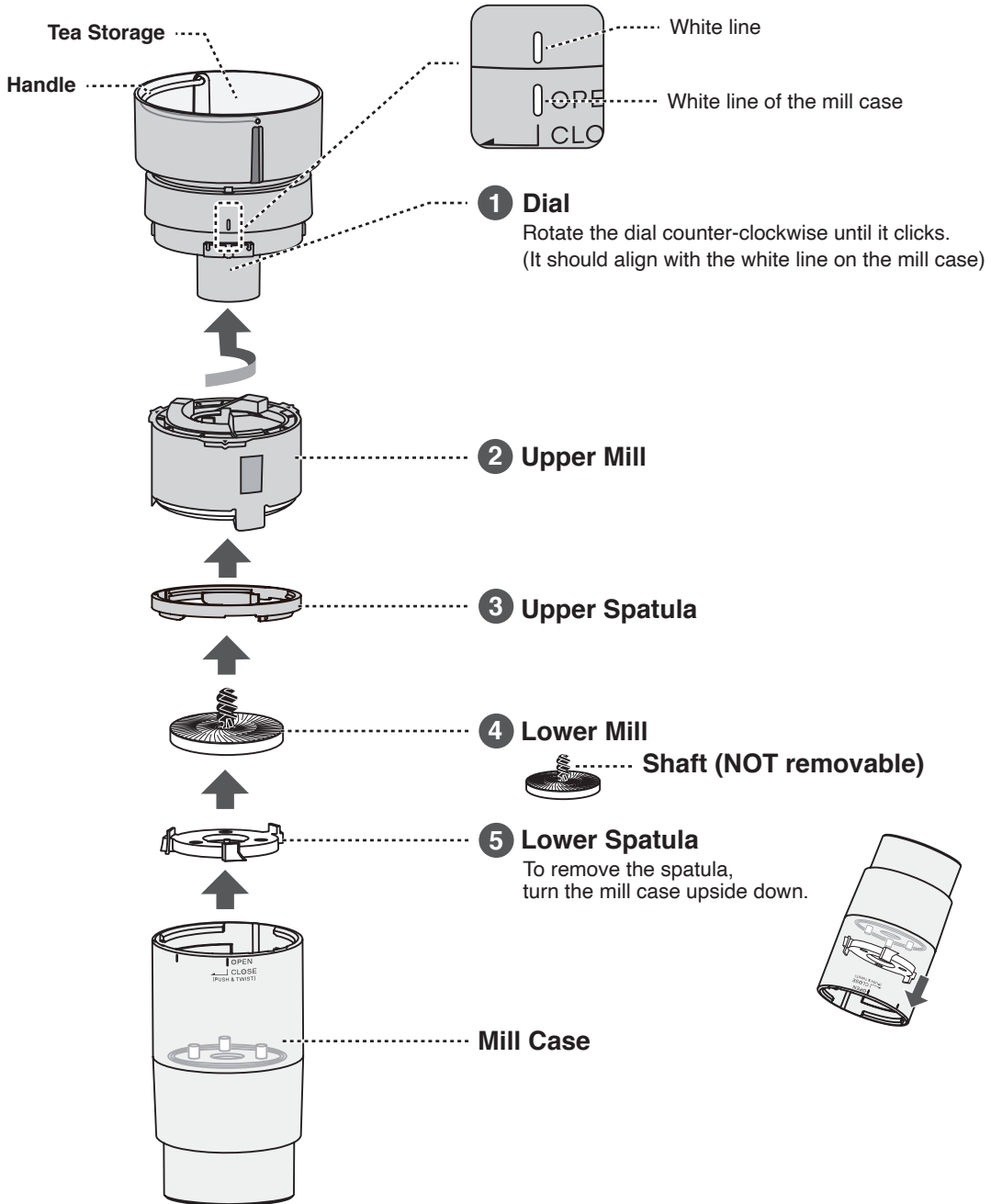
- 4 Insert the ceramic mill all the way to the bottom of the aluminum pipe, to make room for the lid at the top.



PARTS AND HANDLING

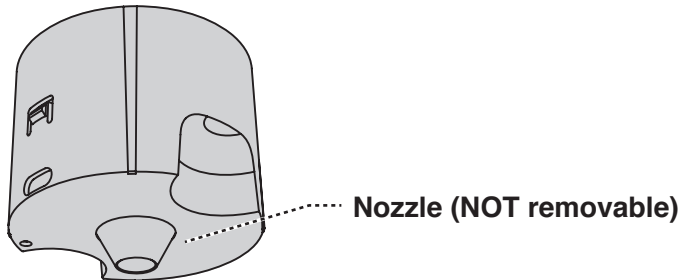
Disassembly

When disassembling the ceramic mill, remove each part in the following numerical order.
(For assembly, see page 21)



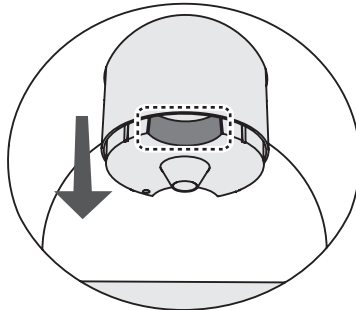
PARTS AND HANDLING

Removing and reinstalling the nozzle unit



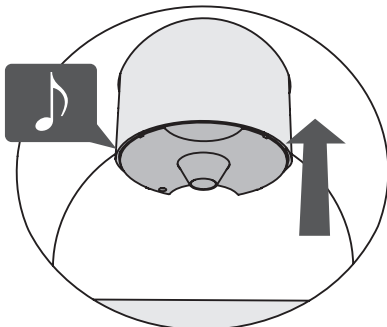
Removal

- 1 To remove the nozzle unit, place your fingers in the indented notches and pull the unit down forcefully.



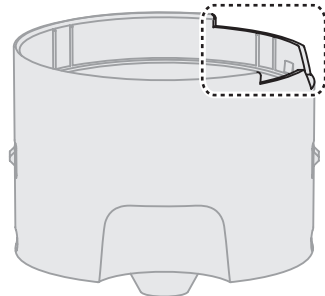
Reinstallation

- 1 Rotate the dial counter-clockwise until it clicks.



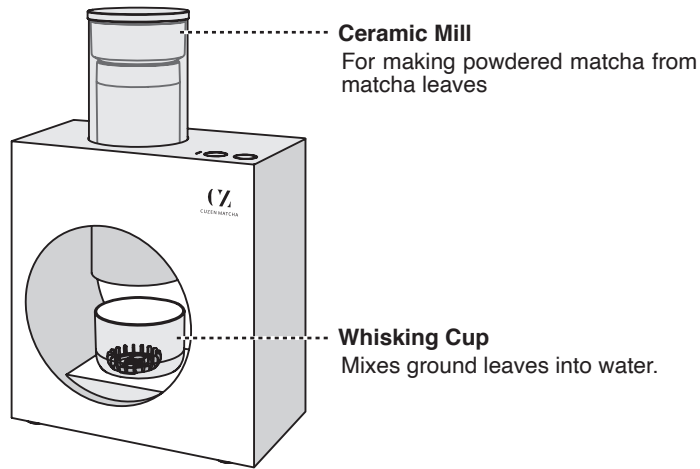
Caution:

- 2 The notched side should face the right when inserted back into the appliance.

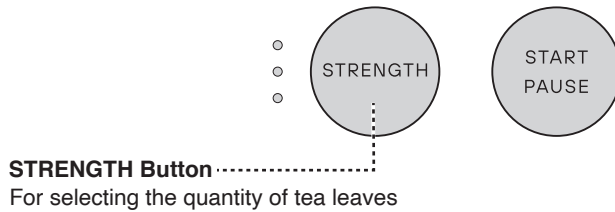


FEATURES

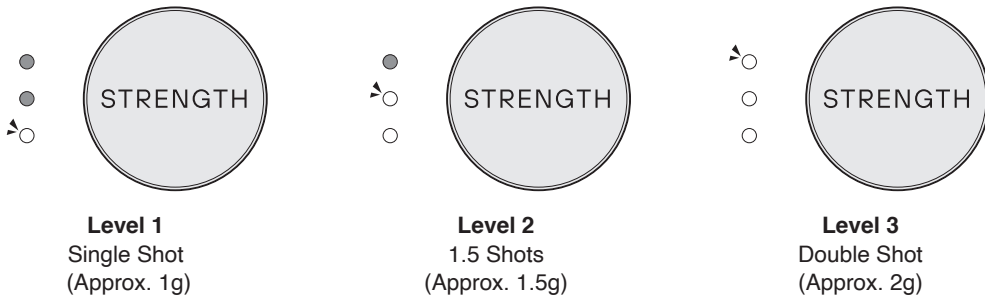
Main Unit



Control Panel



Strength



BEFORE USE

Before First Use

1. Carefully unpack your Matcha Maker, and remove all packaging materials.
2. Place the Matcha Maker on a flat and sturdy surface.
3. Clean the whisking cup and place onto the main unit.

Points to Remember

Tea Leaves

- Make sure to use the Cuzen Matcha Leaf only. Any other items may cause mechanical failure.
- Do not attempt to grind wet tea leaves.

Caution:

Other types of tea leaves contain more moisture, which can cause mechanical failure within the ceramic mill.

Whisking Cup

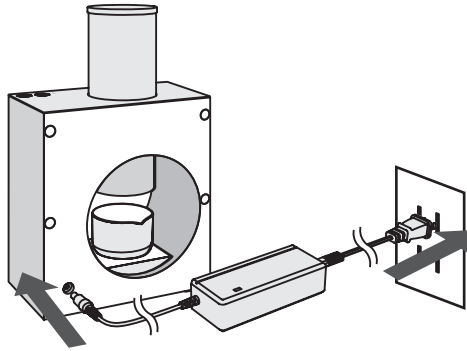
- Do not use hot water, or heat water in a microwave oven. Heat will cause it to warp or melt. Also, vapor may cause the moisture problem in the ceramic mill.
- The magnetic whisk has a magnet at its base. Do not place the cup near items that are sensitive to magnets.

Ceramic Mill

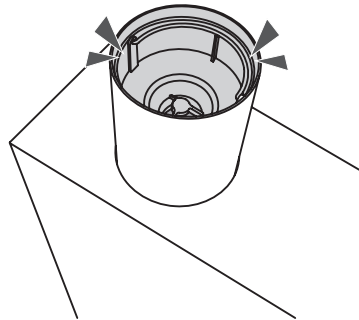
- The upper and lower mills are made of ceramic. The ceramic mill will break from extreme shocks. Handle with care.
- After cleaning, always dry thoroughly.
- The ceramic mill becomes hot during and immediately after the operation.

MAKING MATCHA

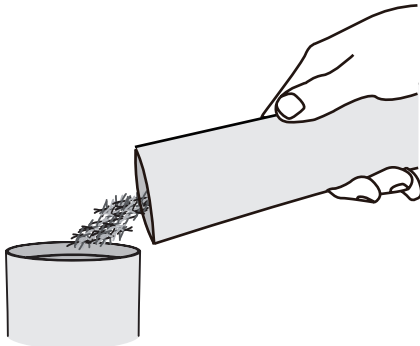
- 1** Plug one end of the cord into the wall **BEFORE** plugging the DC plug into the back of the Matcha Maker.
(If it is plugged in correctly, you will hear a beep and the three LED lights on the machine will light up)



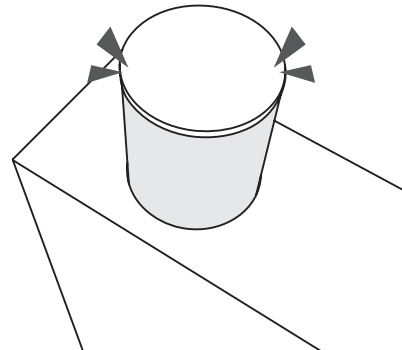
- 2** Open the lid and check to see if the ceramic mill is aligned with the main unit correctly and there are enough tea leaves in the tea leaf hopper.



- 3** If there aren't enough leaves in the tea leaf hopper, please add more.

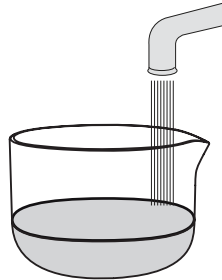


- 4** Close the wooden lid.

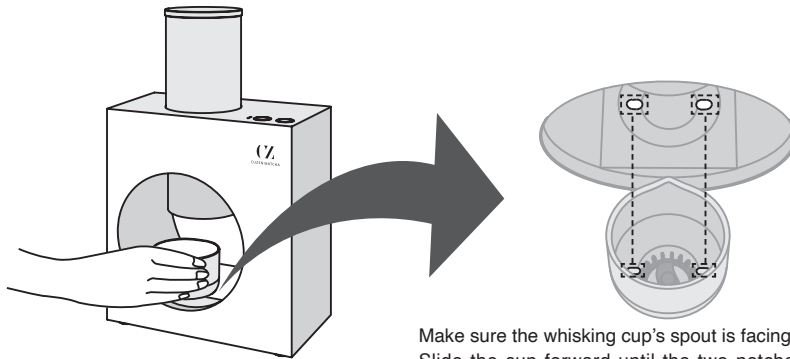


MAKING MATCHA

5 Fill the whisking cup with cold to room temperature water up to the water line.

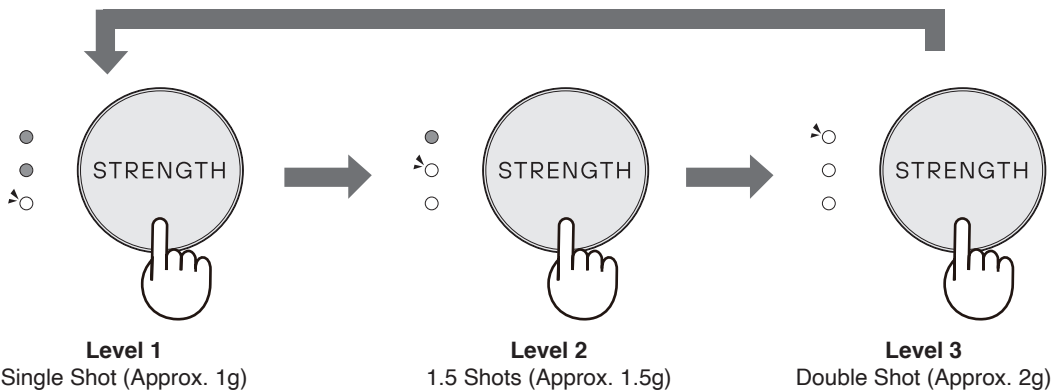


6 Place the cup on the platform



Make sure the whisking cup's spout is facing away from you. Slide the cup forward until the two notches on the platform fit snugly into the two notches on the bottom of the whisking cup.

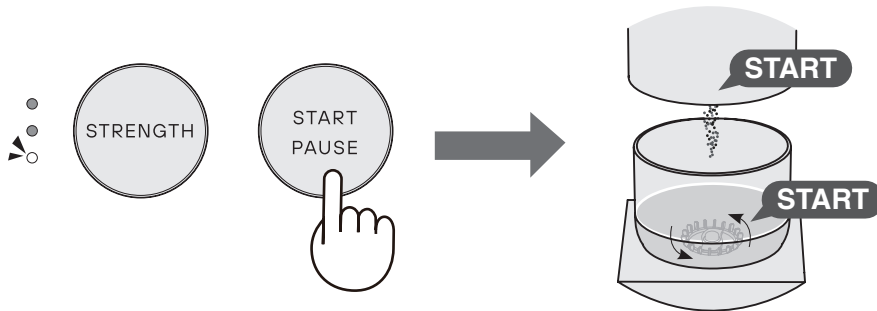
7 Choose your desired strength



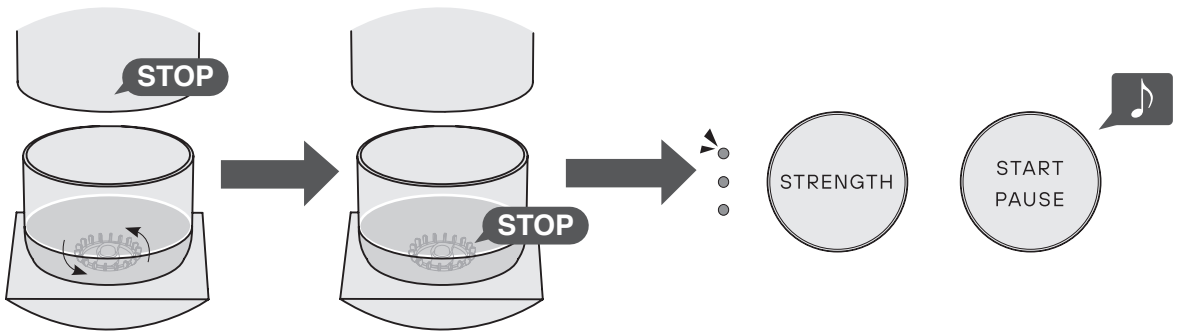
Each time the STRENGTH Button is pressed, the number of lighted LED indicators increases up to 3, before resetting back to 1.

MAKING MATCHA

- 8** Press the **START** button and the ceramic mill will start grinding the tea leaves while the magnetic whisk starts rotating to stir the matcha tea in the cup. Grinding will continue for the duration of time corresponding to the **STRENGTH** level you selected.



- 9** The cup's magnetic whisk will continue to operate for around a half-minute after the grinding completes, upon the completion of stirring, the machine will beep, and the white LED light will turn off.

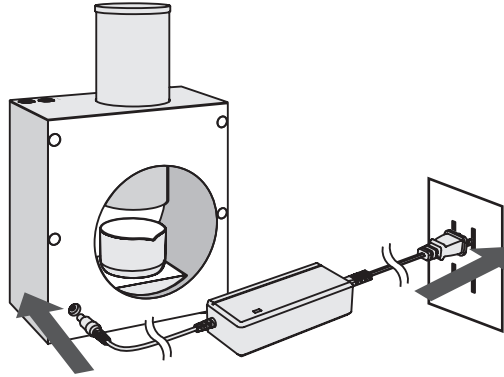


NOTE:

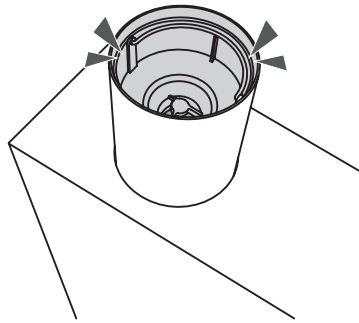
- The quantity of powdered matcha produced may vary depending on the impact of certain variables, such as humidity and temperature, on a batch of leaves from a particular harvest season.
- The vibration noise that you may hear while the appliance is operating does not indicate any mechanical problems.
- The Matcha Maker may produce less powdered matcha but extra noise when using the appliance for the first time or after cleaning the machine.
- Prolonged or continuous operation of the machine can cause the components to overheat.
- If the MILL error continues to flash even when the mill is not clogged allow the Matcha Maker to cool down for 30 minutes.
- While the machine is operating, you may pause the machine using the **START/PAUSE** button. In order to cancel completely, hold down the **START/PAUSE** button.

GRINDING MATCHA LEAF INTO POWDER

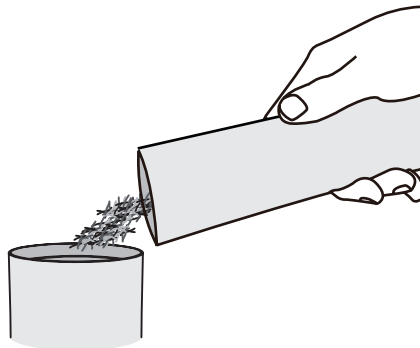
- 1** Plug one end of the cord into the wall BEFORE plugging the DC plug into the back of the Matcha Maker.
(If it is plugged in correctly, you will hear a beep and the three LED lights on the machine will light up)



- 2** Open the wooden lid and check to see if the ceramic mill is aligned with the main unit correctly and there are enough tea leaves in the tea leaf hopper.

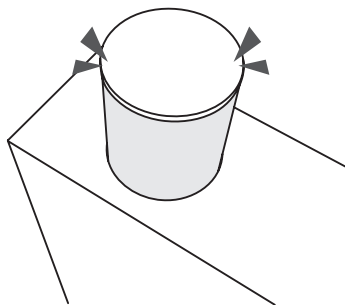


- 3** If there aren't enough leaves in the tea leaf hopper, please add more.

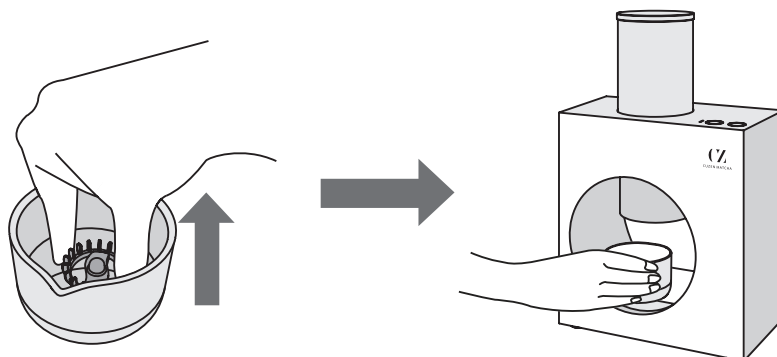


GRINDING MATCHA LEAF INTO POWDER

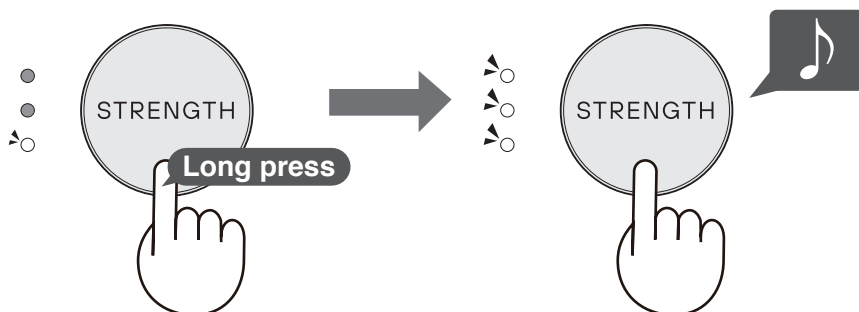
- 4 Close the wooden lid.



- 5 Place the completely dried whisking cup onto the platform. You may also use the whisking cup without the magnetic whisk. See P.19 for instructions on how to remove the magnetic whisk.

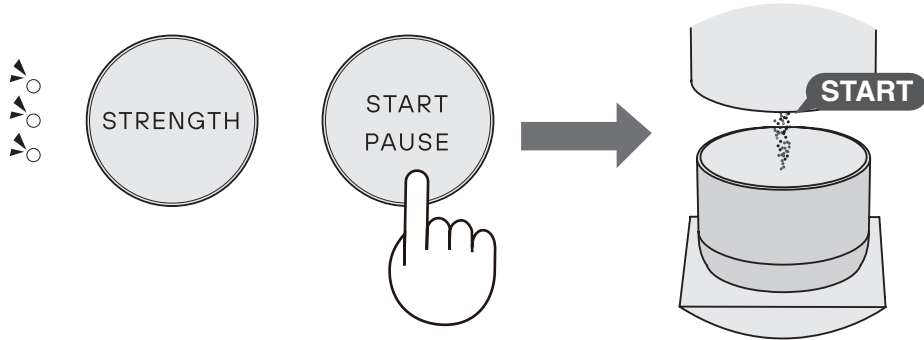


- 6 Select the Grind-only mode. Press the STRENGTH button once and one LED indicator will light up. Then hold down the STRENGTH button until the machine beeps and all the three LED indicators begin flashing.

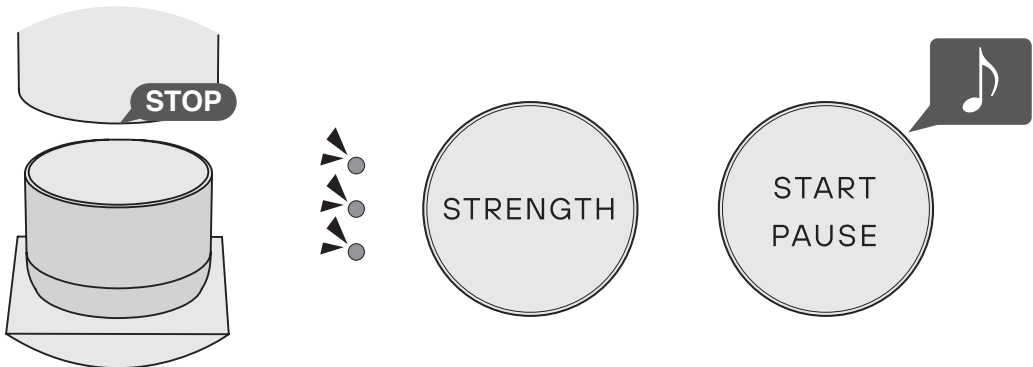


GRINDING MATCHA LEAF INTO POWDER

- 7** Press the **START** button to begin the machine operation in the Grind-only mode. It will produce approximately 1.5g of powdered matcha.



- 8** The machine will beep and the white LED will turn off once the tea leaves are finished being ground.



NOTE:

- After selecting “Grind-only mode”, hold down the **START/PAUSE** button (before the machine starts running) in order to go back to the “Making Matcha mode”
- While running “Grind-only mode”, you can press the **START/PAUSE** to pause the machine. Hold down the **START/PAUSE** button to cancel and finish grinding.

CARE AND CLEANING

Before cleaning, turn the Matcha Maker off. Unplug and allow it to cool completely. An authorized service representative should perform any other servicing, except for specific cases detailed in this operating manual.

CAUTION : Do not use commercial cleansers, abrasive, harsh cleansers, solutions that contain sodium hydroxide, or scouring pads on any part of the Matcha Maker. Dishwashers cannot be used to clean the Matcha Maker.

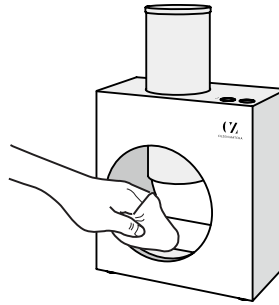
Main Unit

After Use

Using a soft cloth moistened only with water, gently wipe the Matcha Maker clean.

Avoid using excessive amounts of water.

Do not use any sort of chemical or abrasive cleaner.



Control Panel, Receiver Unit, DC jack

After Use

Take extreme care when cleaning the control panel, receiver unit and DC jack.

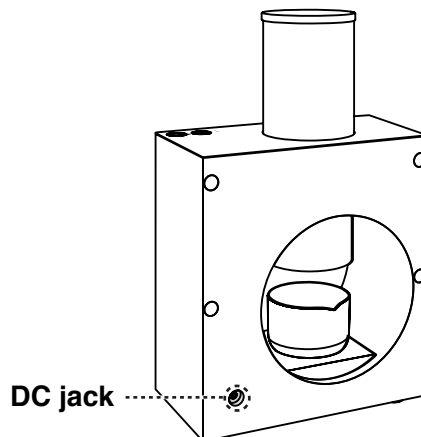
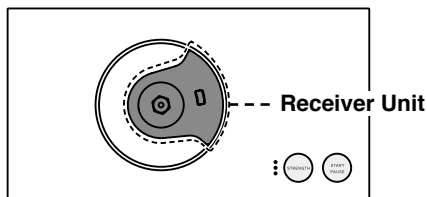
Avoid using excessive amounts of water.

Control Panel



DC jack

Receiver Unit



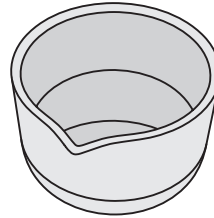
CARE AND CLEANING

Whisking Cup

After Use

Wash with warm or cold water using a soft sponge and let dry.
Remove the magnetic whisk in the container.
To remove tea stains, use oxygen bleach.

Whisking Cup



Magnetic Whisk



NOTE:

Do not clean with kitchen cleansers, steel wool pads, or other abrasive materials.
Do not wash the whisking cup and the magnetic whisk in a dishwasher.

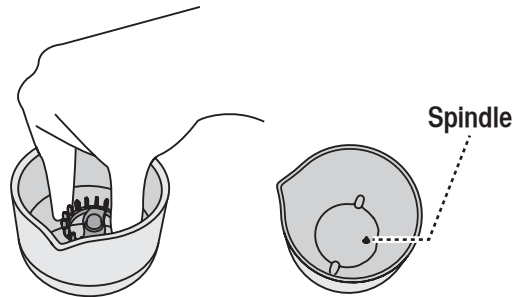
Magnetic Whisk

Removal

Carefully pull out the magnetic whisk.
(It may be firmly attached to the container)

Installation

Carefully push the magnetic whisk onto the spindle located at the bottom of the whisking cup.



NOTE:

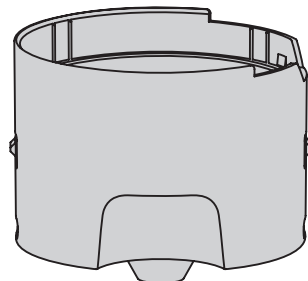
To prevent misplacement or accidental swallowing, do not forget to reinstall the magnetic whisk after cleaning.

Nozzle

After Use

Wash with warm or cold water using a soft sponge and then let dry.

Nozzle



NOTE:

Dry the nozzle unit thoroughly after cleaning. Failure to comply can result in powdered matcha clogging the nozzle.
Do not clean the Matcha Maker with kitchen cleansers, steel wood pads, or other abrasive materials.

CARE AND CLEANING

Ceramic Mill

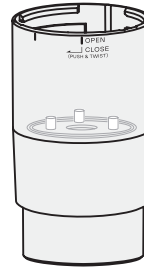
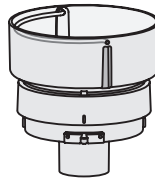
After Use

Disassemble the ceramic mill. (See page 8) Remove the remaining powdered matcha. After cleaning, re-assemble the parts. (See page 21)

Upper Mill



Lower Mill



NOTE:

Never apply force when separating the upper mill from the lower mill.
Remove any remaining tea leaves before maintenance.

Monthly Maintenance

Disassemble the ceramic mill. (See page 8) Remove the remaining powdered matcha. Then wash in a mild soap or detergent solution with a soft sponge. If necessary, clean the surface of the mill with any gentle brush. Rinse and dry thoroughly.

● In the following cases, perform the various maintenance tasks within a month:

- The upper mill and the lower mill seem to be clogged, and powdered matcha is not coming out smoothly.
- MILL error indicator is flashing and the appliance stops grinding. (The upper mill and the lower mill may be stuck together)
- An unusual sound is being produced during grinding.
- The ceramic mill is extremely dirty.
- You will not use the appliance for a long period of time.

When the upper mill and lower mill are stuck together

Removing them by force may cause damage to the appliance. Instead, immerse them in warm water for 2 to 3 minutes and wait until they can be taken apart easily.



After they are separated, remove the powdered matcha then wash. If necessary, clean the surface of the mill with any gentle brush. Rinse and dry thoroughly. After drying, re-assemble the parts. (See page 21)

IMPORTANT:

Air dry the ceramic mill (8 hours or more) after removing moisture with a dry cloth.

If any moisture remains, the powdered matcha may become clogged on upper and lower ceramic mills. This will reduce the amount of powdered matcha produced.

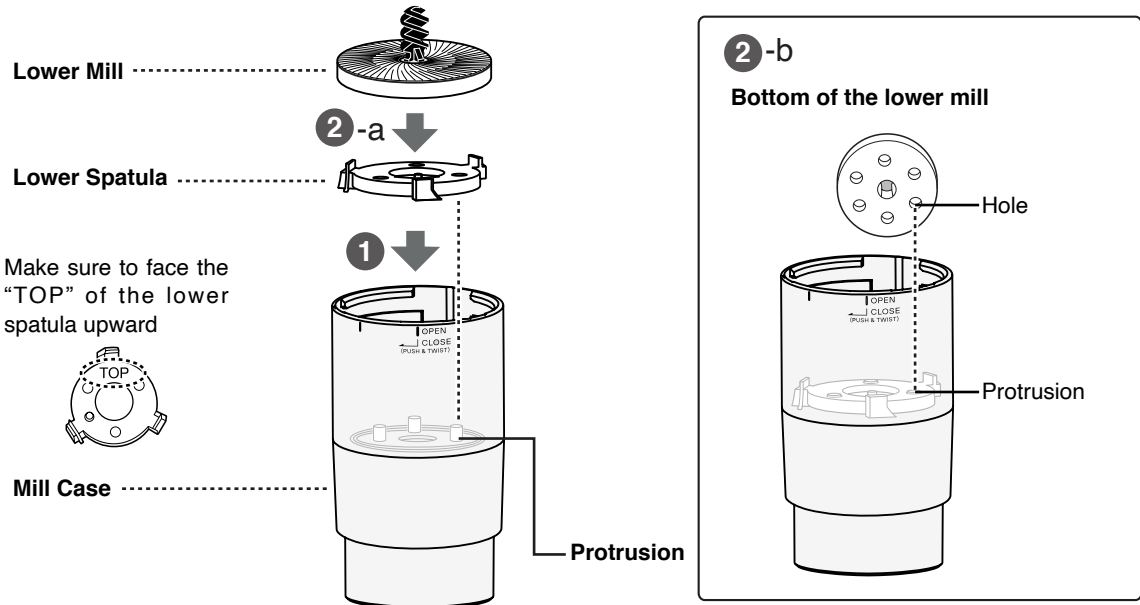
Special note for cleaning the ceramic mill:

When drying, do not use electric dish dryers or microwave ovens, etc. Such devices may cause damage to components.

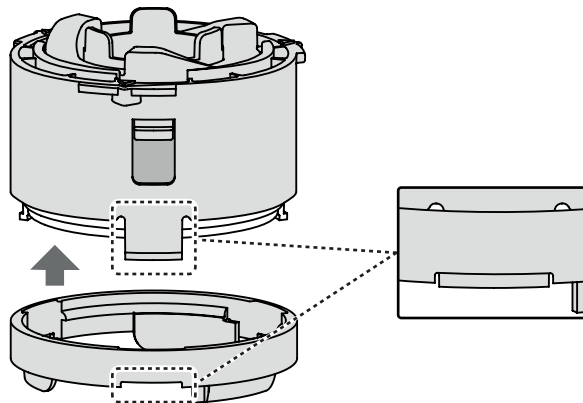
CARE AND CLEANING

Assembling the Ceramic Mill

- 1 Position the “TOP” side of the lower spatula face-up and insert it into the mill case. Make sure to align the holes of the spatula with the protrusions of the mill case.
- 2 Insert the lower mill into the mill case. (2-a) Align the holes on the bottom of the lower mill with the protrusions, rotating the lower mill slowly until it fits securely. (2-b)



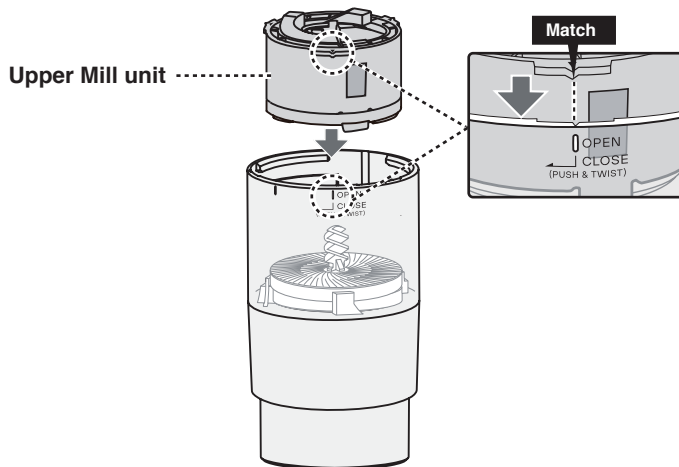
- 3 Put the upper mill and upper spatula together.



The upper mill's hinges will snap into the three indentation inside the upper spatula.

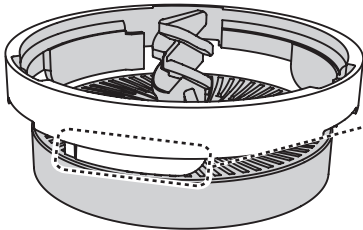
CARE AND CLEANING

- 4 Place the upper mill unit onto the lower mill.
Align "▼" of the upper mill unit with the white line "I" of the mill case.



NOTE:

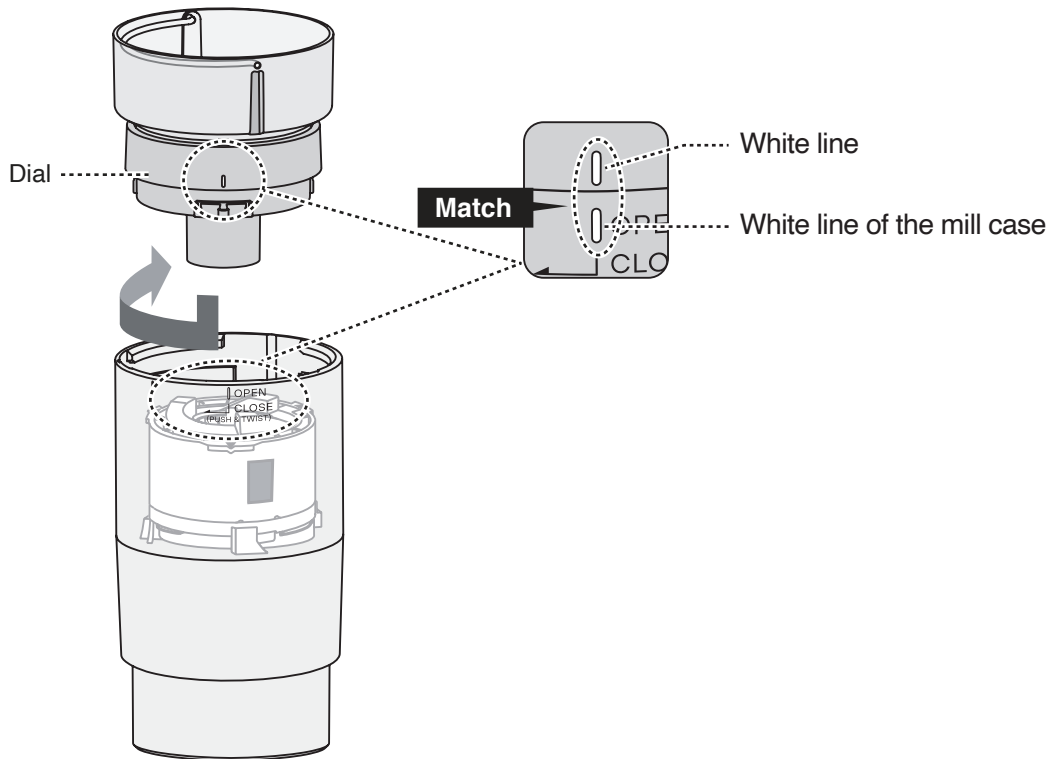
Align any of the three inverse triangles (▼) on the upper mill unit with the white vertical line on the mill case.



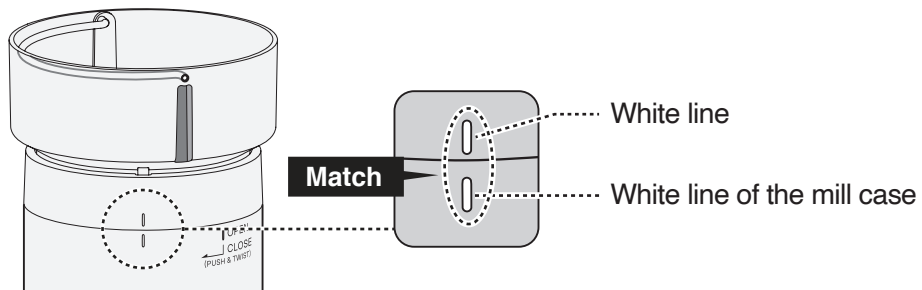
Use care when inserting the upper spatula of the upper mill unit into the mill case to keep the elongated parts of the spatula from turning up or becoming sandwiched between the upper and lower mills.

CARE AND CLEANING

- 5** Insert the dial into the mill case so that the white line on the dial aligns with the white line on the mill case.



- 6** Then press the dial into the mill case and turn the dial clockwise.



NOTE:

If you cannot insert the dial, then steps 1 through 4 have not been carried out properly. Reassemble the ceramic mill from step 1 while paying close attention to the following:



- Lower Mill: Make sure to align the holes on the bottom with the protrusions of the mill case.
- Upper Mill unit: Make sure it is in the correct position.
- Upper Spatula: Make sure the upper spatula is not upside down and that its elongated parts are not turned up or pinched between the upper and lower mills.

TROUBLESHOOTING

The following situations are normal and are not signs that the Matcha Maker is malfunctioning.

PROBLEM	ANSWER
The ceramic mill is making a squeaking sound.	<ul style="list-style-type: none"> • When running the Matcha Maker for the first time or directly after cleaning the ceramic mill, hearing a squeaking sound is common.
The ceramic mill suddenly stops during grinding. An unusual sound is coming out of the ceramic mill.	<ul style="list-style-type: none"> • Check that you are using ONLY the Cuzen Matcha tea leaves. • Disassemble the ceramic mill. See page 8. Remove the remaining powdered matcha. • After cleaning, re-assemble the parts. See page 21. • See page 20 for maintenance details regarding the ceramic mill.
Powdered matcha is not coming out of the nozzle.	<ul style="list-style-type: none"> • When using a new ceramic mill or after the machine is cleaned, it will take about 30 seconds for the powdered matcha to come out of the tea leaf hopper after pressing the START button. • Make sure the assembly of the spatulas, located inside of the ceramic mill, is installed correctly. • Disassemble the ceramic mill. See page 8. Remove the remaining powdered matcha. • After cleaning, re-assemble the parts. See page 21. • See page 20 for maintenance details regarding the ceramic mill.
The quantity of the powdered matcha coming out from the nozzle is less than usual. Or, the matcha is not strong enough.	<ul style="list-style-type: none"> • The quantity of powdered matcha produced may vary depending on the impact of certain variables, such as humidity and temperature, on a batch of leaves from a particular harvest season. • When using a new ceramic mill or after the machine is cleaned, the amount of powdered matcha produced may be less than usual.
The whisking cup is making a rattling noise while the machine is in operation.	<ul style="list-style-type: none"> • This is not an issue, as it does not have anything to do with the efficiency of the machine.

TROUBLESHOOTING

DISPLAY	ANSWER
 <p>When the error indicator says "MILL."</p>	<ul style="list-style-type: none"> • Make sure the ceramic mill is set correctly. • Remove the lid and the ceramic mill, then place it back on the receiver unit properly. • After the ceramic mill is set correctly, press the START button to remove the error message. If the error message still remains, the ceramic mill could be in the incorrect setting, or it could be caused by one of the two reasons below. • If the ceramic mill has overheated, allow it to cool down for 30min. • Otherwise, it is possible that the upper mill unit and lower mill may be stuck together. See page 20 for maintenance instructions.
 <p>When the error indicator says "CUP."</p>	<ul style="list-style-type: none"> • Check to see if there is enough water in the whisking cup. Refer to page 5 and fill water to the water line on the cup. • See if the magnetic whisk is installed inside the whisking cup. If not, refer to page 5 and install the magnetic whisk. • Make sure the whisking cup is placed on the platform correctly. Refer to page 5 for the instructions. • Check the platform to see if the cup placed on it is the whisking cup that came with the appliance. • Check all of the above, then properly place the cup on to the machine. Press the START button in order to clear the error message. Please check the steps above if the error message continues to appear.

If you still require service, disconnect the plug from the outlet and please email us at hi@cuzenmatcha.com

SPECIFICATION

Matcha Maker

Electrical Rating : 24V 1.2A 30W

Outside Dimension(W×H×D) : 8.9 × 13.6 × 4.7 inch / 225 × 345 × 120 mm

Weight : Approx.4.6 lbs / 2.1 kg (Adapter included Approx.5.0 lbs / 2.3 kg)

Adaptor (model : MKS-2402000G8)

INPUT : 100-240V 50/60Hz 2.0A max

OUTPUT : 24V 2000mA 48W

FOR CUSTOMER ASSISTANCE

Email Please email us at hi@cuzenmatcha.com

Phone Please dial 1-800-284-6172

LIMITED WARRANTY

WORLD MATCHA INC. (WMI) warrants to the first consumer purchaser that this Cuzen Matcha Maker (the Product), when shipped in its original package, will be free from defective workmanship and materials, and agrees that it will, at its option, either repair or replace the defective Product or part thereof with a new or equivalent Product at no charge to the purchaser for parts or labor subject to the period set forth below.

This warranty does not apply to any appearance items of the Product nor to any Product the exterior of which has been damaged or defaced. This warranty does not apply to any malfunction or damage caused by consumer misuse, improper voltage, or for any reason beyond WMI's reasonable control.

In order to enforce the rights under this limited warranty, the purchaser should follow the steps set forth below and provide proof of purchase to the servicer.

The limited warranty described herein is in addition to whatever implied warranties may be granted to the purchaser by law. ALL IMPLIED WARRANTIES INCLUDING THE WARRANTIES OF MERCHANTABILITY AND FITNESS FOR USE ARE LIMITED TO THE PERIOD SET FORTH BELOW. Some states do not allow limitations on how long an implied warranty lasts, so the above limitation may not apply to you.

Neither the sales personnel or the seller nor any other person is authorized to make any warranties other than those described herein, or to extend the duration of any warranties beyond the time period described herein on behalf of WMI.

The warranties described herein shall be the sole and exclusive warranties granted by WMI and shall be the sole and exclusive remedy available to the purchaser. Correction of defects, in the manner and for the period of time described herein, shall constitute complete fulfillment of all liabilities and responsibilities of WMI to the purchaser with respect to the Product, and shall constitute full satisfaction of any and all claims, whether based on contract, negligence, strict liability or otherwise. In no event shall WMI be liable, or in any way responsible, for any damages or defects in the Product which were caused by unauthorized repair or installation, or attempted repairs performed by anyone other than an authorized servicer, or by misuse of the Product. Nor shall WMI be liable or in any way responsible for any incidental or consequential economic or property damage. Some states do not allow the exclusion of incidental or consequential damages, so the above exclusion may not apply to you.

THIS WARRANTY GIVES YOU SPECIFIC LEGAL RIGHTS. YOU MAY ALSO HAVE OTHER RIGHTS WHICH MAY VARY FROM STATE TO STATE.

Your Product Model Number & Description: CZ01, Matcha Maker. Be sure to have this information available when you seek service for your Product.

Warranty Period for this Product: Twelve (12) months from the date of purchase (parts and labor).

Where to Obtain Service: Please email hi@cuzenmatcha.com to obtain service instructions.

What to do to Obtain Service: Be sure to have **Proof of Purchase** available (e.g. receipt). When you ship the Product, be sure it is insured and packaged securely.

TO OBTAIN PRODUCT INFORMATION OR TO PURCHASE ACCESSORIES, VISIT www.cuzenmatcha.com

THIS LIMITED WARRANTY IS VALID ONLY IN THE FIFTY (50) UNITED STATES, THE DISTRICT OF COLUMBIA, AND PUERTO RICO.

