
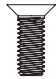


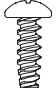
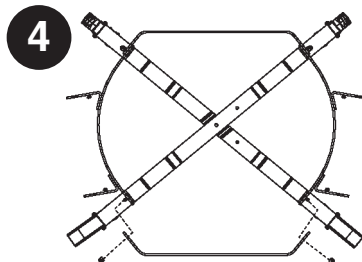
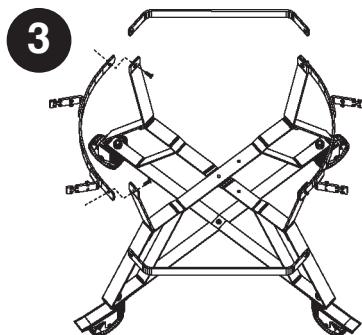
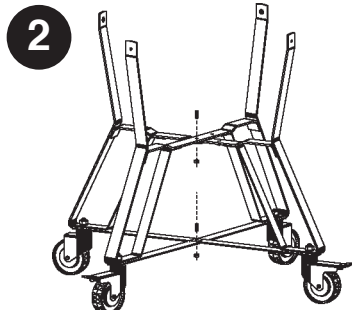
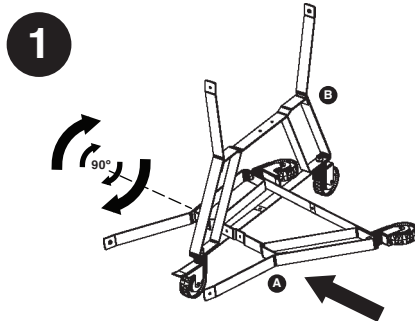
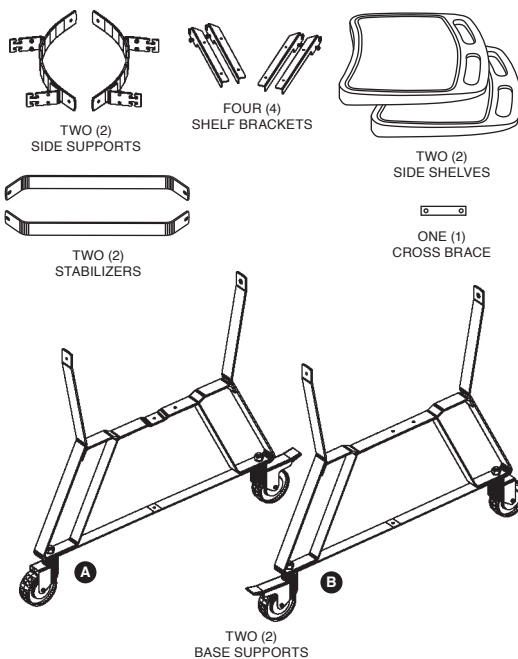


**TOOLS REQUIRED FOR ASSEMBLY:**  
 ADJUSTABLE WRENCH OR 10MM & 11MM WRENCH  
 LARGE PHILLIPS HEAD SCREWDRIVER

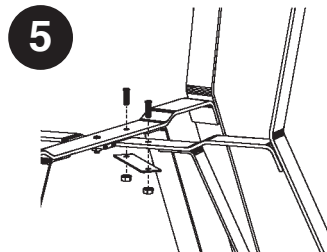
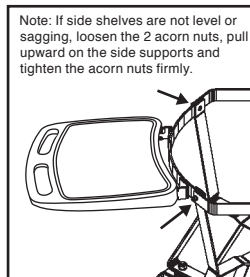
## HARDWARE

USED IN STEP 2 & 5	USED IN STEP 3	USED IN STEP 4
 FOUR (4) M6X20 THREADED STUDS	 FOUR (4) M6X16 FLAT PHILLIPS HEAD SCREWS	 FOUR (4) M6 ACORN NUTS
 FOUR (4) M6 LOCK NUTS	<b>SIDE TABLE SCREWS</b>  EIGHT (8) SELF-TAPPING PHILLIPS HEAD SCREWS	

## COMPONENTS



Note: Locking casters should face forward on the long side.



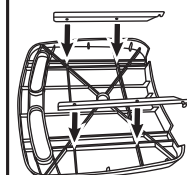
## ASSEMBLY INSTRUCTIONS

Remove all parts from the packaging and compare to the parts list. Refer to the numbered drawings (left) for assembly guidance.

- Holding base support B on the floor insert base support A through B as shown. Twist base support A into the upright position as shown in step 2.
- Align the center holes as shown. Insert the 2 M6X20 threaded studs through the top of the center holes and attach 2 M6 lock nuts from below the assembly. FINGER TIGHTEN ONLY AT THIS TIME
- Insert 4 M6X16 phillips head screws through the holes in the base support uprights with the threads facing outward of the assembly. Align the 2 side supports over the fasteners.
- Align one of the stabilizers over the fasteners and attach 2 M6 acorn nuts. Repeat for the opposite side of the assembly. FINGER TIGHTEN ONLY AT THIS TIME
- Insert 2 M6X20 threaded studs in each hole toward the center of the base supports, threads facing downward. Align the cross brace from below and fasten 2 M6 lock nuts to the screws. Tighten ALL fasteners with an adjustable or 10MM & 11MM wrench and phillips head screwdriver.

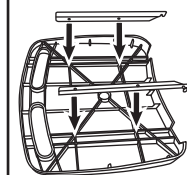
## SIDE SHELF BRACKET ASSEMBLY

### OVAL XL AIO

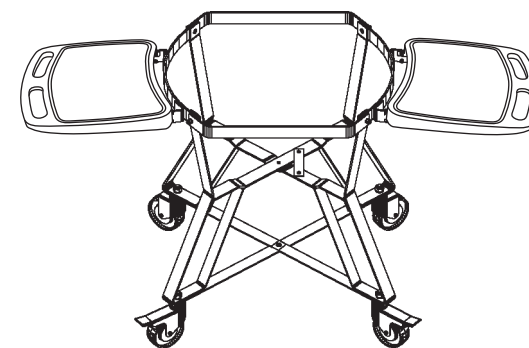


Fasten 4 self-tapping screws per shelf in outer mounting holes.

### OVAL JR & LG AIO



Fasten 4 self-tapping screws per shelf in inner mounting holes.



**COMPLETED ASSEMBLY**