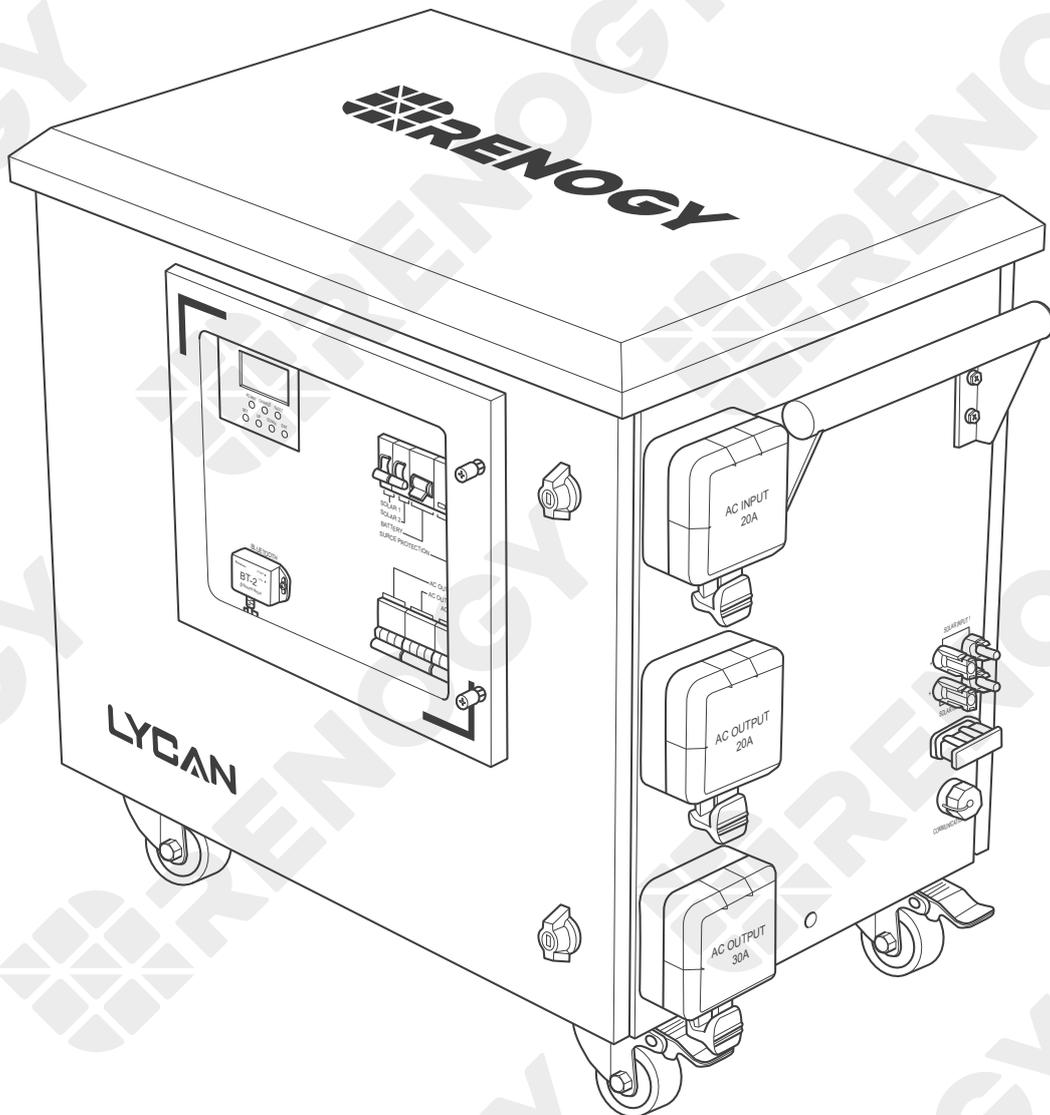


# LYCAN 5000

Power Box

RPB48350A-48LFPA12S

VERSION A1



## QUICK GUIDE



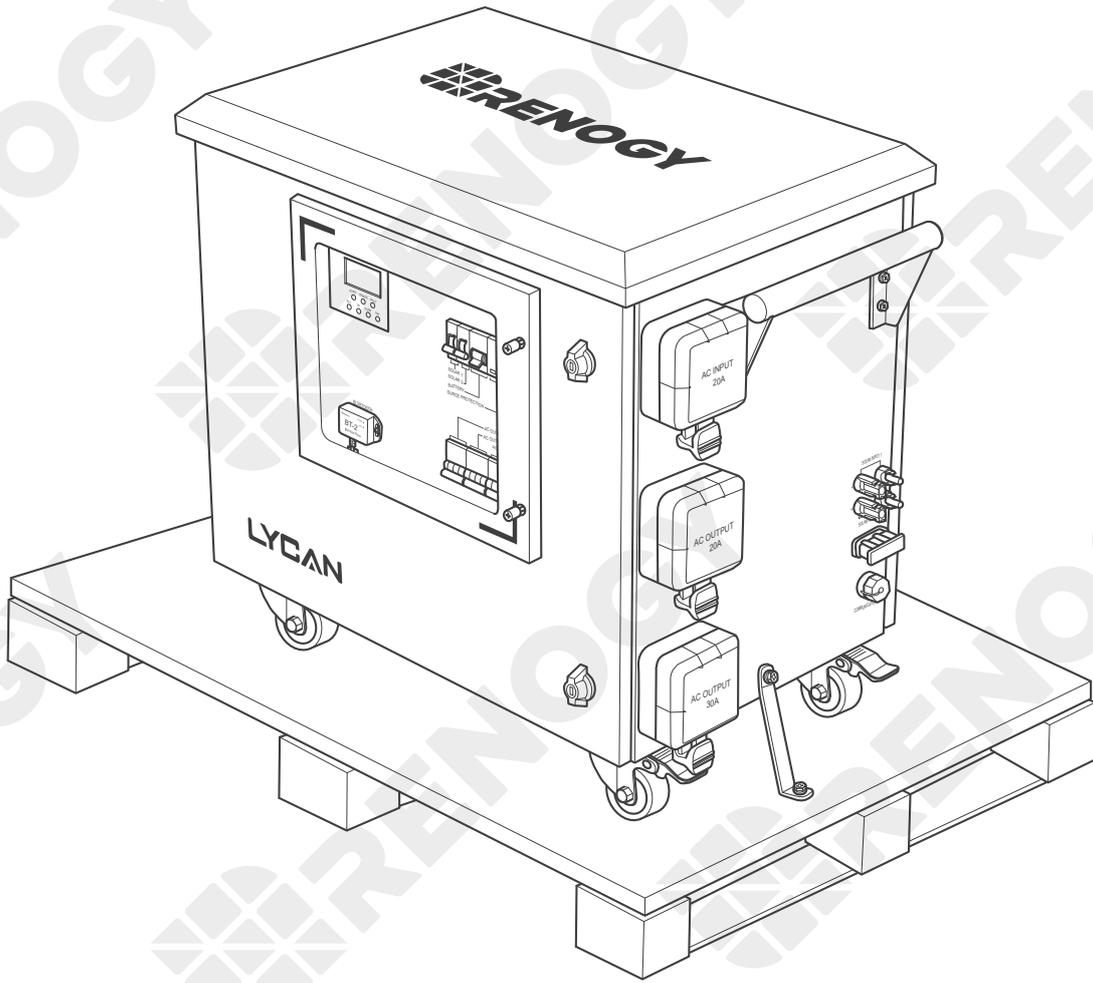
Scan for the User Manual.

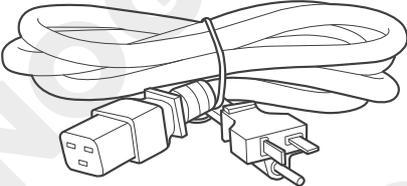
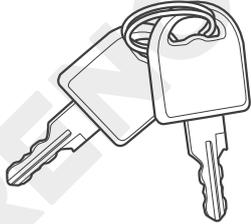
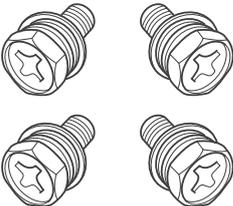
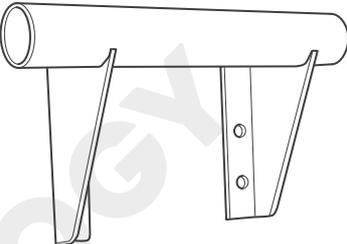
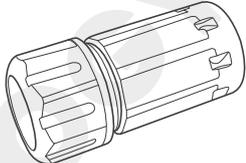
# Table of Contents

|                             |    |
|-----------------------------|----|
| Package Contents .....      | 01 |
| Wiring Diagram.....         | 02 |
| Product Overview .....      | 03 |
| Installation .....          | 05 |
| Turning On.....             | 07 |
| Charging.....               | 08 |
| AC Charging .....           | 08 |
| Solar Charging.....         | 09 |
| Powering Appliances .....   | 11 |
| Temporary Power Supply..... | 11 |
| Off-Grid Living.....        | 13 |
| Emergency Backup.....       | 15 |
| Bluetooth Pairing .....     | 19 |
| Turning Off.....            | 20 |
| Capacity Expansion.....     | 22 |
| Maintenance .....           | 24 |
| Fan Operation.....          | 24 |
| Inspection .....            | 24 |
| Storage .....               | 25 |



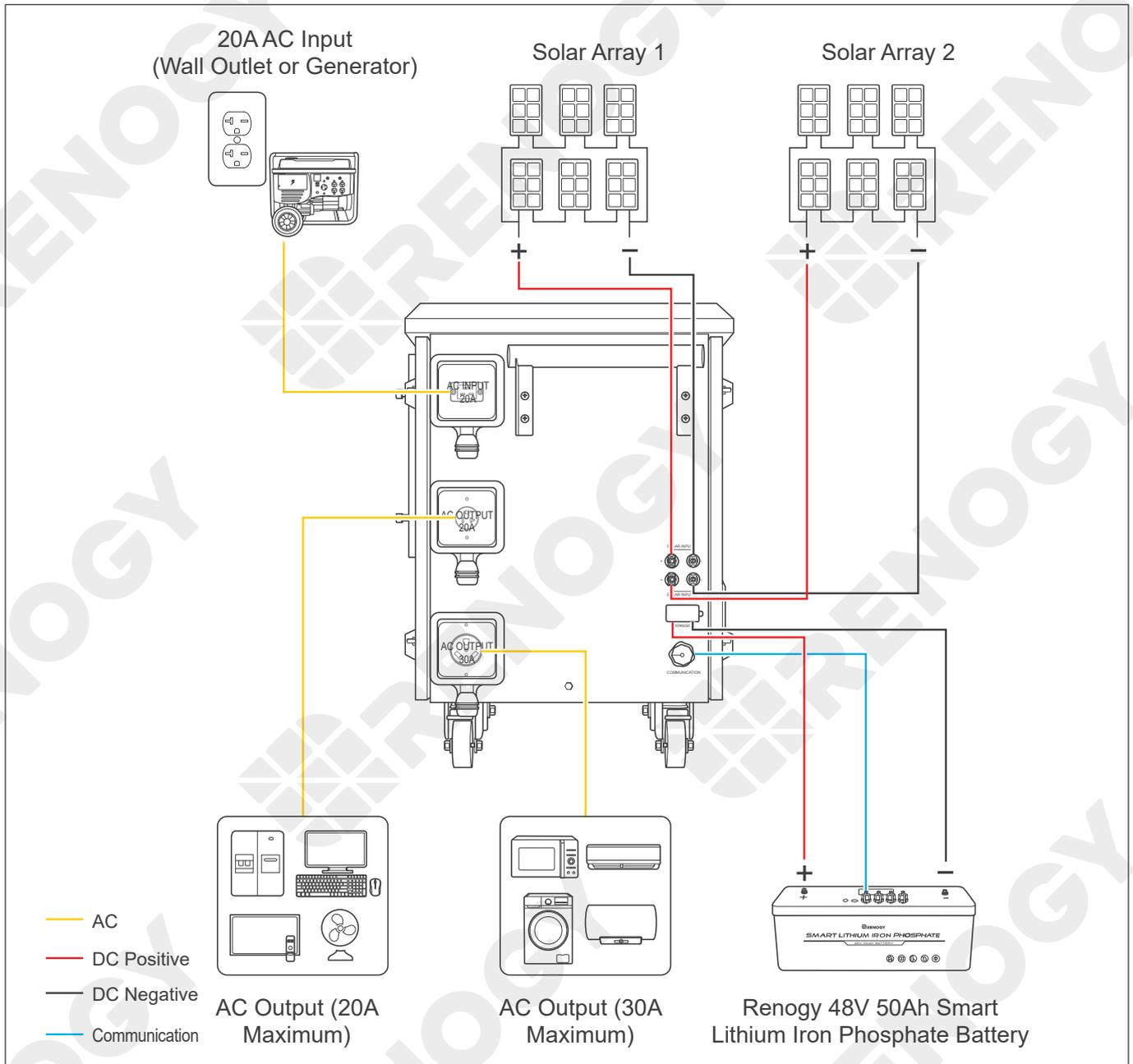
# Package Contents



| Quick Guide × 1   | IEC C19 to NEMA 5-20P Power Cable × 1   | Keys × 2  |
|---|---|---|
|    |  |  |
| Handle Bar Screws × 4   | Handle Bar × 1  | RJ45 Plug Waterproof Housing × 1  |
| <p data-bbox="244 1821 427 1850">M8x1.25x20mm</p>  |  |  |



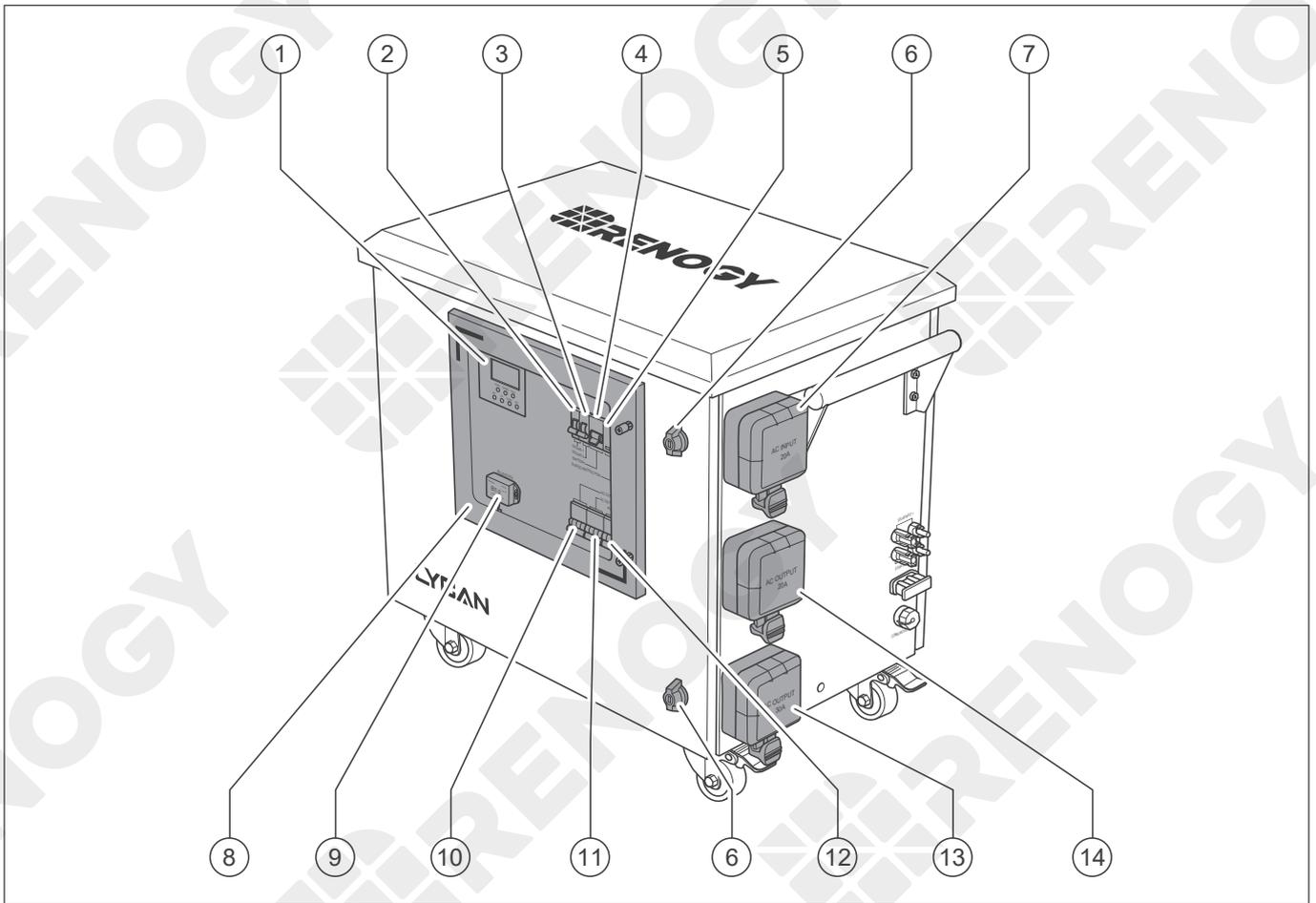
# Wiring Diagram



- This Quick Guide contains important installation, operation, and maintenance instructions for LYCAN 5000 Power Box. Please read the Quick Guide carefully before using.
- Illustrations in the Quick Guide are for reference only.
- For more detailed instructions, please refer to the user manual at [renogy.com](http://renogy.com).
- For additional support, please contact our customer service through [renogy.com/contact-us/](http://renogy.com/contact-us/).



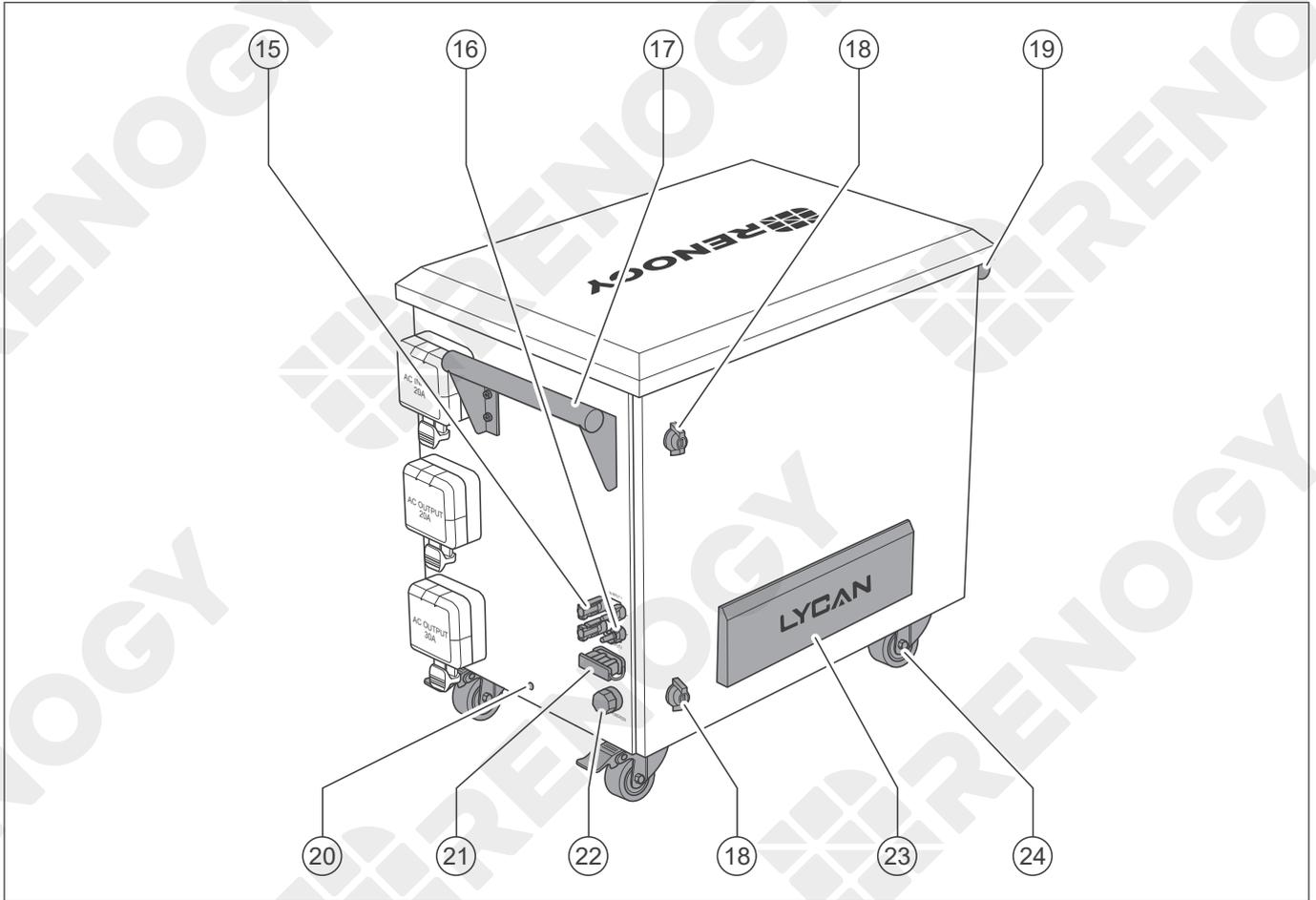
# Product Overview



| NO. | Part   | NO. | Part                            |
|-----|--|-----|---------------------------------|
| 1   | Solar Inverter Charger Display<br>(Including Indicators and Buttons) | 8   | Viewing Window                  |
| 2   | Solar Input Circuit Breaker 1  | 9   | Bluetooth Module                |
| 3   | Solar Input Circuit Breaker 2  | 10  | AC Output Circuit Breaker (20A) |
| 4   | Battery Circuit Breaker  | 11  | AC Output Circuit Breaker (30A) |
| 5   | Surge Protection Device  | 12  | AC Input Circuit Breaker (20A)  |
| 6   | Front Door Locks   | 13  | AC Outlet (30A)                 |
| 7   | AC Inlet (20A)   | 14  | AC Outlet (20A)                 |



# Product Overview



| NO. | Part                               | NO. | Part   |
|-----|------------------------------------|-----|--|
| 15  | Solar Connector 1                  | 20  | Grounding Hole                                     |
| 16  | Solar Connector 2                  | 21  | Gray Anderson 120 Connector (Including Dust Cover) |
| 17  | Handle Bar (Pre-Installed)         | 22  | RJ45 Jack (Including Waterproof Housing)           |
| 18  | Back Door Locks                    | 23  | Vent Cover   |
| 19  | Handle Bar (Installation Required) | 24  | Swivel Casters                                     |



- Please inspect the unit for any visible damage including cracks, dents, deformation, and other visible abnormalities before installation.
- All connector contacts shall be dry, clean, and free of any dirt and corrosion.
- DO NOT touch the exposed electrolyte or powder if the batteries inside LYCAN are damaged.
- Please wear proper protective equipment and use insulated tools during installation and operation.



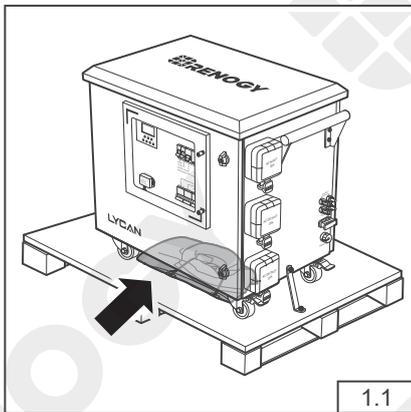
# Installation

## Required Tools and Accessories

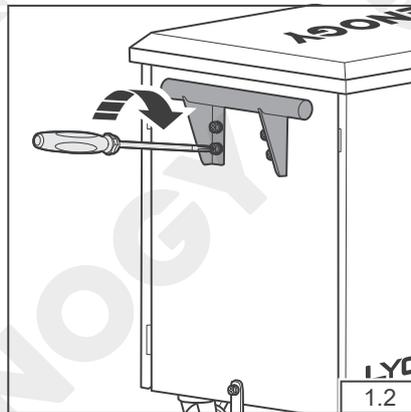
| Phillips Screwdriver (#2) | Wrench (10mm) | Wrench (12mm) | Grounding Cable |
|---------------------------|---------------|---------------|-----------------|
|                           |               |               |                 |



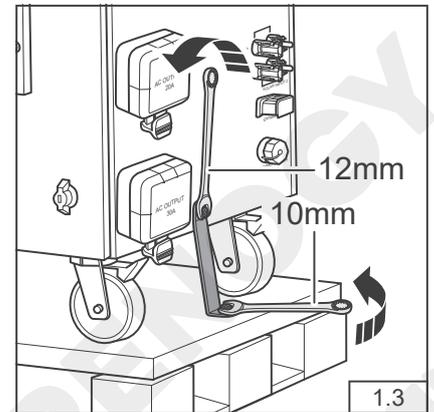
- Make sure that the Handle Bar is installed firmly on LYCAN.
- Allow at least 1 foot of space behind the Vent Cover for efficient heat dissipation.
- Install LYCAN at ground level on a flat surface. Ensure that the installation environment is clean, cool, ventilated and away from direct sunlight.
- If transporting the Swivel Casters over wet surfaces, ensure water is not deeper than 2 inches.



Find the Handle Bar and the Handle Bar Screws under LYCAN.



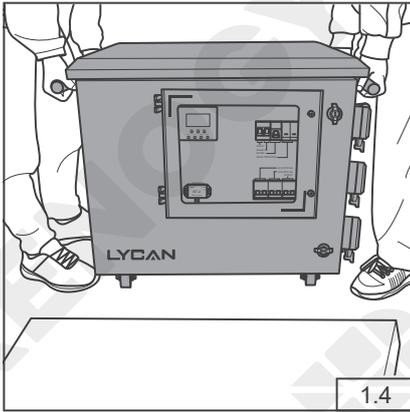
Install the Handle Bar on the left side of LYCAN with the Handle Bar Screws. Make sure that the Screws are firmly tightened with the Phillips Screwdriver.



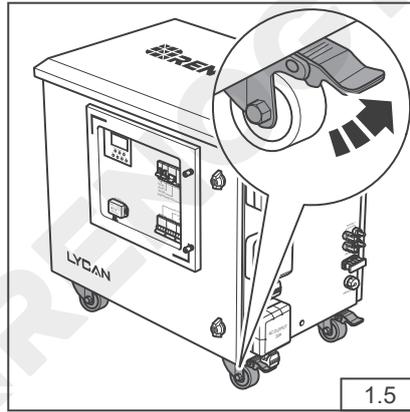
Loosen the screws to remove the fixing brackets from LYCAN. Keep the upper screws properly for subsequent grounding cable connection.



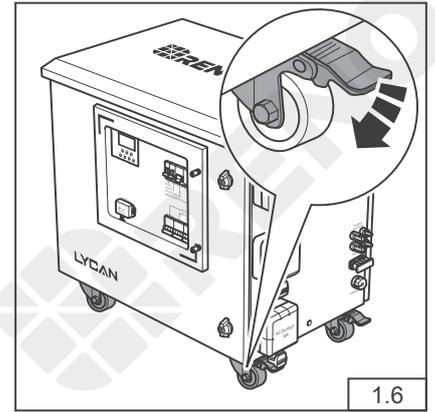
# Installation



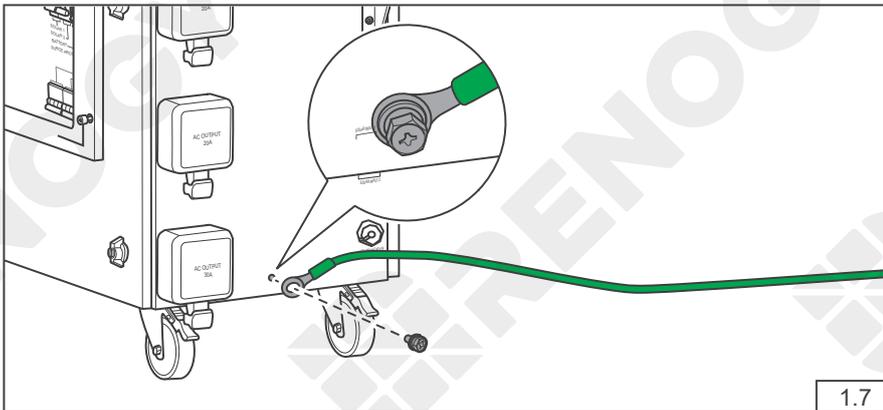
Lift LYCAN from the skid with two people.



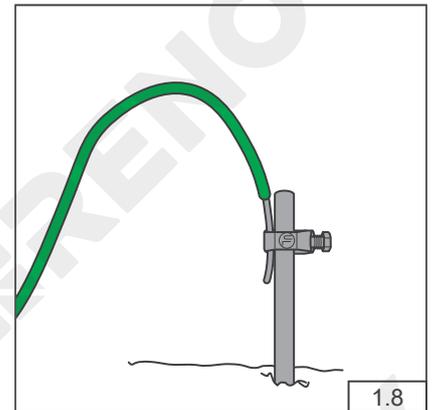
Release the Pedal Brakes on Swivel Casters. Move LYCAN to a proper installation location.



Engage the Pedal Brakes on Swivel Casters to prevent LYCAN from moving.



Connect the ring terminal of a grounding cable (not included) to the grounding hole of LYCAN with the screws removed from the fixing bracket.



Connect the bare wire end of the grounding cable to a grounding rod (not included).

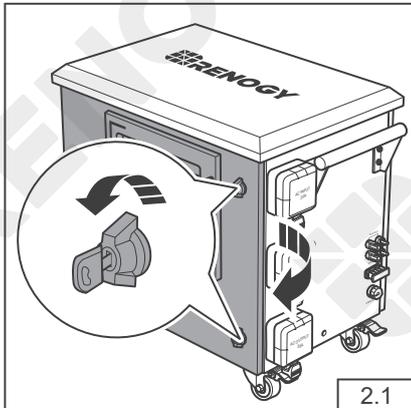


- Please secure the grounding cable connections to the proper specification.
- Please use 4AWG or larger grounding cable.

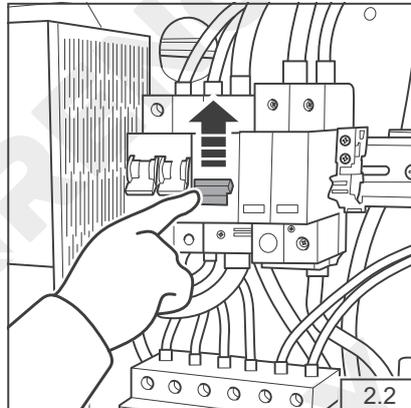
# Turning On



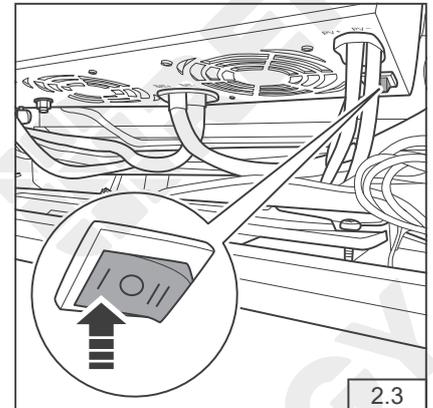
- Please turn LYCAN on before charging it or using it to power appliances.



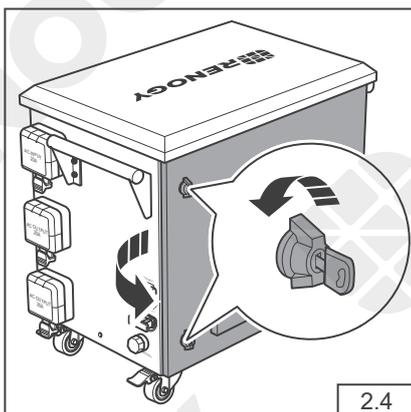
Open the Front Door Locks with the included Keys and rotate the wing knobs counterclockwise by 90° to open the front door.



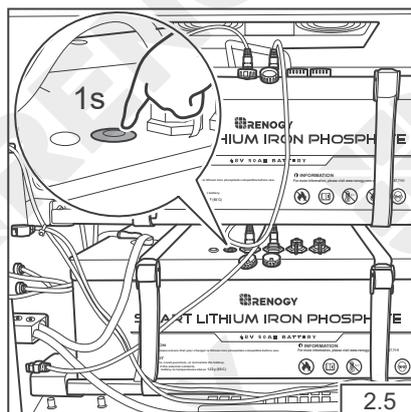
Push the switch on the Battery Circuit Breaker up.



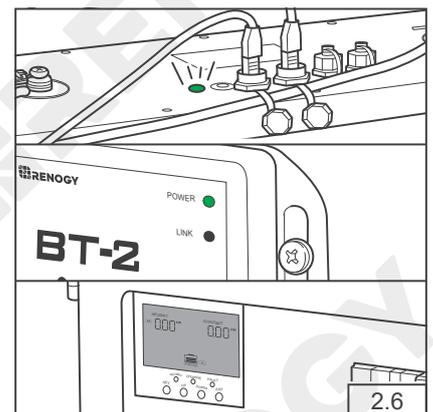
Locate the switch on the bottom of the solar inverter charger. Turn the switch to the ON position (I).



Open the Back Door Locks with the included Keys and rotate the wing knobs counterclockwise by 90° to open the back door.



Press and hold the power button on the top of either of the batteries for 1 second to turn on the batteries.



The indicators of the batteries flash green. The POWER indicator of the Bluetooth module lights up green. The buzzer of the solar inverter charger beeps briefly, and the Solar Inverter Charger Display turns on.

LYCAN might not be operating properly and needs troubleshooting if the following occurs. Please refer to the user manuals of relevant products at [renogy.com](http://renogy.com) for troubleshooting instructions.

- 48V 3500W Solar Inverter Charger: The Solar Inverter Charger Display does not turn on, or the Solar Inverter Charger FAULT Indicator lights up/ flashes red.
- 48V 50Ah Smart Lithium Battery: The indicators of the batteries do not light up or light up/flash red.
- BT-2 Bluetooth Module: The POWER indicator of the Bluetooth module does not light up.



- Please close the front door and back door, rotate the wing knobs clockwise by 90°, and lock the Front Door Lock and Back Door Lock after turning LYCAN on.



# Charging

AC Charging

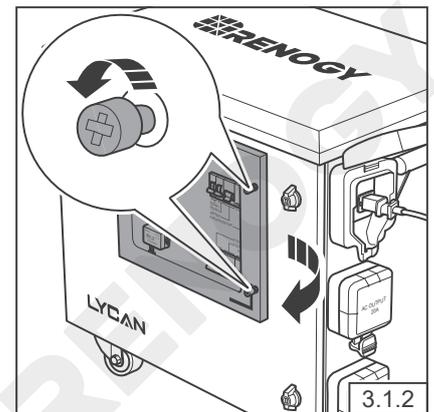
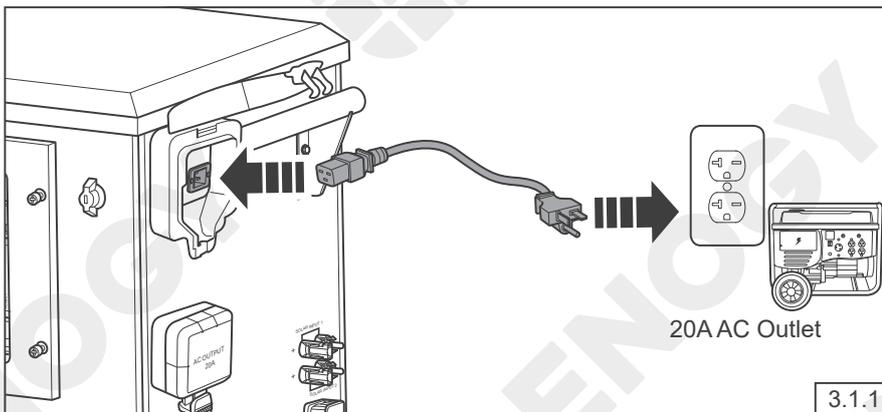
Solar Charging

LYCAN supports both AC charging and solar charging, which can be combined for a faster charging speed.



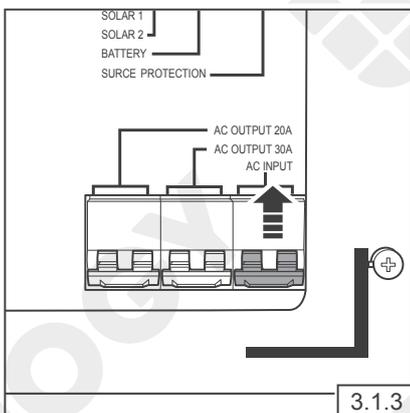
- The solar inverter charger is preset to operate with the batteries. While no additional programming is required, some parameters can be modified for specific applications. Please note that modifying the parameters outside the specified range can lead to irreversible damage to LYCAN and voids the warranty. Please refer to the user manual of LYCAN at [renogy.com](http://renogy.com) for more information.

## AC Charging

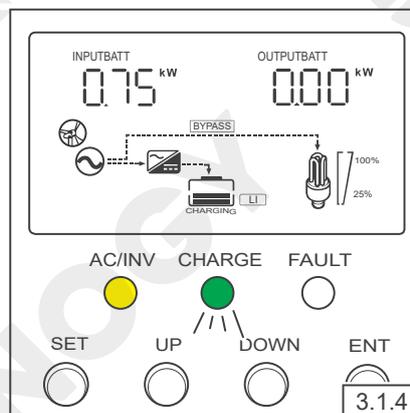


Connect LYCAN to a wall outlet or a generator (not included) with the included Power Cable.

Loosen the captive screws to open the Viewing Window.



Push the switch on the AC Input Circuit Breaker up.



The Solar Inverter Charger Display shows that the battery is being charged by AC, and the Solar Inverter Charger CHARGE Indicator flashes green.



- The wall outlet and the outlet on the generator **MUST** be rated at 20A or greater.
- If the 20A outlet is not available, please plug the Power Cable to a 15A outlet with a NEMA 5-20R to NEMA 5-15P plug adapter (not included) and adjust the maximum AC input current of the solar inverter charger to 15A. Refer to the user manual of LYCAN at [renogy.com](http://renogy.com) for more instructions.



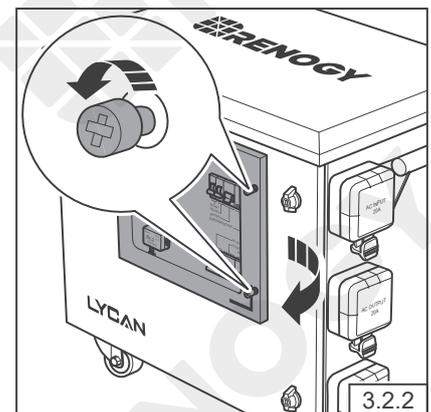
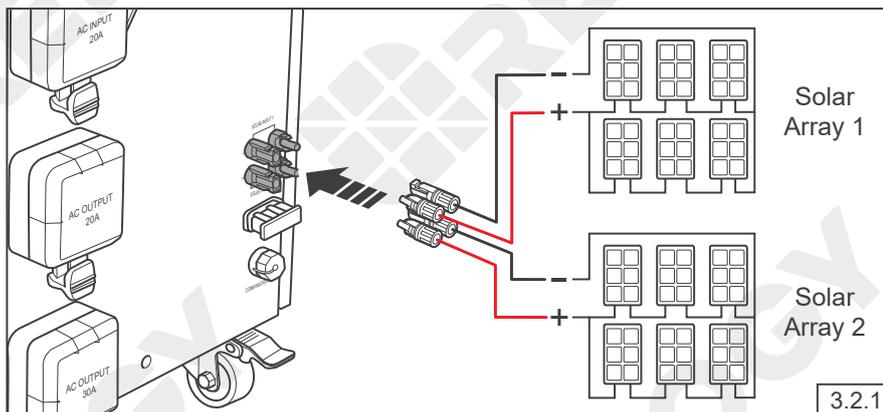
# Charging

AC Charging

Solar Charging

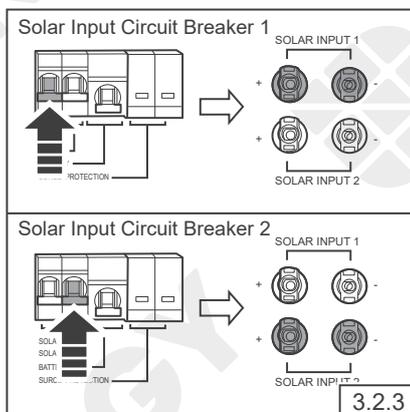
- Please close the Viewing Window and tighten the captive screws after completing the steps above.
- Press the Solar Inverter Charger UP and DOWN Buttons to turn the page and view detailed charging status. Please refer to the user manual of 48V 3500W Solar Inverter Charger at [renogy.com](http://renogy.com) for more instructions.

## Solar Charging

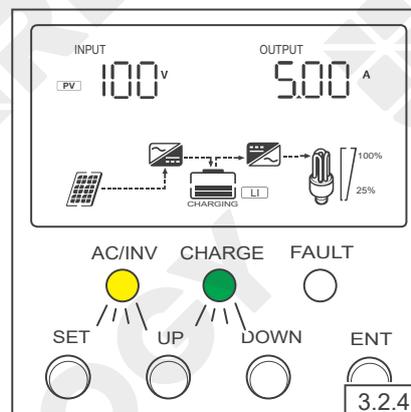


Connect the solar panels (sold separately) in series and/or parallel to form solar arrays. Connect the solar arrays to the Solar Connectors of LYCAN. LYCAN accepts up to 2 solar arrays.

Loosen the captive screws to open the Viewing Window.



Push the switch on the corresponding Solar Input Circuit Breaker up.



The Solar Inverter Charger Display shows that the battery is being charged by solar, and the Solar Inverter Charger CHARGE Indicator flashes green.



# Charging

AC Charging

Solar Charging



- Please close the Viewing Window and tighten the captive screws after completing the steps above.
- The operating voltage of the solar array shall exceed 60VDC, the open circuit voltage shall NOT exceed 150VDC, and the short circuit current shall NOT exceed 20A.
- Make sure that the 2 solar arrays have the same operating voltage and are not partially shaded. Operating voltage mismatches or partial shading can cause current backflow and damage solar arrays.
- Press the Solar Inverter Charger UP and DOWN Buttons to turn the page and view detailed charging status. Please refer to the user manual of 48V 3500W Solar Inverter Charger at [renogy.com](http://renogy.com) for more instructions.
- Additional protection devices including DC ground fault circuit interrupters, DC arc fault circuit interrupters, and rapid shutdown devices (not included) may be required to comply with the local, state, and federal regulations for solar systems.



# Powering Appliances

Temporary Power Supply

Off-Grid Living

Emergency Backup

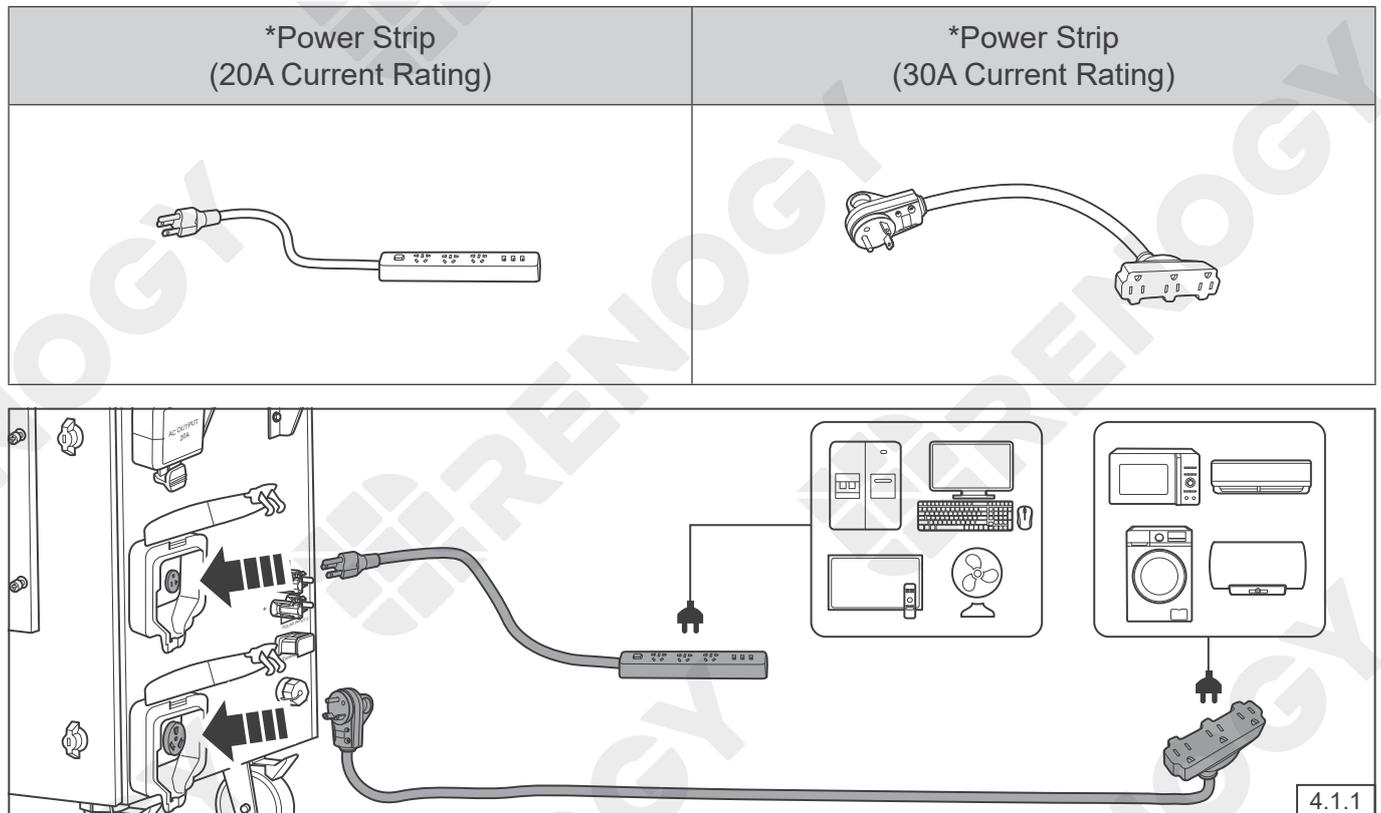
LYCAN can power appliances at temporary sites, in permanent off-grid homes, and during emergencies with Power Strips, AC Load Centers, and Transfer Switches respectively. Please refer to the corresponding instructions based on actual applications.



- Please fully charge LYCAN prior to first use.

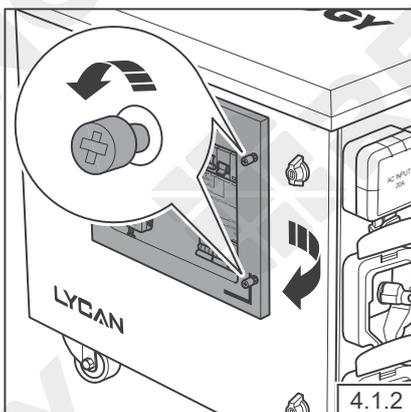
## Temporary Power Supply

### Recommended Accessories



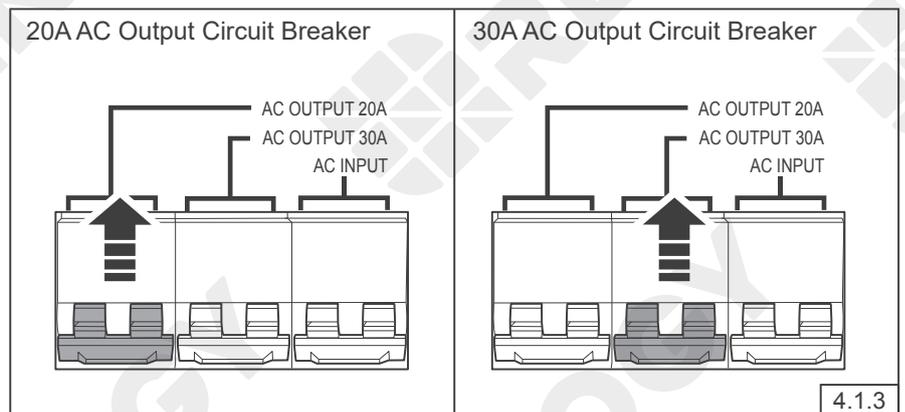
4.1.1

Connect the Power Strips (not included) with corresponding current ratings to the 20A and 30A AC Outlets of LYCAN. Plug appliances into the Power Strips.



4.1.2

Loosen the captive screws to open the Viewing Window.



4.1.3

Push the switch on the corresponding AC Output Circuit Breaker up.

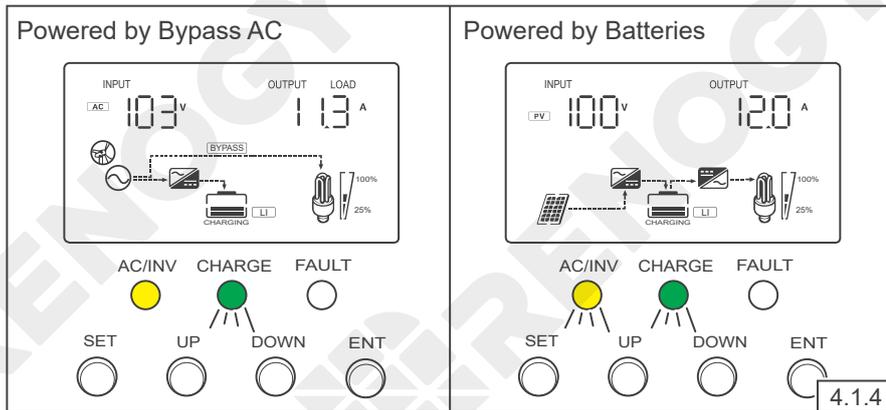


# Powering Appliances

Temporary Power Supply

Off-Grid Living

Emergency Backup



The Solar Inverter Charger AC/INV Indicator lights up yellow when the appliances are powered by bypass AC.

The Solar Inverter Charger AC/INV Indicator flashes yellow when the appliances are powered by the batteries.



- Please close the Viewing Window and tighten the captive screws after completing the steps above.
- When the 20A AC Outlet is used to power appliances, the continuous loads shall not exceed 16A, and the noncontinuous loads shall not exceed 20A.
- When the 30A AC Outlet is used to power appliances, the continuous loads shall not exceed 24A, and the noncontinuous loads shall not exceed 30A.
- If the appliances are powered by bypass AC from a 20A outlet, the continuous loads shall not exceed 16A, and the noncontinuous loads shall not exceed 20A, no matter which AC outlet on LYCAN is used.
- If the appliances are powered by bypass AC from a 15A outlet, the continuous loads shall not exceed 12A, and the noncontinuous loads shall not exceed 15A, no matter which AC outlet on LYCAN is used.



# Powering Appliances

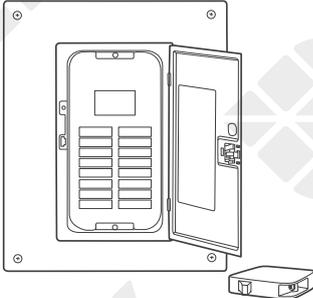
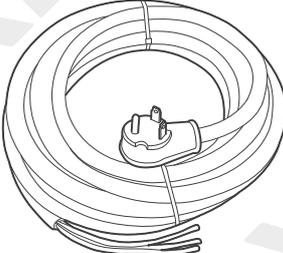
Temporary Power Supply

Off-Grid Living

Emergency Backup

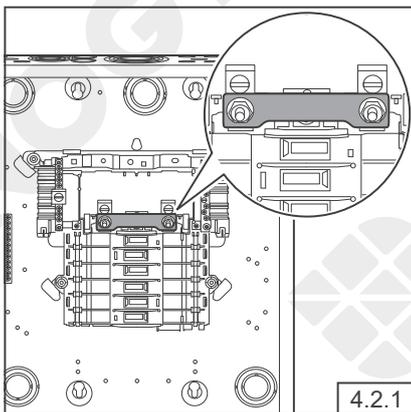
## Off-Grid Living

### Recommended Accessories

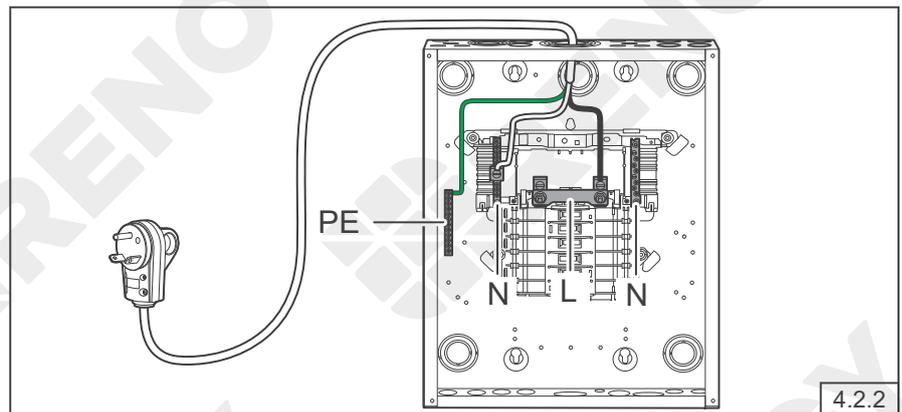
| *AC Load Center and AC Circuit Breakers   | *NEMA TT-30P to Bare Wire Adapter Cable   |
|---|---|
|  |  |



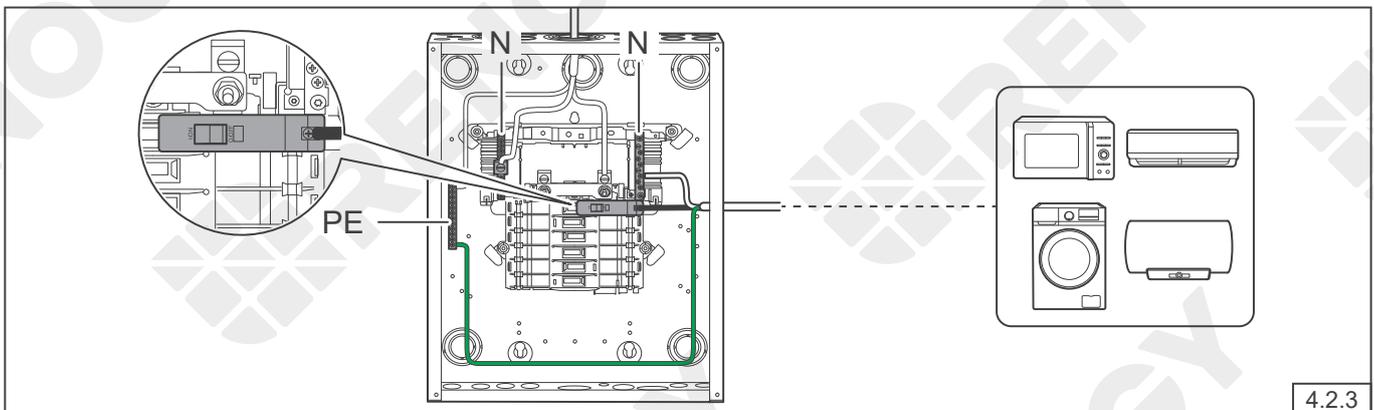
- For a safe and reliable installation, it is recommended that the installation be carried out by a trained and licensed electrician.
- Please read the user manual of the AC Load Center carefully before installation.



Remove the cover of the AC Load Center (not included). Connect the 2 live terminals with a copper busbar (not included).



Connect the bare wire end of the Adapter Cable (not included) to the AC Load Center. The black live wire goes to either of the live terminals (L), the white neutral wire goes to the neutral busbar (N), and the green ground wire goes to the grounding busbar (PE).



Select appropriate AC Circuit Breakers (not included) based on the current ratings and types of the appliances. Connect the appliances to the AC Load Center. The black live wires go to AC Circuit Breakers, the white neutral wires go to the neutral busbar (N), and the green ground wires go to the grounding busbar (PE).

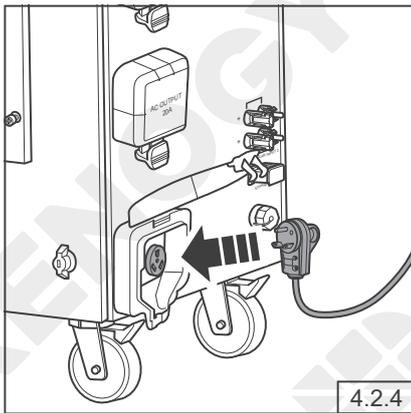


# Powering Appliances

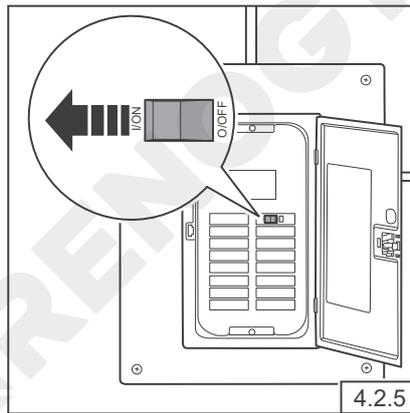
Temporary Power Supply

Off-Grid Living

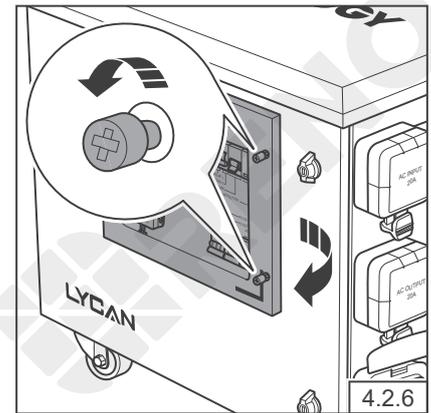
Emergency Backup



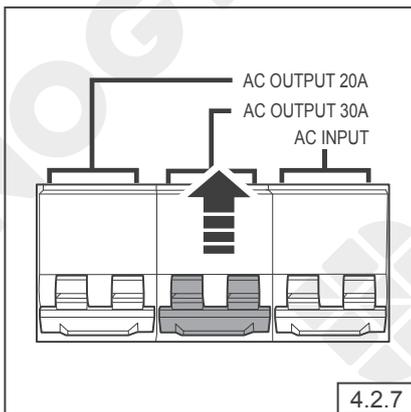
Plug the Adapter Cable into the 30A AC Outlet of the LYCAN.



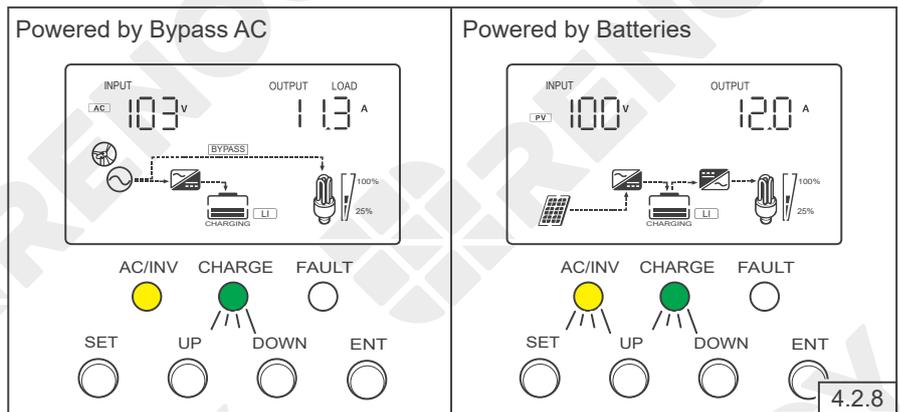
Replace the cover to the AC Load Center. Push the switches on all the AC Circuit Breakers toward the center of the AC Load Center.



Loosen the captive screws to open the Viewing Window.



Push the switch on the 30A AC Output Circuit Breaker up.



The Solar Inverter Charger AC/INV Indicator lights up yellow when the appliances are powered by bypass AC.

The Solar Inverter Charger AC/INV Indicator flashes yellow when the appliances are powered by the batteries.



- Please close the Viewing Window and tighten the captive screws after completing the steps above.
- The AC Circuit Breakers and the appliances MUST be rated at 120VAC.
- The continuous loads shall not exceed 24A, and the noncontinuous loads shall not exceed 30A.
- If the appliances are powered by bypass AC from a 20A outlet, the continuous loads shall not exceed 16A, and the noncontinuous loads shall not exceed 20A.
- If the appliances are powered by bypass AC from a 15A outlet, the continuous loads shall not exceed 12A, and the noncontinuous loads shall not exceed 15A.



# Powering Appliances

Temporary Power Supply

Off-Grid Living

Emergency Backup

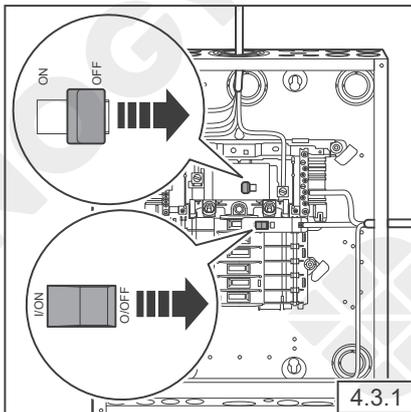
## Emergency Backup

### Recommended Accessories

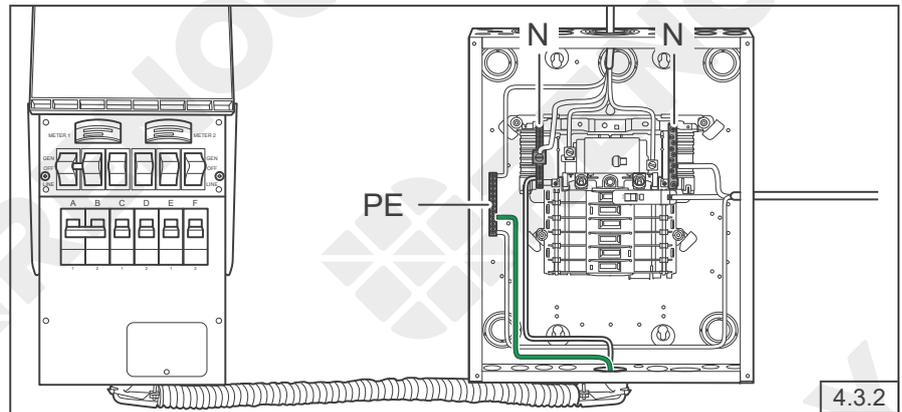
|   |  |
|---|--|
| *Reliance Controls 306A Pro/Tran 2 Manual Transfer Switch | *NEMA TT-30P to NEMA L14-30R Adapter Cable |
|   |  |



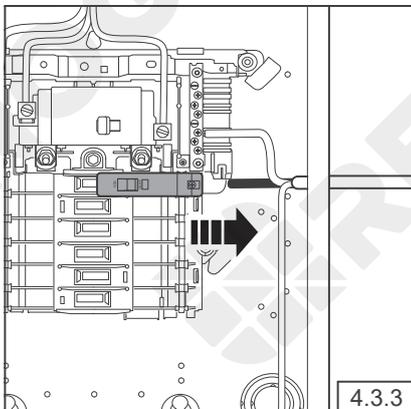
- For a safe and reliable installation, it is recommended that the installation be carried out by a trained and licensed electrician.
- Please read the user manual of the Transfer Switch carefully before installation.



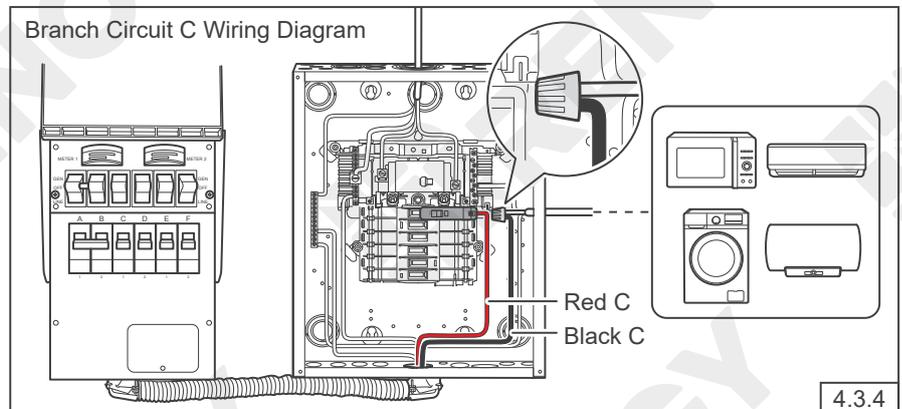
Push the switches on all the AC circuit breakers toward the sides of the AC load center. Remove the cover of the AC load center.



Connect the bare wires from the Transfer Switch (sold separately) to the AC load center. The white neutral wire goes to the neutral busbar (N), and the green ground wire goes to the grounding busbar (PE).



Determine the 120VAC circuits that need to be used during an emergency. Disconnect the black live wires from the corresponding AC branch circuit breakers.



Find the red and black wires from the Transfer Switch that are marked C, D, E, and F. Connect the red wires to the selected AC branch circuit breakers. Insert the black wires marked the same letter and the black live wires disconnected from the AC branch circuit breakers into wire connectors (not included). Twist the wire connectors tightly.



# Powering Appliances

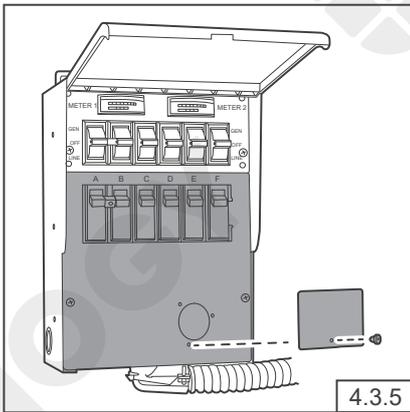
Temporary Power Supply

Off-Grid Living

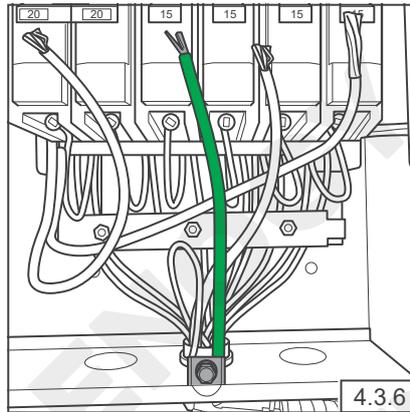
Emergency Backup



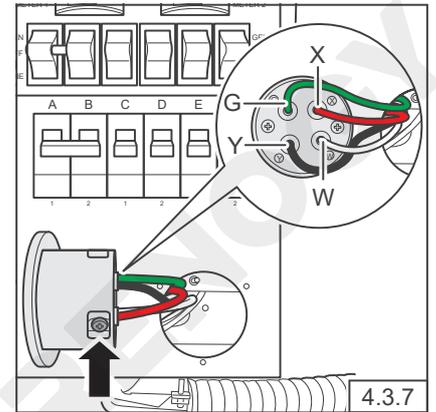
- Connect the Transfer Switch to 120VAC circuits in the AC load center ONLY.
- The current ratings of the AC circuit breakers in the Transfer Switch shall not exceed the current ratings of the corresponding AC branch circuit breakers in the AC load center.
- With a pre-installed double-pole AC branch circuit breaker, the circuits A and B of the Transfer Switch shall not be connected to the 120VAC circuits of the AC load center. If more 120VAC circuits are needed to be used during an emergency, please replace the double-pole AC branch circuit breaker on the circuits A and B with 2 single-pole AC branch circuit breakers, and remove the handle tie from the corresponding circuit selector switches. Refer to the user manual of the Transfer Switch for more instructions.



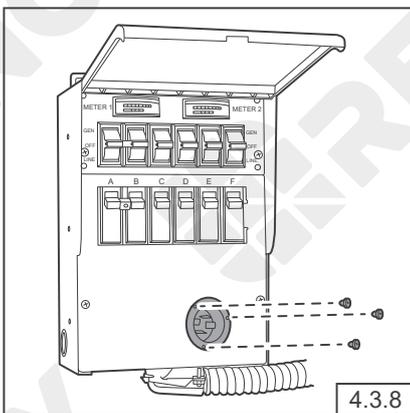
Remove the cover and the power inlet filler plate of the Transfer Switch.



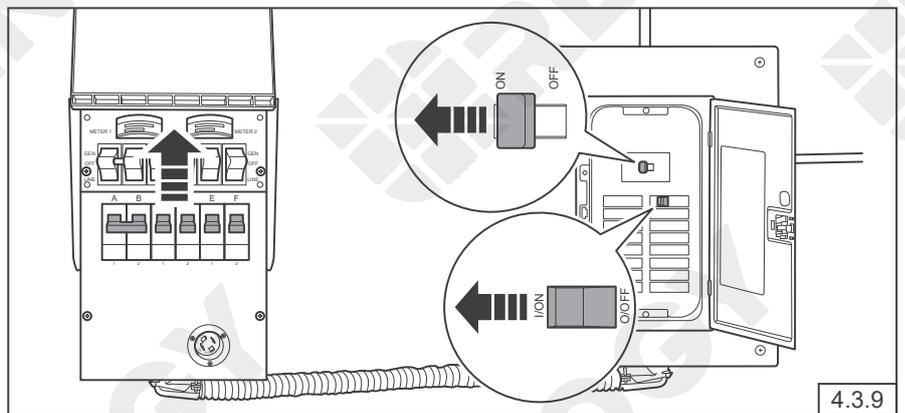
Connect the green ground wire (included in the Transfer Switch) to the grounding terminal of the Transfer Switch.



Replace the cover to the Transfer Switch. Run the bare wires inside the Transfer Switch through the power inlet mounting hole. Connect the bare wires to the power inlet (included in the Transfer Switch). The green ground wire goes to the G terminal, the white neutral wire goes to the W terminal, the black and red live wires go to the X and Y terminals accordingly. Tighten the terminal screws on the side of the power inlet.



Mount the power inlet onto the Transfer Switch.



Replace the cover to the AC load center. Push up the switches on all the AC circuit breakers in the Transfer Switch. Push the switches on all the AC circuit breakers in the AC load center toward the center of the AC load center.

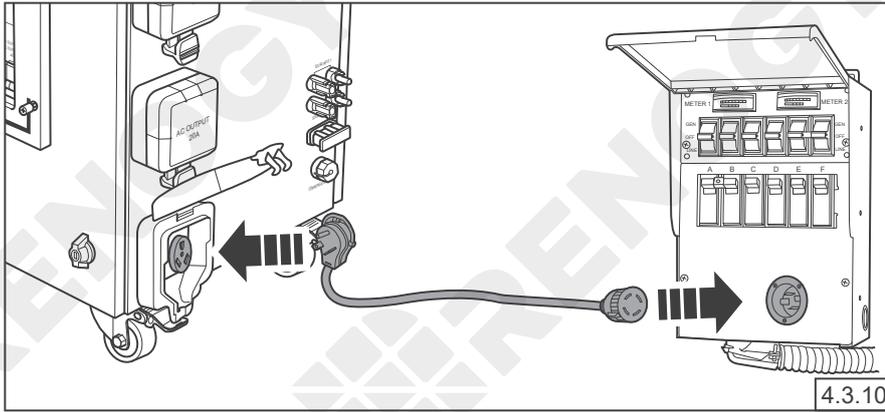


# Powering Appliances

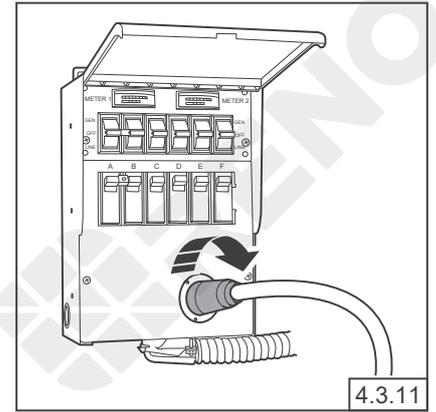
Temporary Power Supply

Off-Grid Living

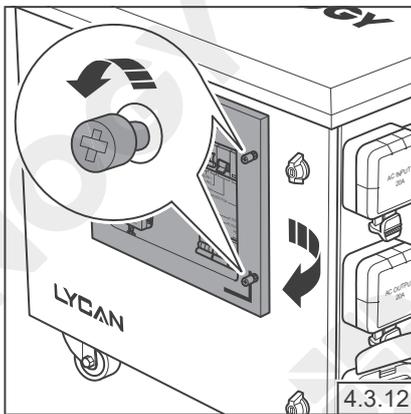
Emergency Backup



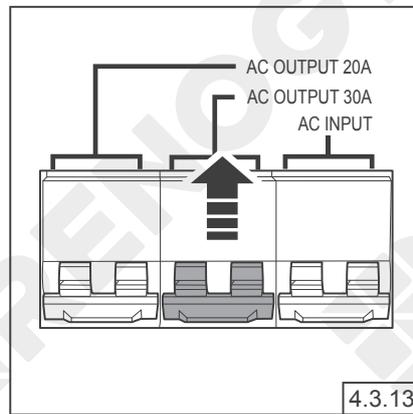
Connect the 30A AC Outlet of LYCAN to the power inlet of the Transfer Switch with the Adapter Cable (sold separately).



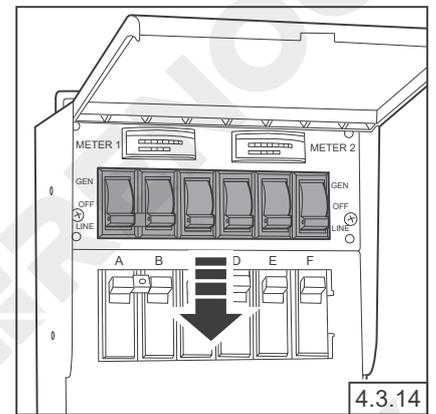
Twist the receptacle end of the Adapter Cable clockwise to lock it into place.



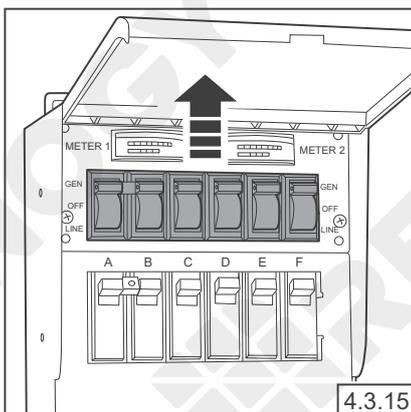
Loosen the captive screws to open the Viewing Window.



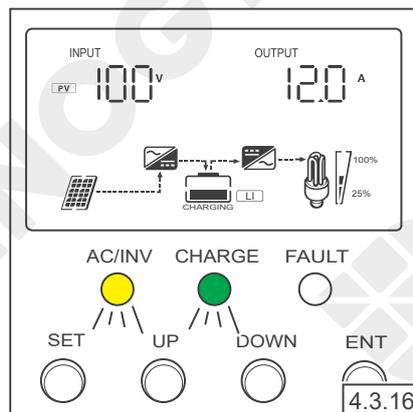
Push the switch on the 30A AC Output Circuit Breaker up.



Move all the circuit selector switches on the Transfer Switch to the LINE position.



During an emergency, determine the circuits to be powered by LYCAN, and move the corresponding circuit selector switches on the Transfer Switch to the GEN position.



The Solar Inverter Charger Display shows that the appliances are powered by the batteries, and the Solar Inverter Charger AC/INV Indicator flashes yellow.



# Powering Appliances

Temporary Power Supply

Off-Grid Living

Emergency Backup



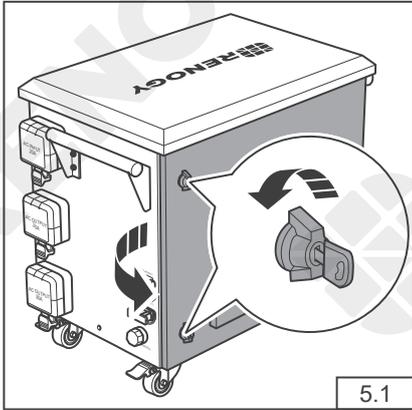
- The Manual Transfer Switch requires the selected circuits to be manually switched from grid to LYCAN during an emergency. If LYCAN is to be operated as an uninterruptible power supply (UPS), please use an automatic transfer switch instead.
- Please close the Viewing Window and tighten the captive screws after completing the steps above.
- The continuous loads shall not exceed 24A, and the noncontinuous loads shall not exceed 30A.
- Leave LYCAN plugged into a wall outlet at all times to keep it topped off and ready to power appliances during an emergency.



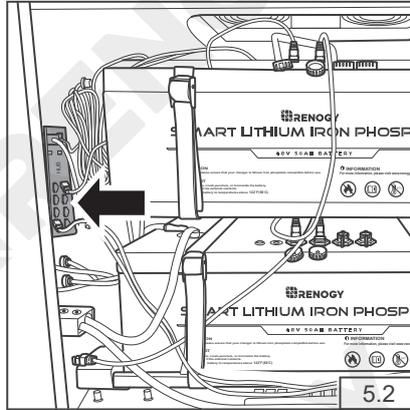
# Bluetooth Pairing



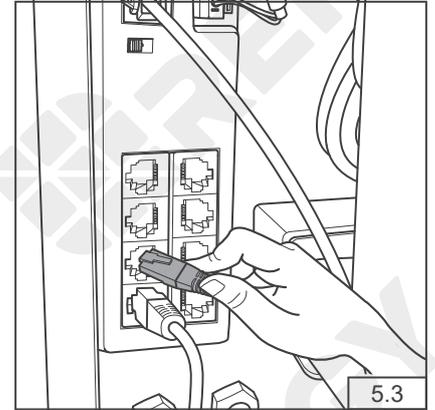
- Please scan the QR code on the last page of the Quick Guide to download the DC Home app.



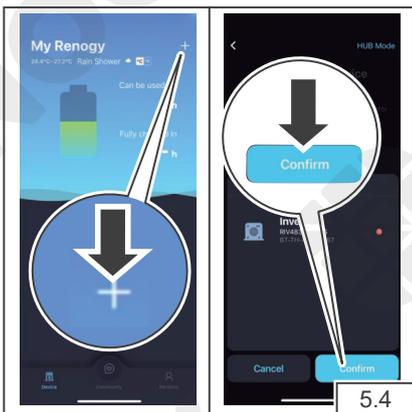
Open the Back Door Locks with the included Keys and rotate the wing knobs counterclockwise by 90° to open the back door.



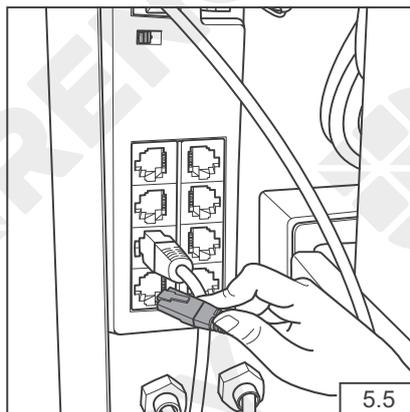
Locate the communication hub.



Unplug either of the Ethernet cables connected to the secondary communication ports of the communication hub.



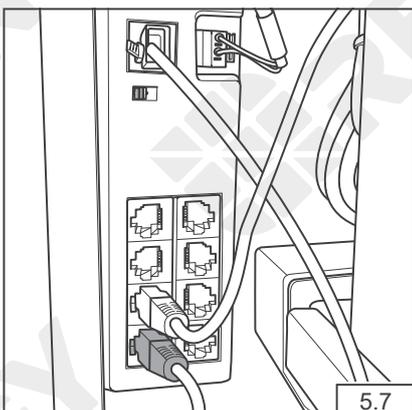
Open the DC Home app, Click "+" to search for new devices. Wait for a few minutes until a new device is found. Click "Confirm" to add the newly found device to the device list.



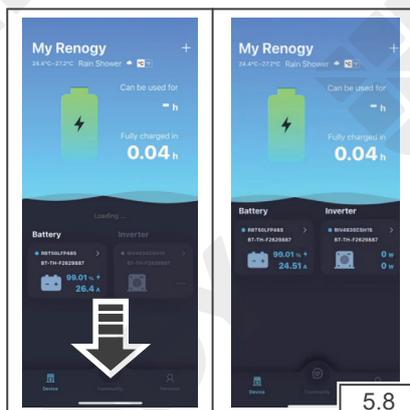
Plug the Ethernet cable back into the secondary communication ports of the communication hub. Unplug the other Ethernet cable.



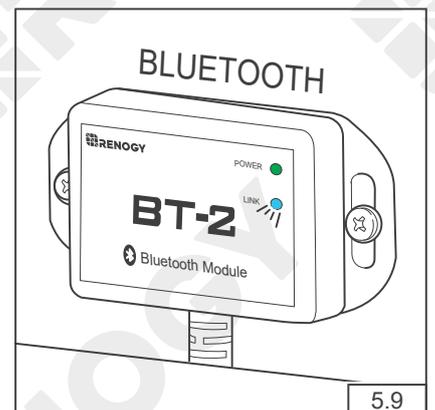
Open the DC Home app, Click "+" to search for new devices. Wait for a few minutes until a new device is found. Click "Confirm" to add the newly found device to the device list.



Plug the Ethernet cable back into the secondary communication ports of the communication hub.



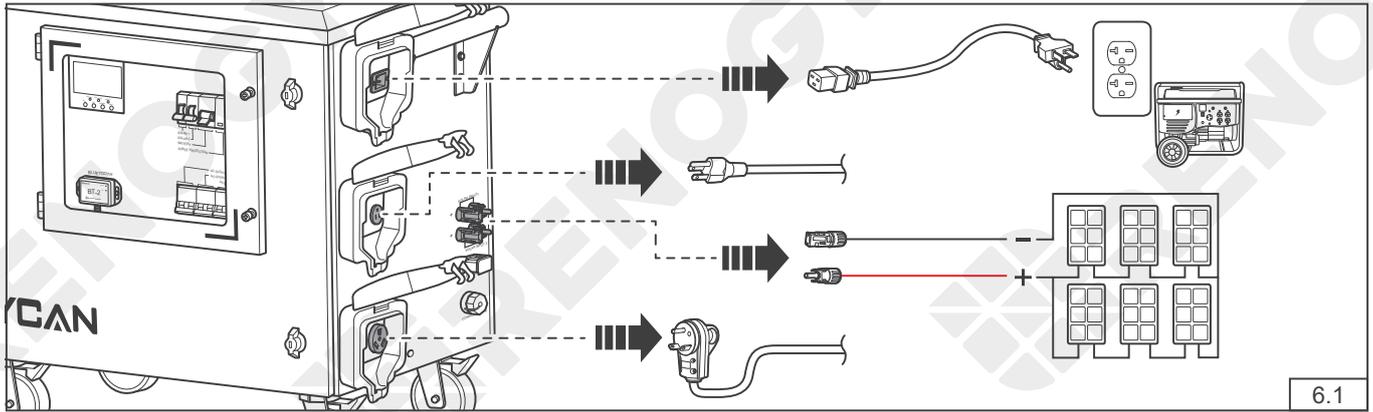
Swipe down to refresh the device list.



The LINK indicator of the Bluetooth Module flashes blue.

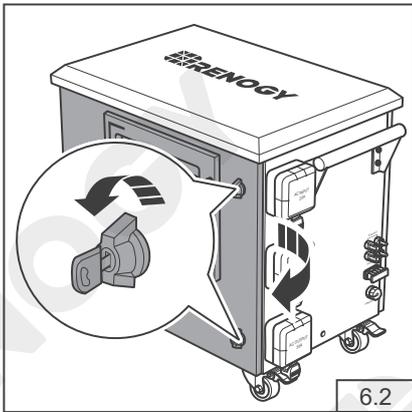


# Turning Off



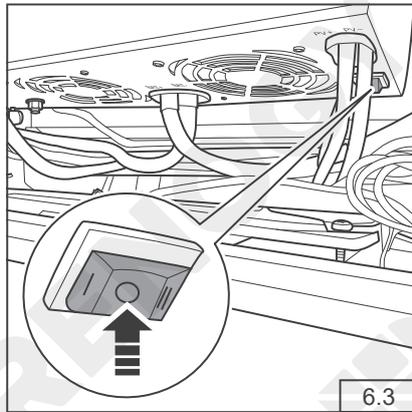
6.1

Disconnect solar and AC inputs from LYCAN.



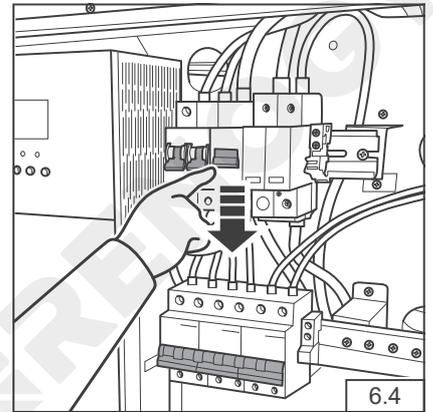
6.2

Open the Front Door Locks with the included Keys and rotate the wing knobs counterclockwise by 90° to open the front door.



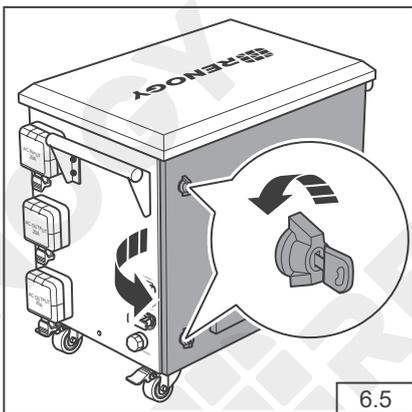
6.3

Locate the switch on the bottom of the solar inverter charger. Turn the switch to the OFF position (O). The Solar Inverter Charger Indicator goes out after a short delay.



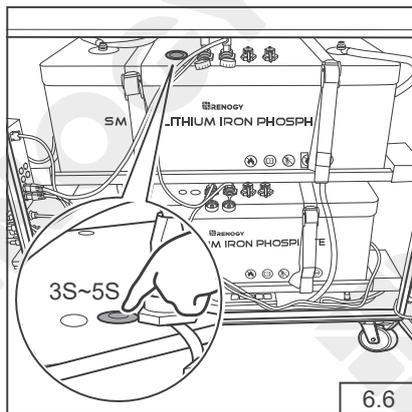
6.4

Push the switches on all the circuit breakers down.



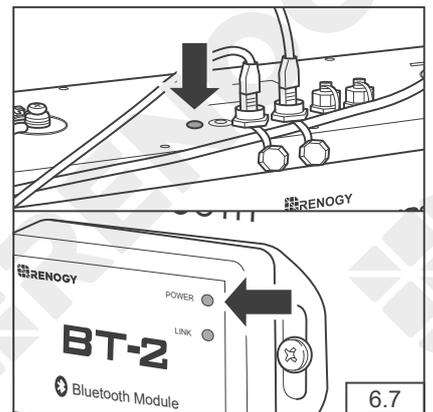
6.5

Open the Back Door Locks with the included Keys and rotate the wing knobs counterclockwise by 90° to open the back door.



6.6

Press and hold the power button on the top of the upper battery for 3-5 seconds to turn off the batteries.



6.7

The indicators of the battery and the Bluetooth module go out.



● Please close the front door and back door, rotate the wing knobs clockwise by 90°, and lock the



## Turning Off

Front Door Lock and Back Door Lock after turning LYCAN off.

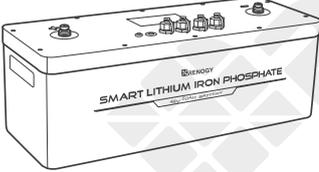
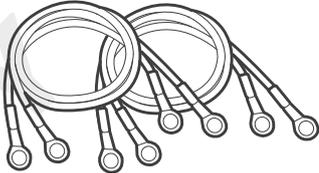
- If LYCAN is not going to be used for a long time, and neither solar nor AC power are available to keep LYCAN topped off, please turn LYCAN off to prevent the batteries from overdischarging.



# Capacity Expansion

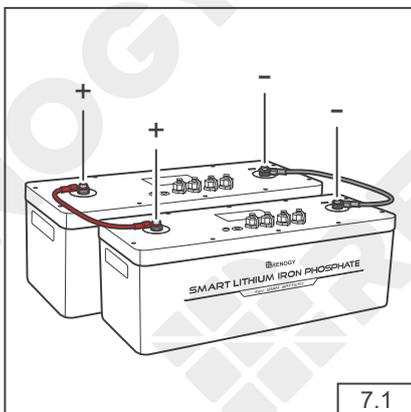
If necessary, additional batteries can be connected to the Anderson Connector of LYCAN for capacity expansion.

## Required Accessories

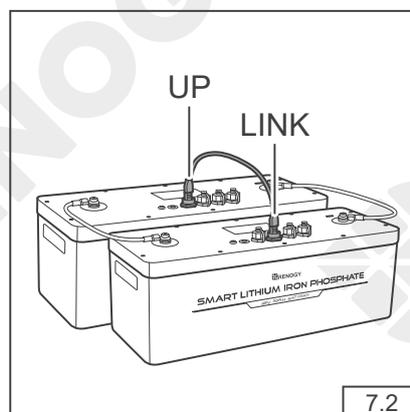
|   |   |
|---|---|
| Renogy 48V 50Ah Smart Lithium Iron Phosphate Battery                              | Gray Anderson 120 Connector to Ring Terminal Adapter Cable                          |
|  |   |
| Battery Cables  | Ethernet Cables   |
|  |  |



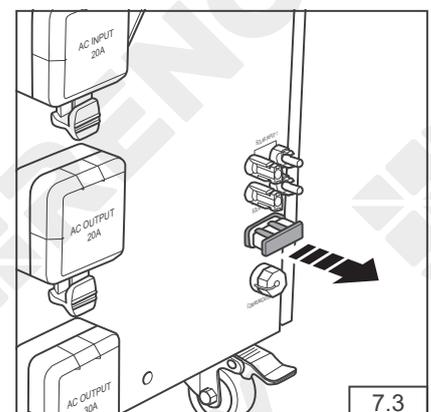
- ONLY connect Renogy 48V 50Ah Smart Lithium Iron Phosphate Batteries to LYCAN for capacity expansion. Connecting other brands or models of batteries to LYCAN can damage LYCAN and/or the Batteries.
- Please read the user manual of 48V 50Ah Smart Lithium Iron Phosphate Battery at renogy.com carefully before connecting additional Batteries to LYCAN.
- DO NOT connect more than 6 Batteries to LYCAN.
- The Anderson Connectors are color coded. DO NOT mate the Anderson Connectors with different colors together.



Connect the Batteries (sold separately) in parallel with Battery Cables (sold separately).



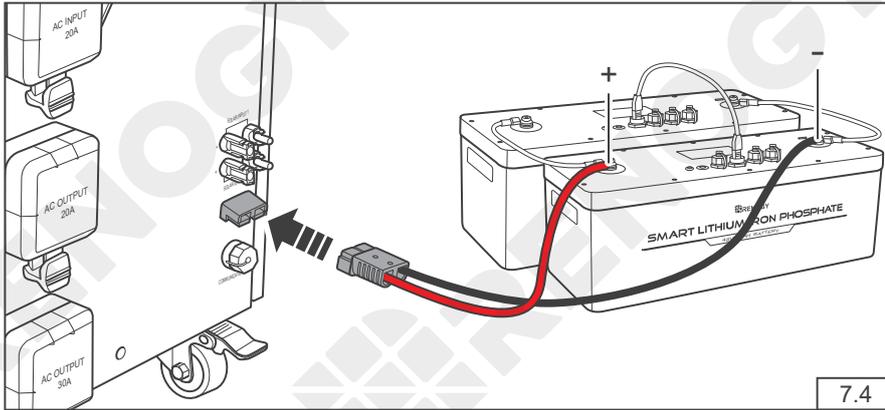
Connect the UP communication ports of the latter Batteries to the LINK communication ports of the former ones with Ethernet Cables (not included).



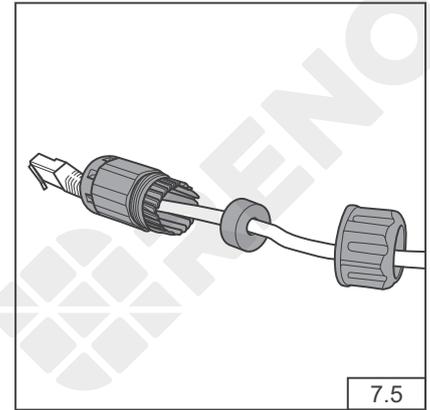
Remove the Dust Cover of the Anderson Connector.



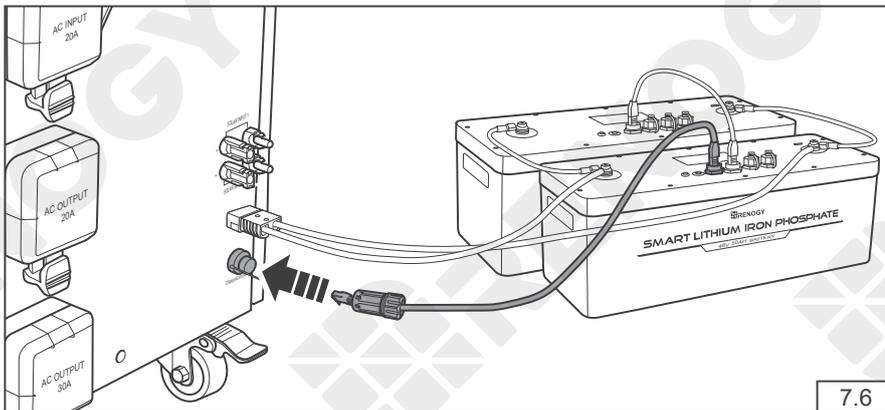
# Capacity Expansion



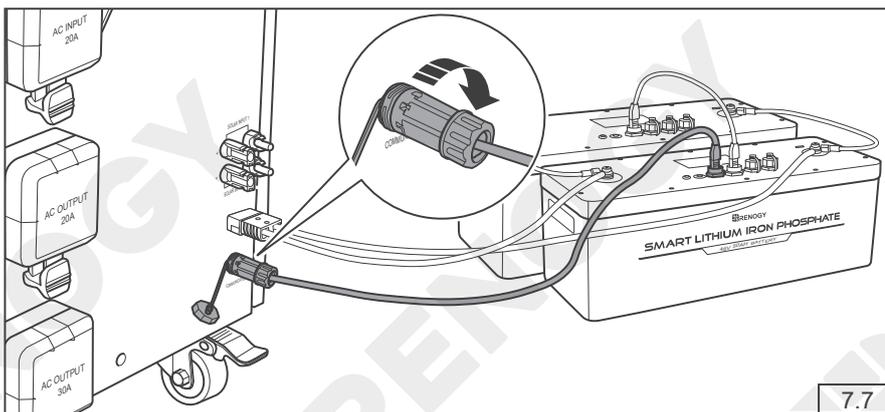
Connect the positive and negative terminals of the first Battery to LYCAN with the Adapter Cable (not included).



Install the included RJ45 Plug Waterproof Housing on one end of an Ethernet Cable.



Connect the UP communication port of the first Battery to the RJ45 Jack of LYCAN with the Ethernet Cable.



Screw the RJ45 Plug Waterproof Housing into the Waterproof Housing of the RJ45 Jack.



- Please use 4AWG or larger Adapter Cable and Battery Cables.
- Please verify the polarity before connecting the Batteries in parallel and to LYCAN. Reversed polarity can damage the Batteries and/or LYCAN.
- Please use CAT5 or above Ethernet Cables.
- Please repeat the Bluetooth Pairing procedures to pair the newly connected Batteries with the DC Home app.



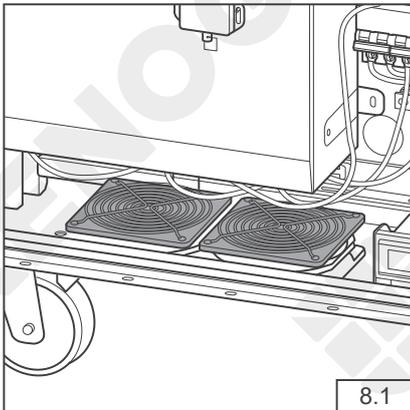
# Maintenance

Fan Operation

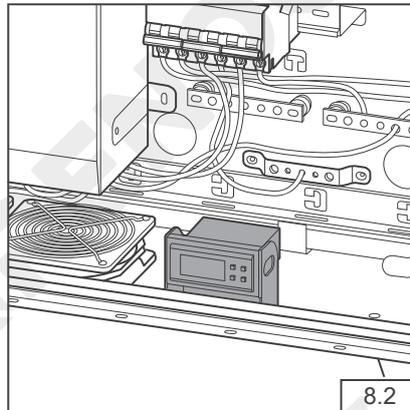
Inspection

Storage

## Fan Operation



The fans are located at the bottom of LYCAN. They start operating when the temperature of the air vent rises above 131°F (55°C) and stop operating when the temperature of the air vent drops below 113°F (45°C).



The thermostat is located next to the fan and displays the temperature of the air vent.



- Clean the fans regularly. The accumulation of debris and dust can block the fans and affect the heat dissipation of LYCAN.
- The parameters of thermostat have been preset. No additional parameter setting is required.
- DO NOT modify the parameters of thermostat. Modifying the parameters can lead to irreversible damage to LYCAN and voids the warranty.

## Inspection

Please perform regular inspections by following the steps below.

- Examine the external appearance of LYCAN. The enclosure and connector contacts of LYCAN shall be clean, dry, and free of corrosion.
- Check the external cables and connections of LYCAN. Replace any damaged cables and tighten any loose connections.



- In some applications, corrosion can form around the contacts internal to the Anderson Connector. The corrosion can cause loosening of spring retention force and increase of mated contact resistance, leading to premature failure of the connection. Please apply dielectric grease onto each connector contact at regular intervals. Dielectric grease can repel moisture and protect the connector contact against corrosion.



# Maintenance

Fan Operation

Inspection

Storage

## Storage

Please follow the tips below to ensure that LYCAN emerges from storage in a good condition.

- Charge LYCAN to 30%-50% and turn it off before storage.
- Make sure that the front door and back door are locked, and the Viewing Window is closed.
- Store the battery in an open, well ventilated, dry, clean area with temperatures between 32°F~104°F (0°C~40°C).
- DO NOT expose LYCAN to extreme temperatures.
- Engage the Pedal Brakes on Swivel Casters to prevent LYCAN from moving.
- Charge LYCAN at least once every 3 months to prevent it from overdischarging.
- Fully charge LYCAN when it is taken out of storage.
- Keep the keys properly. If the keys are lost, please visit [renogy.com](http://renogy.com) for help.



## Renogy Empowered

Renogy aims to empower people around the world through education and distribution of DIY-friendly renewable energy solutions.

We intend to be a driving force for sustainable living and energy independence.

In support of this effort, our range of solar products makes it possible for you to minimize your carbon footprint by reducing the need for grid power.



## Live Sustainably with Renogy

Did you know? In a given month, a 1KW solar energy system will...



Save 170 pounds of coal from being burned



Save 300 pounds of CO<sub>2</sub> from being released into the atmosphere



Save 105 gallons of water from being consumed



## Renogy Power **PLUS**

Renogy Power Plus allows you to stay in the loop with upcoming solar energy innovations, share your experiences with your solar energy journey, and connect with like-minded people who are changing the world in the Renogy Power Plus community.

Also, follow us on Social Media @RenogySolar.

Visit [renogy.com](https://renogy.com) to find the User Manual or get more support via "Contact Us".  
Renogy reserves the right to change the contents of this manual without notice.

Your voice matters! Scan the QR code to submit your feedback on the product.



Join the Renogy Power Plus Community by downloading the DC Home App. Find your e-warranty here, and more.

