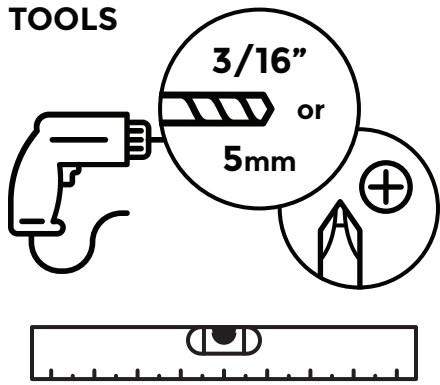
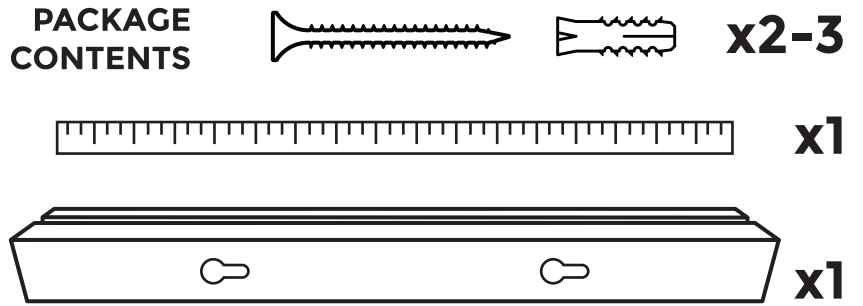


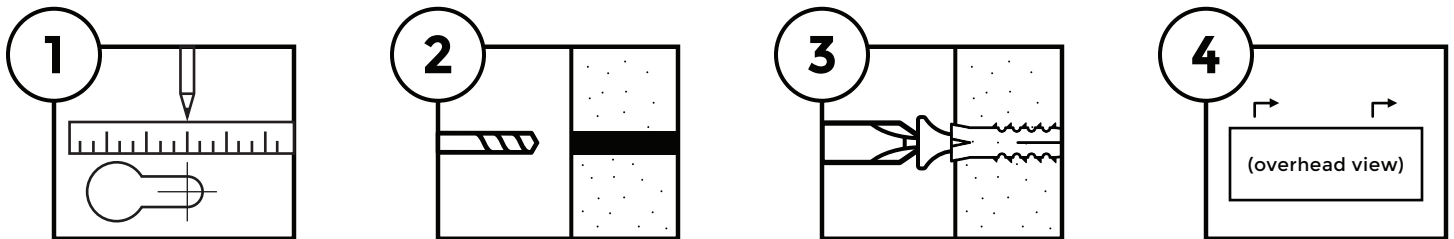
TOOLS



PACKAGE CONTENTS

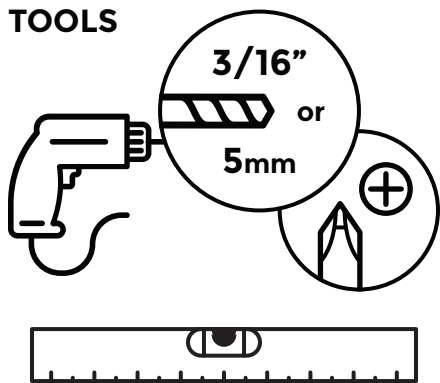


TO INSTALL, Tape ruler to the wall, making sure to be level. Place shelf against ruler where you would like it mounted, marking the center of small end of slot (16" apart). Drill through the wall at each point and insert the anchors before installing each screw about 1/4" out from the surface.

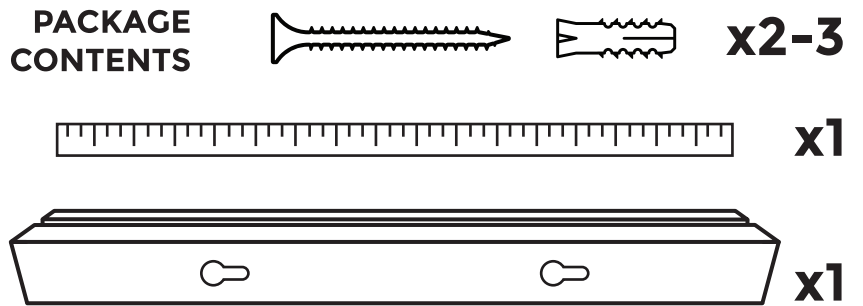


QUESTIONS? hello@wearewellmade.com | Designed & manufactured in Chicago, USA | Inspected by hand for quality

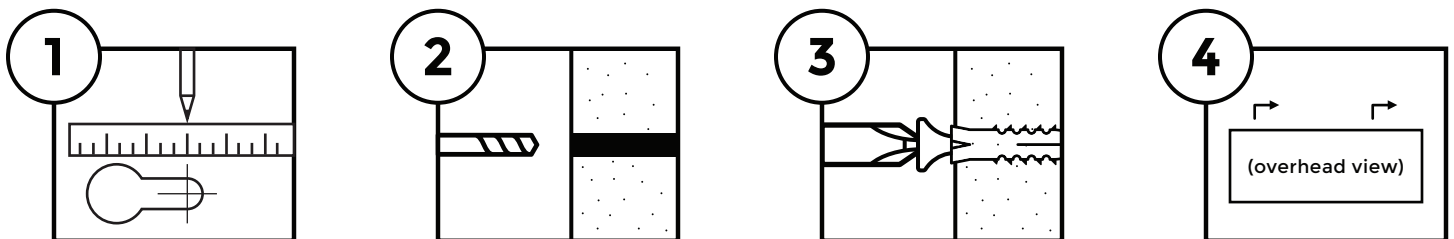
TOOLS



PACKAGE CONTENTS



TO INSTALL, Tape ruler to the wall, making sure to be level. Place shelf against ruler where you would like it mounted, marking the center of small end of slot (16" apart). Drill through the wall at each point and insert the anchors before installing each screw about 1/4" out from the surface.



QUESTIONS? hello@wearewellmade.com | Designed & manufactured in Chicago, USA | Inspected by hand for quality