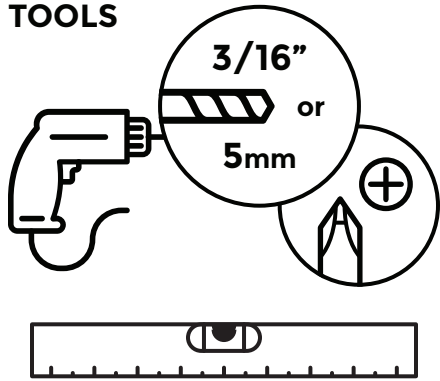


TOOLS



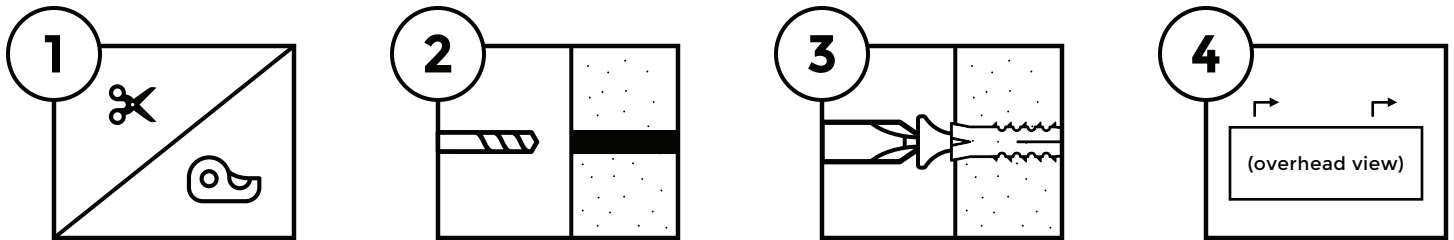
HARDWARE



TO INSTALL, Cut along the dotted line below and tape guide where you want to mount your key rack, making sure to be level. Drill through crosshairs, insert your anchors and install your screws about a 1/4" above the surface.

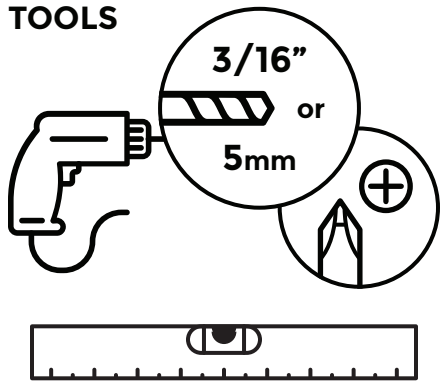


⊗ ← DRILL THROUGH CROSS HAIRS USING AN 3/16", OR 5mm, DRILL BIT → ⊗



QUESTIONS? hello@wearewellmade.com | Designed & manufactured in Chicago, USA | Inspected by hand for quality

TOOLS



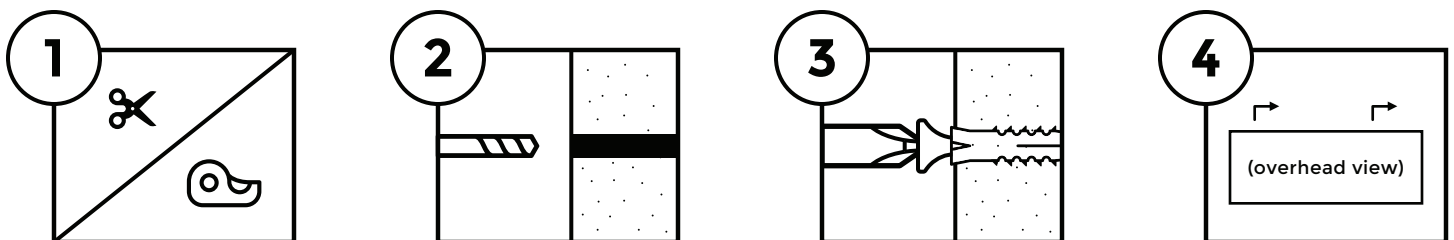
HARDWARE



TO INSTALL, Cut along the dotted line below and tape guide where you want to mount your key rack, making sure to be level. Drill through crosshairs, insert your anchors and install your screws about a 1/4" above the surface.



⊗ ← DRILL THROUGH CROSS HAIRS USING AN 3/16", OR 5mm, DRILL BIT → ⊗



QUESTIONS? hello@wearewellmade.com | Designed & manufactured in Chicago, USA | Inspected by hand for quality