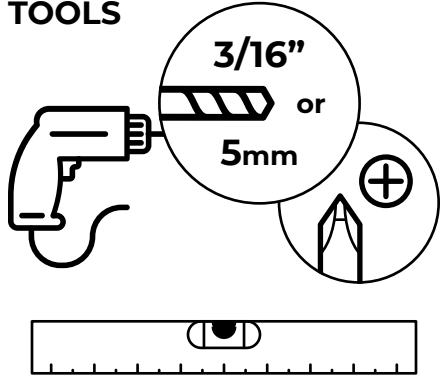
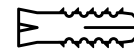
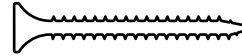


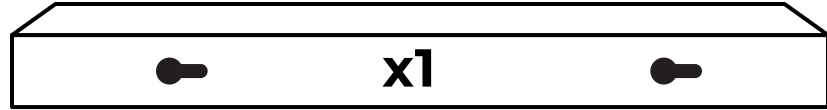
TOOLS



HARDWARE



x2



TO INSTALL, Cut along dotted line below and tape guide where you want your Micro Ledge, making sure to be level. Drill through crosshairs, insert anchors and install screws – **fine-tune screw depth for a snug fit.**

DRILL THROUGH CROSS HAIRS USING AN 3/16", OR 5mm, DRILL BIT

