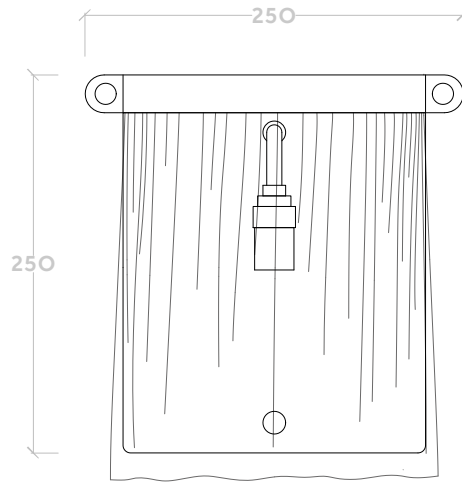


BEATA HEUMAN

PAPER BAG SCONCE



PROJECTION:105MM

CARE AND ADVICE:

- The metal elements should only be cleaned with a soft, dry cloth. Do not use polishes or abrasives. Switch off power to the fitting before cleaning.
- The back plate is made of polished unlacquered brass and will develop a natural and beautiful patina over time.
- The shade can be lightly dusted with a dry cloth or duster. No sprays or chemicals should be used. If the shade requires more comprehensive cleaning, it is removable but please consult a professional upholstery or drapery cleaner before cleaning.
- The shade is made from our 100% linen sheer fabric and so can require a couple of days once installed for any creasing that may have occurred in transit to drop out of the fabric. They are designed to have a relaxed look and the linen skirt can be repositioned to personal taste.

GENERAL INFO:

- Please open and inspect your Products within 24 hours of delivery. If you believe a Product was delivered damaged or faulty, you should inform us as soon as possible, preferably in writing, giving your name, address and order reference. If you fail to promptly inform us of any issues with your order this may result in you losing any remedy.
- All intellectual property rights in designs are owned by Beata Heuman Limited.

PRODUCT:	DESCRIPTION:	REVISION:
Category: Lighting Product: Paper Bag Sconce SKU (UK/EU): LGTPBGSCNEU SKU (US/UL): LGTPBGSCNUL	- Painted brass, unlacquered polished brass, steel & aluminium wall light with linen fabric shade. - EU: 230V ac 50Hz, E14 fitting, dimmable, 10w max - LED, IP 20. - US: Made with UL listed components, 120v A 60Hz, E12 fitting, dimmable, 10w max - LED, IP 20. - Warm white LED Filament pygmy bulb (max 2.8w) recommended.	Rev D: 27.02.24

188

HAMMERSMITH ROAD, LONDON W6 7DJ +44(0)208 741 0102 INFO@BEATAHEUMAN.COM

BEATA HEUMAN LTD. REGISTERED IN THE UK. COMPANY NO: 08772279 VAT: 233 7034 32