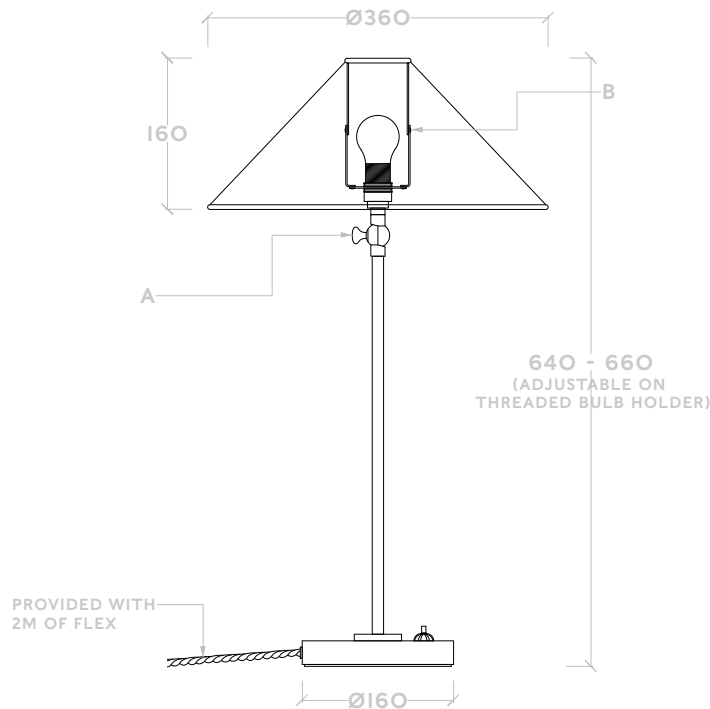


# BEATA HEUMAN

## DIREKTÖRS LAMPA



### USER INSTRUCTIONS:

- The Direktörs Lampa is designed with a simple on/off function and is controlled with a button on its base. It is compatible with dimmers if plugged into a socket connected to the mains lighting circuit and used with a dimmable bulb.
- This articulated table light can be adjusted in two locations:
  - Articulation point 1 (A): There is a knuckle joint sitting just under the bulb holder which can be adjusted +/- 90° from its vertical position in a forwards and backwards movement. This adjustment is made by loosening the thumb turn at the knuckle, moving to the desired position and then tightening it again to secure it in place.
  - Articulation point 2 (B): The shade has been made with a gimble fitting. This allows the shade to be adjusted +/- 90° from its vertical position in a forwards and backwards movement.
  - These two articulation points allow for a multitude of configurations. Please see our video for inspiration.

### CARE ADVICE:

- The metal elements should only be cleaned with a soft, dry cloth. Do not use polishes or abrasives. Switch off power to the fitting before cleaning.
- The aged brass elements are unlacquered and so will continue to age beautifully over time.
- The shade can be lightly dusted with a dry cloth or duster. No sprays or chemicals should be used.

### BOX CONTENTS:

- 1 x Hemp shade
- 1 x Metal lamp base with fabric flex and plug
- NB. Both elements will be packed into one box.

### GENERAL INFO:

- Please open and inspect your Products within 24 hours of delivery. If you believe a Product was delivered damaged or faulty, you should inform us as soon as possible, preferably in writing, giving your name, address and order reference. If you fail to promptly inform us of any issues with your order this may result in you losing any remedy.
- All intellectual property rights in designs are owned by Beata Heuman Limited.

PRODUCT:	DESCRIPTION & DETAILS:	REVISION:
Category: Lighting Product: Direktörs Lampa SKU (UK): LGTDKLUK SKU (EU): LGTDKLEU SKU (US/UL): LGTDKLUL	<ul style="list-style-type: none"> <li>- Lamp Base Materials: Powder coated brass and aluminium, steel, unlacquered aged brass, twisted fabric flex &amp; felt base.</li> <li>- Lamp Shade Materials: Laminated hemp shade with powdercoated fitting.</li> <li>- UK/EU: 230V ac 50Hz, E14 fitting, 10w max LED.</li> <li>- US: Made with UL listed components, 120v A 60Hz, E12 fitting, 10w max LED.</li> <li>- Recommended Bulb: Warm white LED golf ball or pygmy bulb, opal glass or clear filament bulb.</li> </ul>	First Issue: 21.02.24

188

HAMMERSMITH ROAD, LONDON W6 7DJ +44(0)208 741 0102 INFO@BEATAHEUMAN.COM

BEATA HEUMAN LTD. REGISTERED IN THE UK. COMPANY NO: 08772279 VAT: 233 7034 32