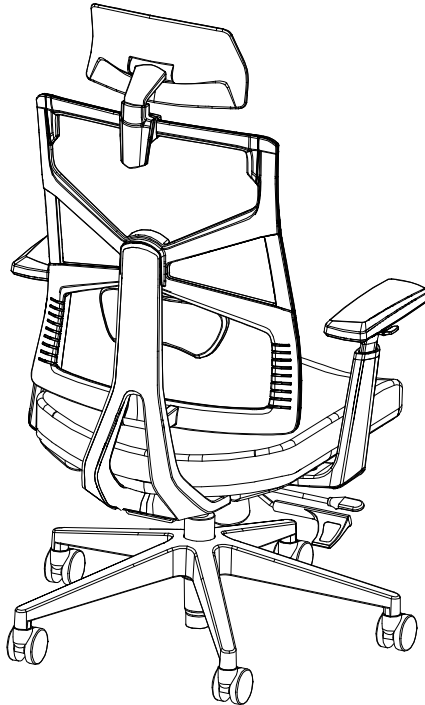


SUNAOFE

Assembly Manual

Chair

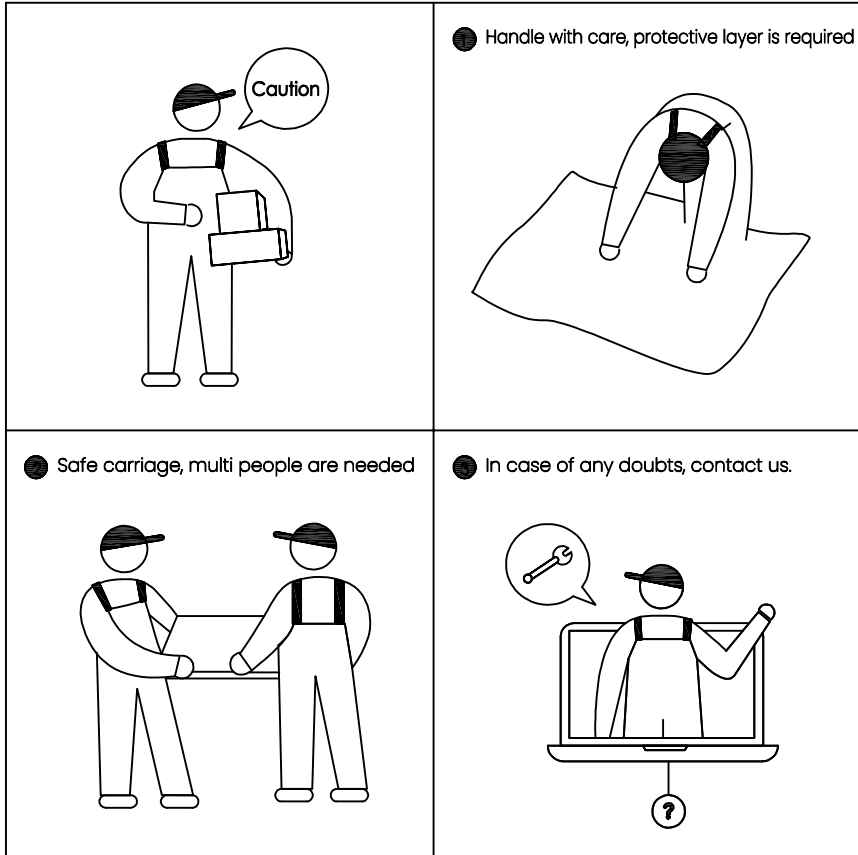
CAM0465SW



Please read this manual carefully before any operation and keep it properly for future use.

Customer service: info@sunaofe.com

Installation Notes

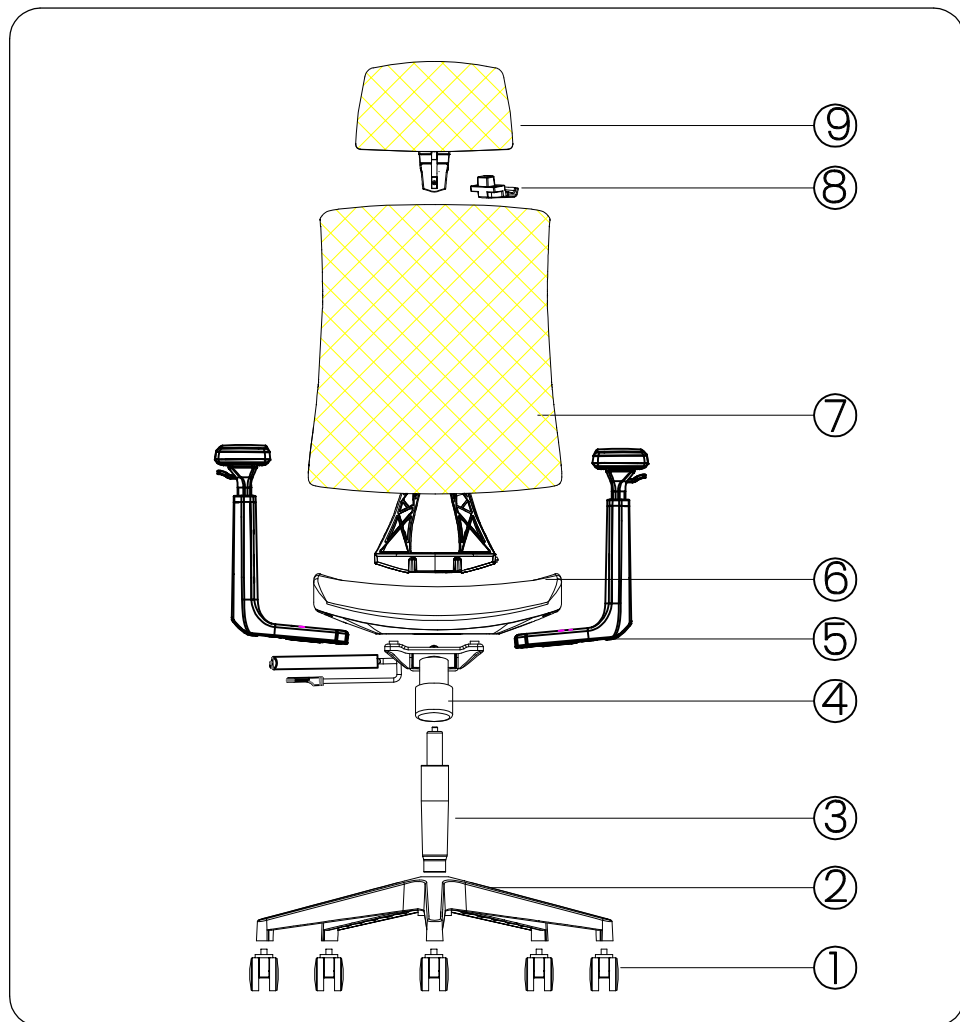


CONTACT US

If you have any problems or concerns about your purchase, please get in touch with our customer service(info@sunaofe.com) as soon as possible and we will do everything we can to help.

You will be highly appreciated if you can put your order number in the email title so that we can deal with it efficiently.

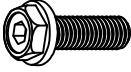





Exploded View



No.	Component	PCS
1	Casters	5
2	5-Star base	1
3	Gas lift	1
4	Mechanism	1
5	Armrest	2

No.	Component	PCS
6	Seat pan	1
7	Backrest	1
8	Headrest base	1
9	Headrest	1

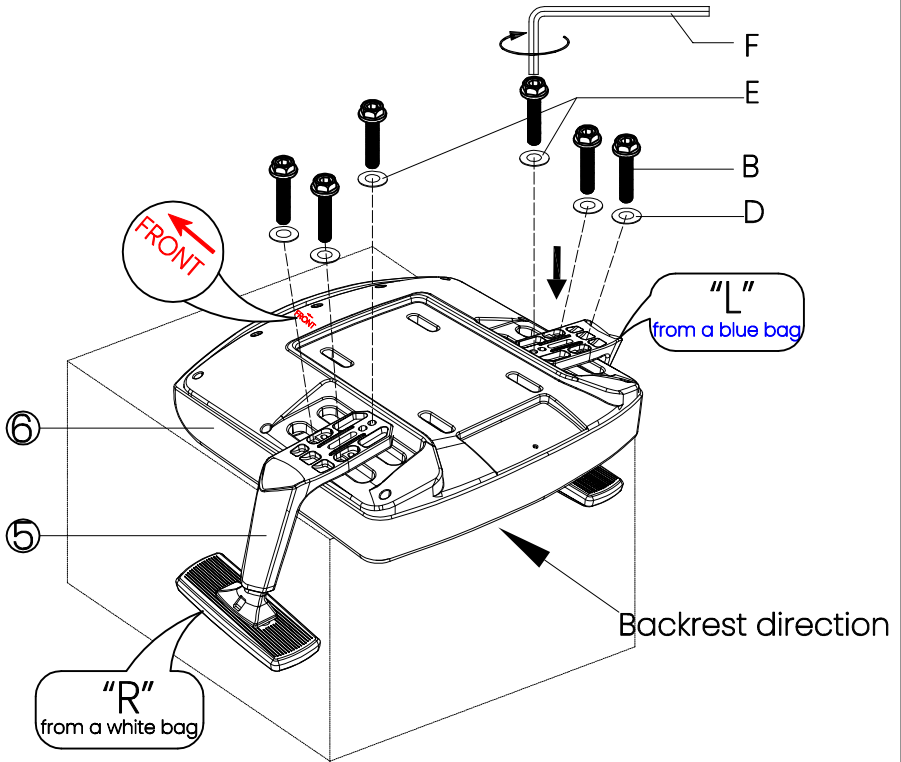
Components list

A			B			C		
								
Bolt	M8x25	3+1	Bolt	M6x45	6+1	Bolt	M6x35	4+1
D			E			F		
								
Washers	d=6 D=16 H=1.5	4	Big Washers	d=8 D=20 H=1.2	2	Allen wrench	5#	1

Assembly Instruction

STEP 1

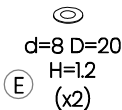
Place the armrest on the seat and secure it with M6*45 screws and two big washers and four small washers.



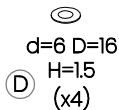
⑥ Seat pan
(x1)



⑤ Armrest
(x2)



⑦ E d=8 D=20
H=1.2
(x2)



⑧ D d=6 D=16
H=1.5
(x4)



⑨ B M6*45
(x6)

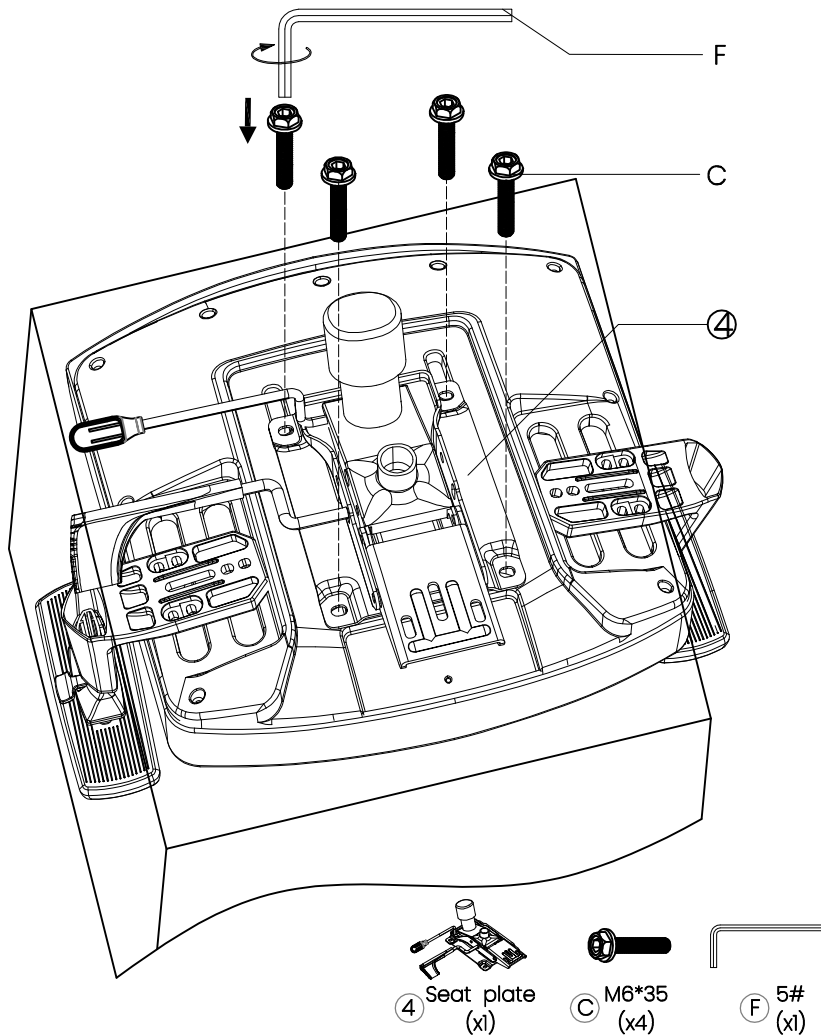


⑩ F 5#
(x1)

Assembly Instruction

STEP 2

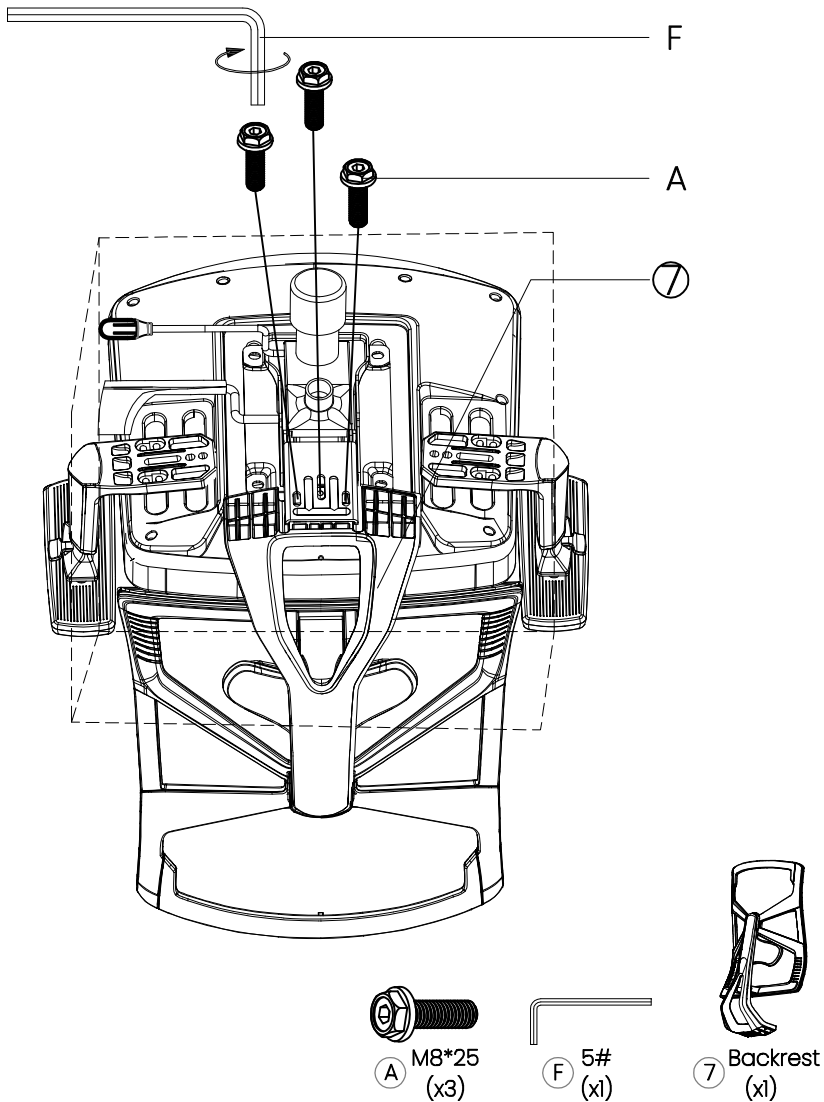
Place the adjustable mechanism on the seat pan, and fix it with four M6*35 screws.



Assembly Instruction

STEP 3

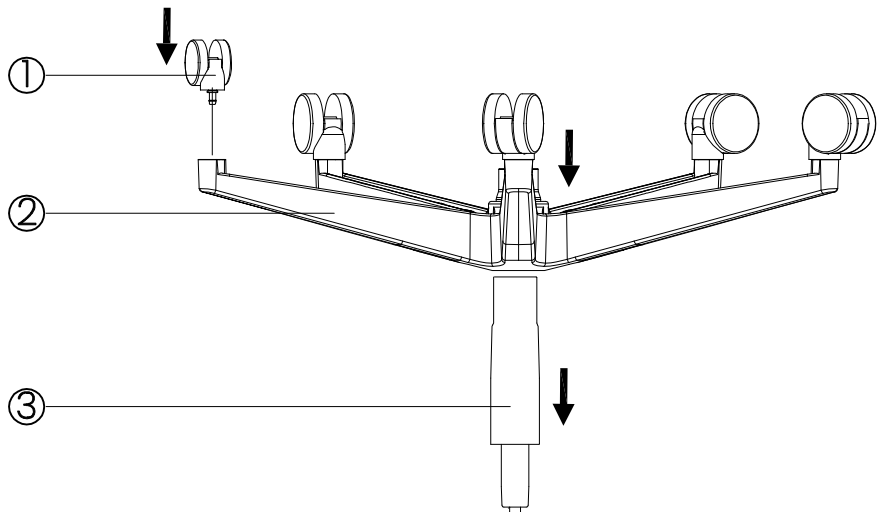
Fix the backrest to the seat with three M8*25 screws.



Assembly Instruction

STEP 4

Insert five casters into the base. Then insert the gas lift into the central hole. Connect the installed chair body with the base.



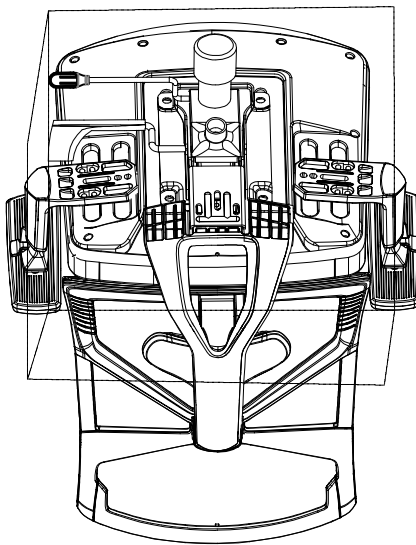
③ Gas lift
(x1)



② 5-Star base
(x1)



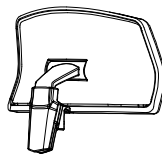
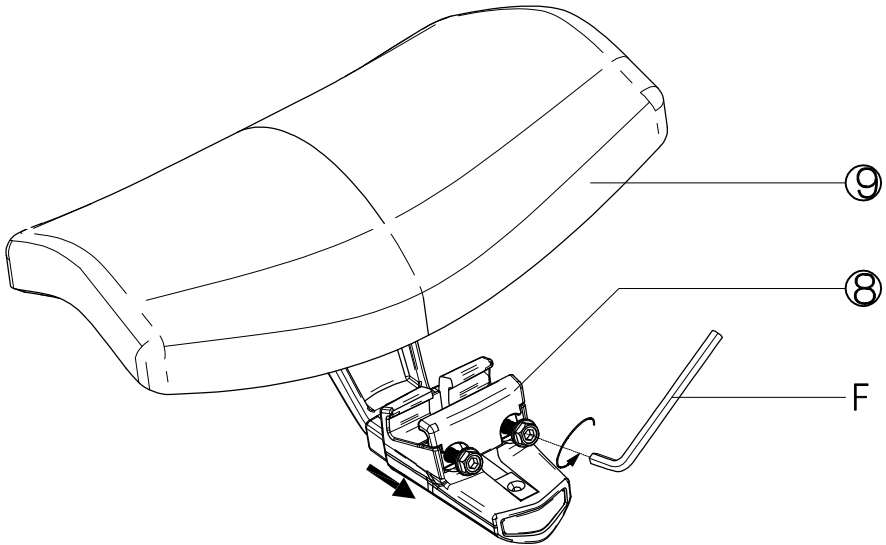
① Casters
(x5)



Assembly Instruction

STEP 5

Unscrew the two M6*16 screws from the headrest.



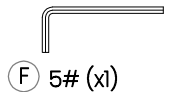
Headrest
(x1)



Headrest
base
(x1)



M6*16
(x2)

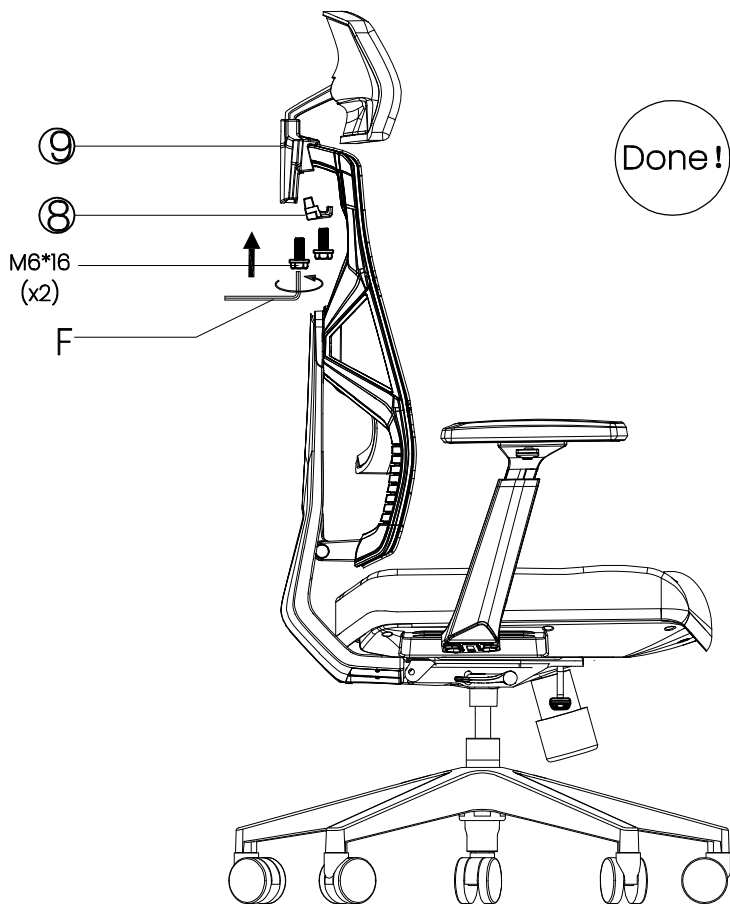


F 5# (x1)


Assembly Instruction


STEP 6

Place the headrest atop the backrest, then adjust it into the proper place and fix it with two M6*16 screws.




M6*16
(x2)


F 5# (x1)

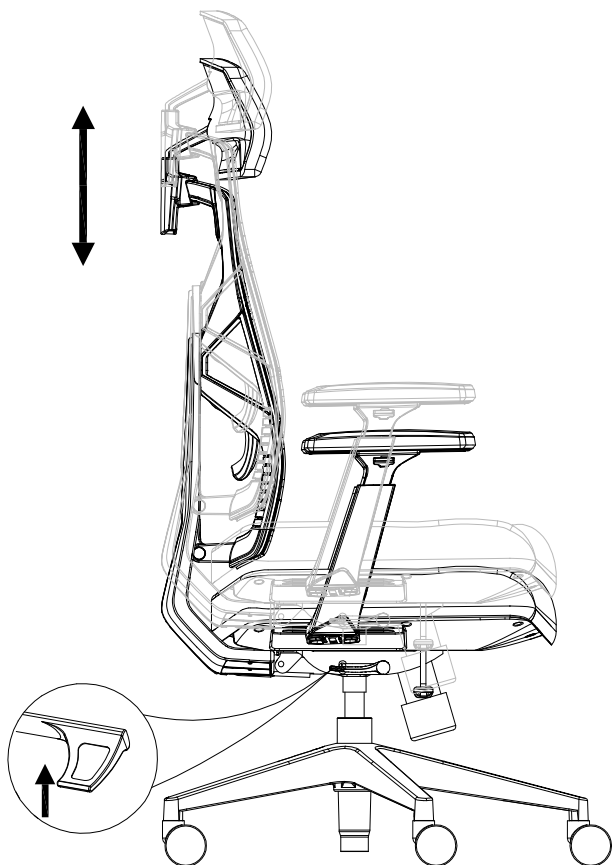

8 Headrest base
(x1)


9 Headrest
(x1)

Function-Seat Height Adjustment

1

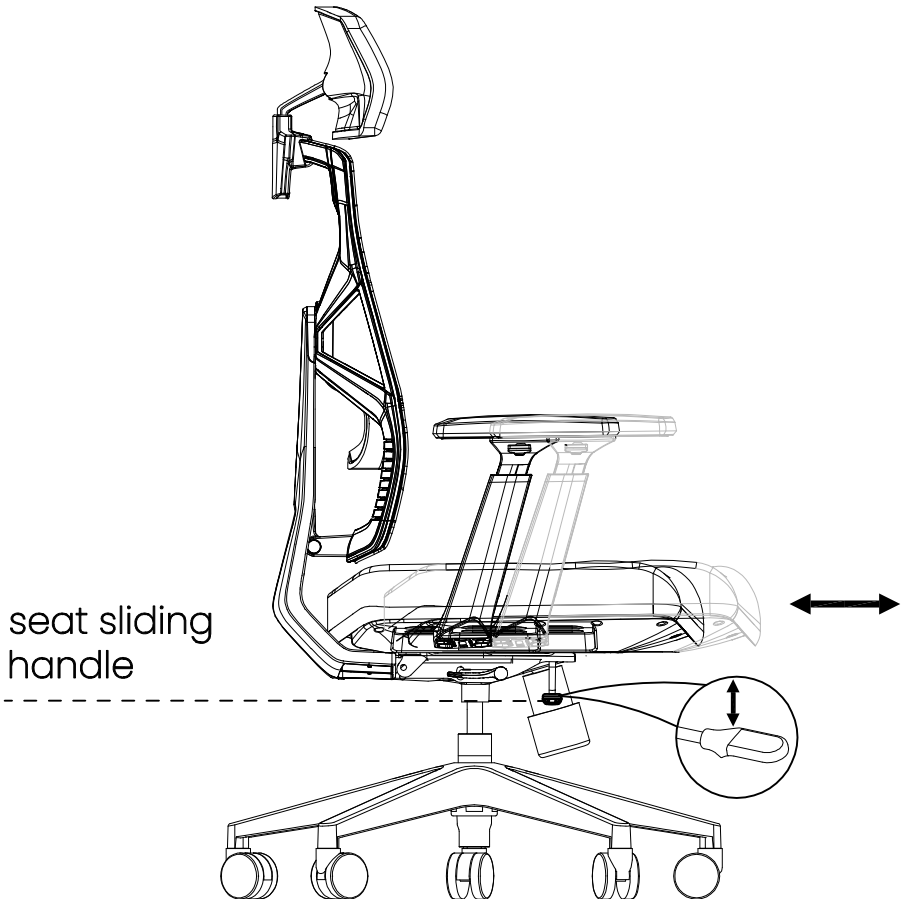
While seated, pull the lever up to lower the seat; Remove your body weight off and then pull the lever up to raise the seat.



Function-Seat Depth Adjustment

2

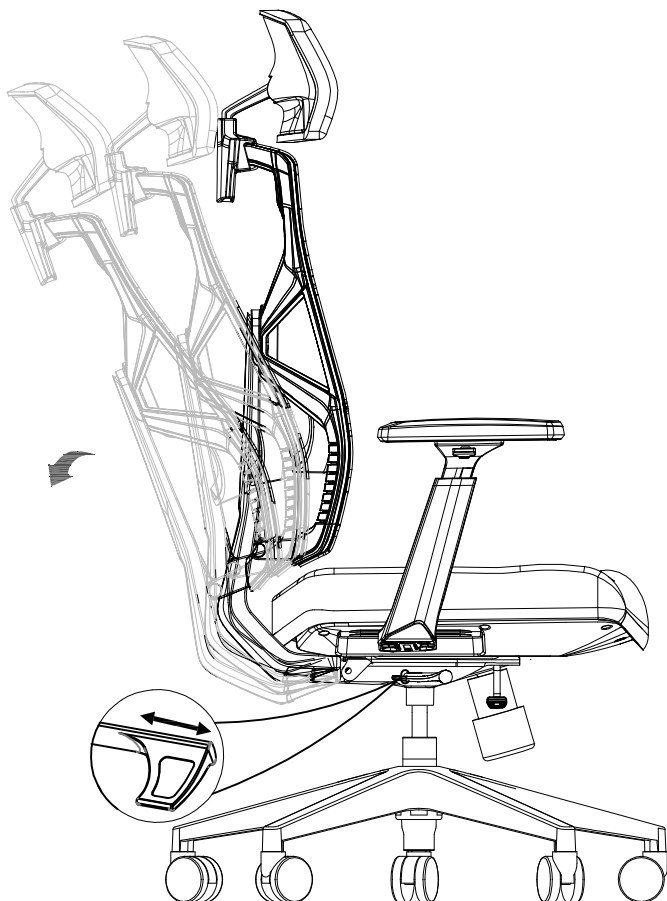
While seated, pull the seat sliding handle (under the right side of the seat, the front one) up and don't release it until you slide the seat in or out to have the proper depth.



Function-Backrest Tilt Adjustment

3

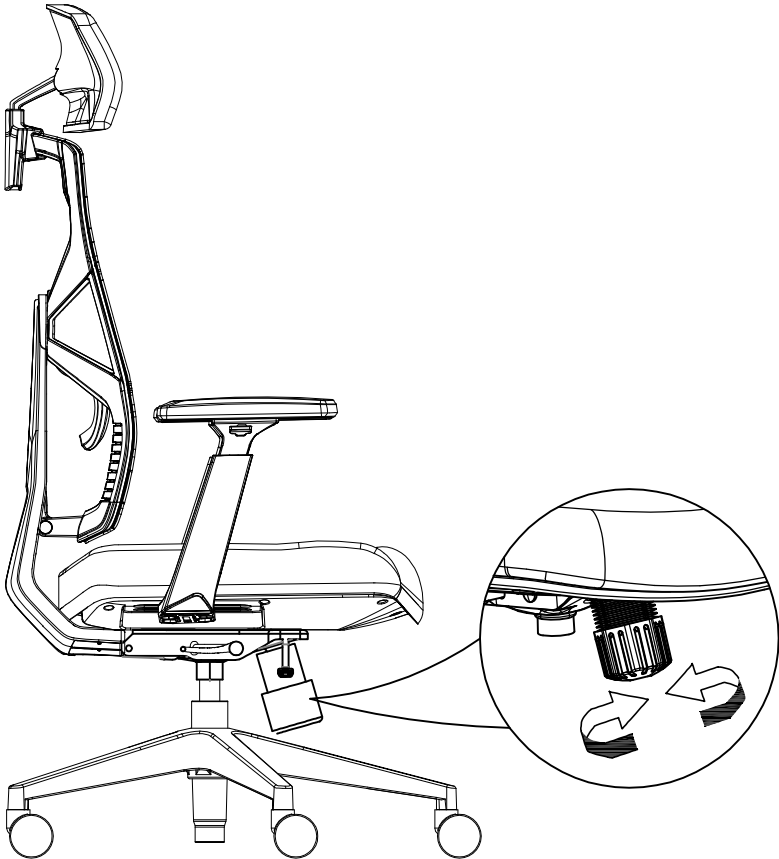
While seated, pull the lever out and then tilt the backrest. There are 3 positions to be locked by pushing the lever in.



Function-Tilt Tension Adjustment

4

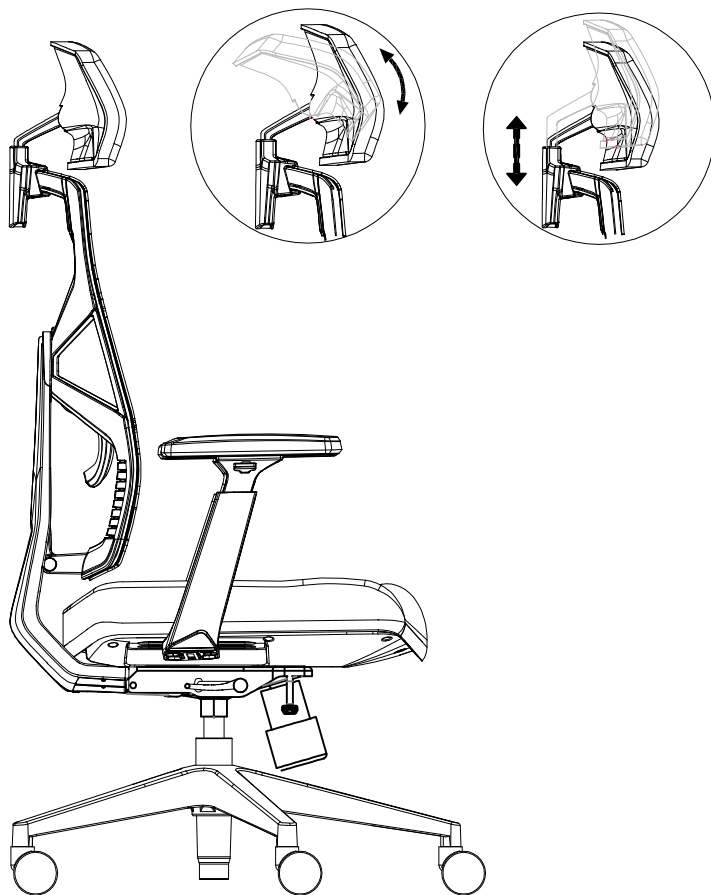
For stronger tilt tension, grab the below knob and rotate it clockwise; for weaker tension, grab the knob and rotate it counter-clockwise.



Function-Headrest Adjustment

5

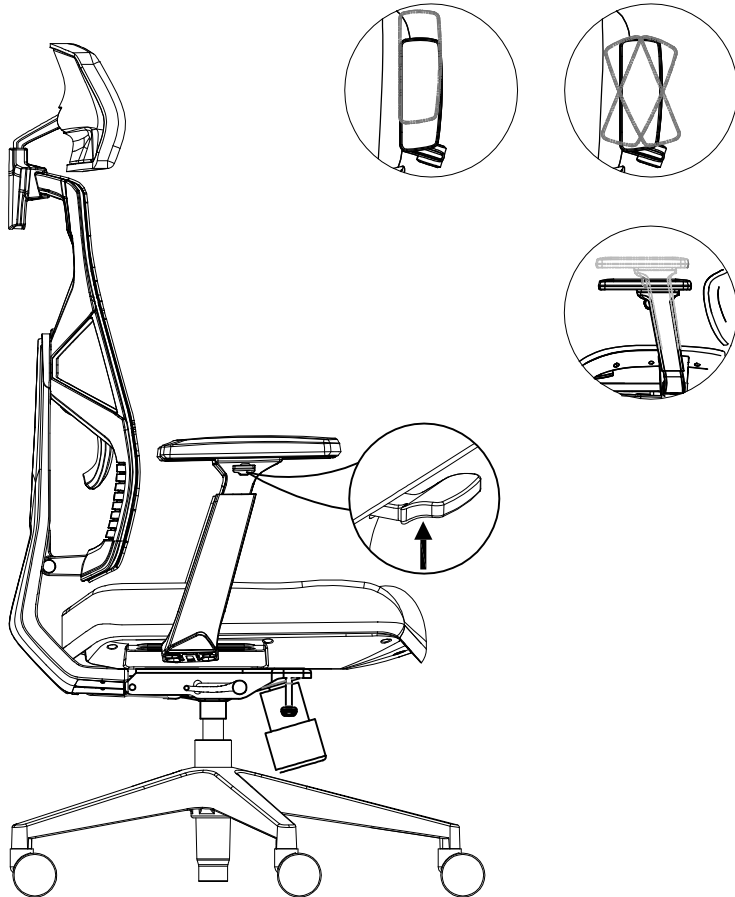
Grab the headrest using both hands, rotate or slide it up and down to fix it at the angle where you feel comfortable.



Function-3D Armrest Adjustment

6

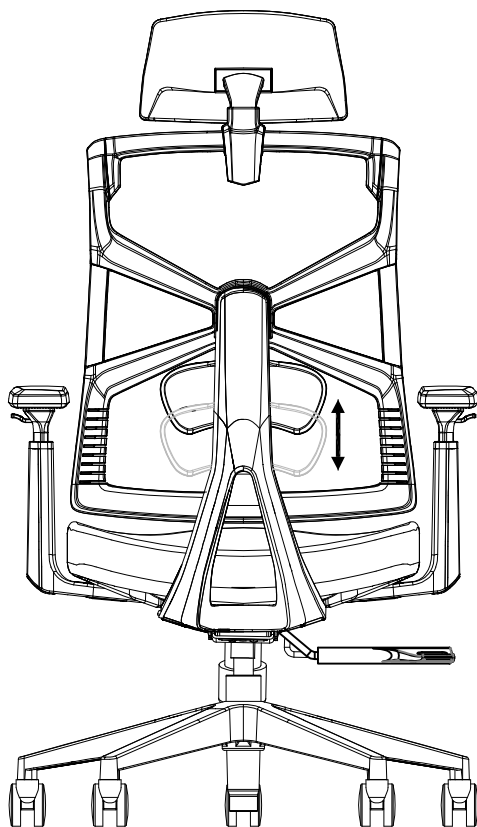
Armrest Height Adjustment: Push the tab below the armrest pads and adjust the height.
Armrest Pivot Adjustment: Grab armrest pads and rotate it to the direction you want.
Armrest Sliding Adjustment: Grab armrest pads and move forward or backward to get the position you want.



Function-lumbar board Adjustment

7

Adjust lumbar board position up and down for best back support.



Warning:

- Please keep the product away from children or pet while assembly.
- Do not stand on it and use it as a ladder.
- Prior to use, please check to see if there's any loosening screw or part.
- Make sure that each bolt and part is correctly installed and securely fastened.

Care and Maintenance

- Use a soft clean cloth that will not scratch the surface when dusting.
- There's no need to use furniture polish. If you have to, test it first in an inconspicuous area.
- Using solvents of any kind on your furniture may damage the finish.
- Never use water to clean your furniture as it may cause damage to the finish.
- Liquid spills should be removed immediately.
- Gently blot the spill with a soft clean cloth to avoid rubbing.

Further advice about the furniture care

- It is best to keep your furniture in a climate-controlled environment.
- Extreme temperatures and humidity changes can cause fading, warping, shrinking.
- We recommend to keep furniture from sunlight exposure to avoid possible surface damage.
- Proper maintenance and cleaning at home will extend the life of your purchase.
- Following these important and helpful tips will help retain your furniture's performance even when it ages.
- Periodically (every 90 days) make sure the screws are fully tightened.

Weight Capacity:300LBS

SUNAOFE

Empower Your Life with Sunaofe

www.sunaofe.com