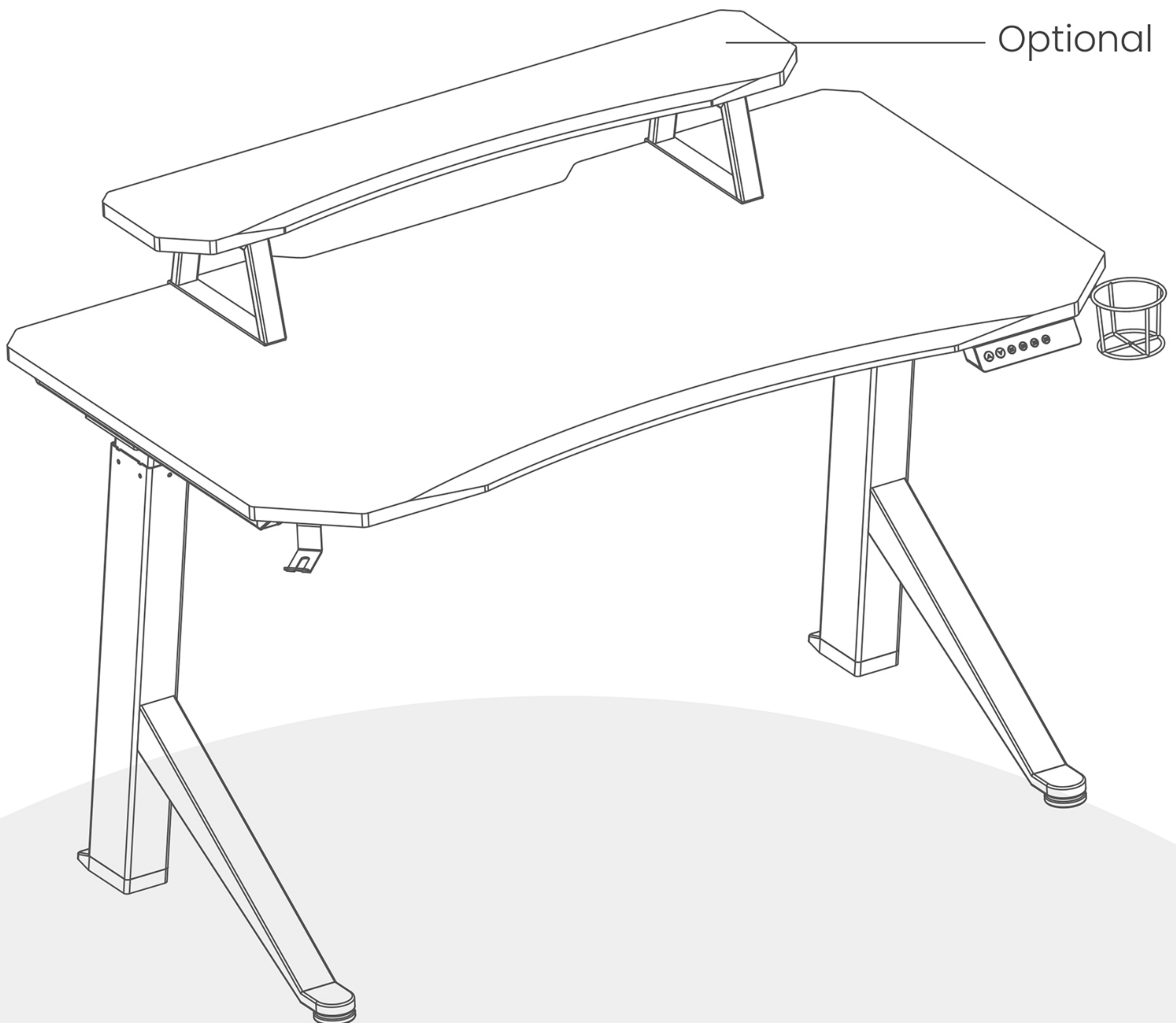


SUNAOFE

Assembly Manual

Challenger



Please read this manual carefully before any operation and keep it properly for future use.

Customer Service : info@sunaofe.com

Warnings



Keep children and pets away from the product during table lifting operation. Unplug the product in lightning weather and when it will be unused for a long time.



Keep proper distance between the table and the wall.



Keep obstacles away in the running process of the table, and there should be no obstacles higher than 500mm under the table.



Better keep environment temperature 0-40°C, the product is far away from corrosive gases, liquids and dusty objects.



To avoid malfunction and harm to human body, it is strictly prohibited to disassemble the product without instruction.



Please read the operation instructions carefully before using the product. We do not assume any responsibility for the damage of the product or human injury caused by abnormal operation.



Reset manually after first use or power off.

CONTACT US

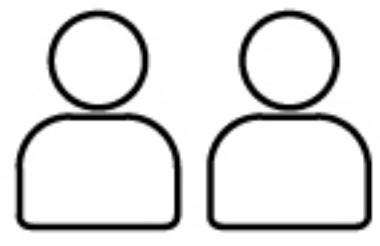
If you have any problems or concerns about your purchase, please get in touch with our customer service (info@sunaofe.com) as soon as possible and we will do everything we can to help.

You will be highly appreciated if you can put your order number in the email title so that we can deal with it efficiently.

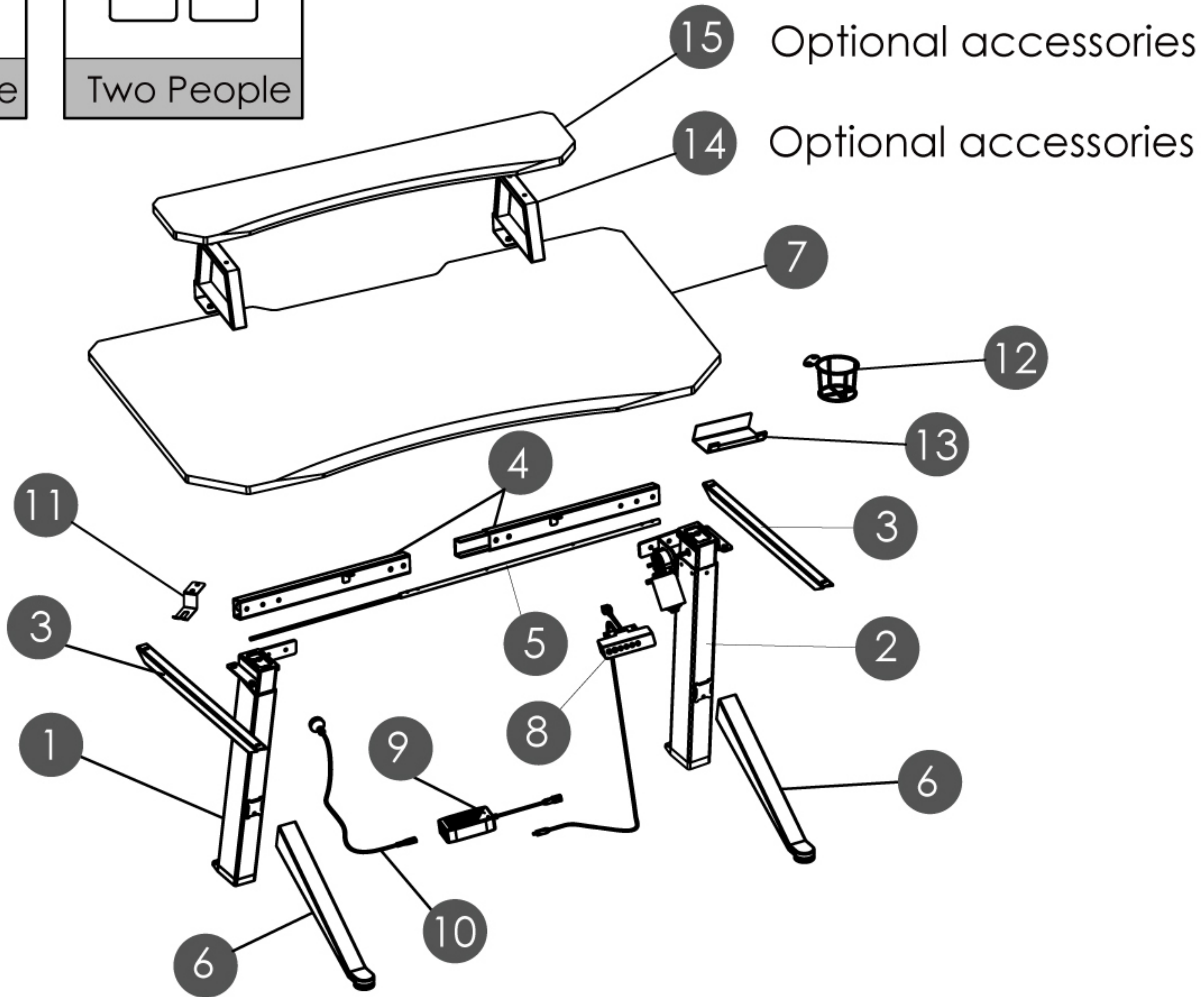
Components List

30min

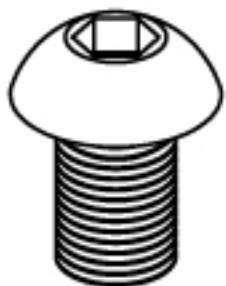

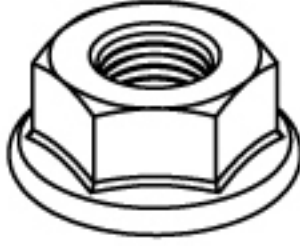
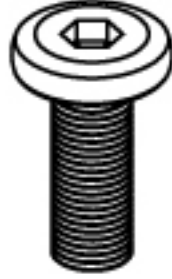

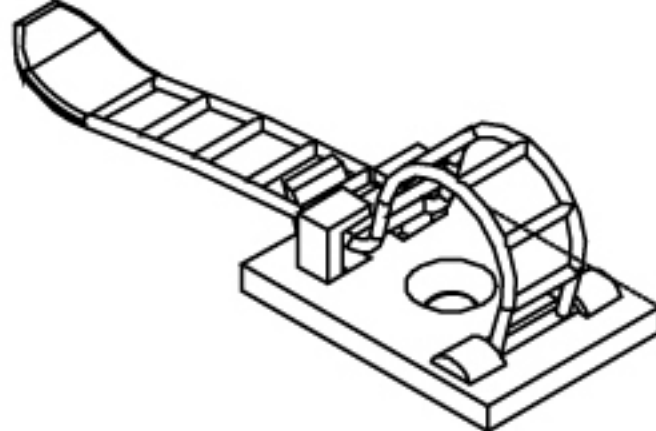
Assemble Time



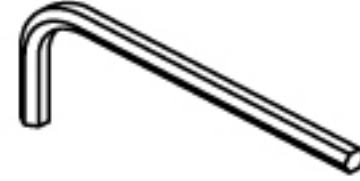



Two People



HARDWARE INCLUDED

A QTY:10+1	B QTY:2+1	C QTY:2+1
 M8*10	 M8*20	 M8
D QTY:10+1	E QTY:2+1	F QTY:4
 M6*12	 ST4.2*16	

TOOLS INCLUDED

H QTY:1	I QTY:1
 M5	 M4
J QTY:1	K QTY:1
	 M2.5

OPTIONAL

QTY:4+1
 M6*25

Components List

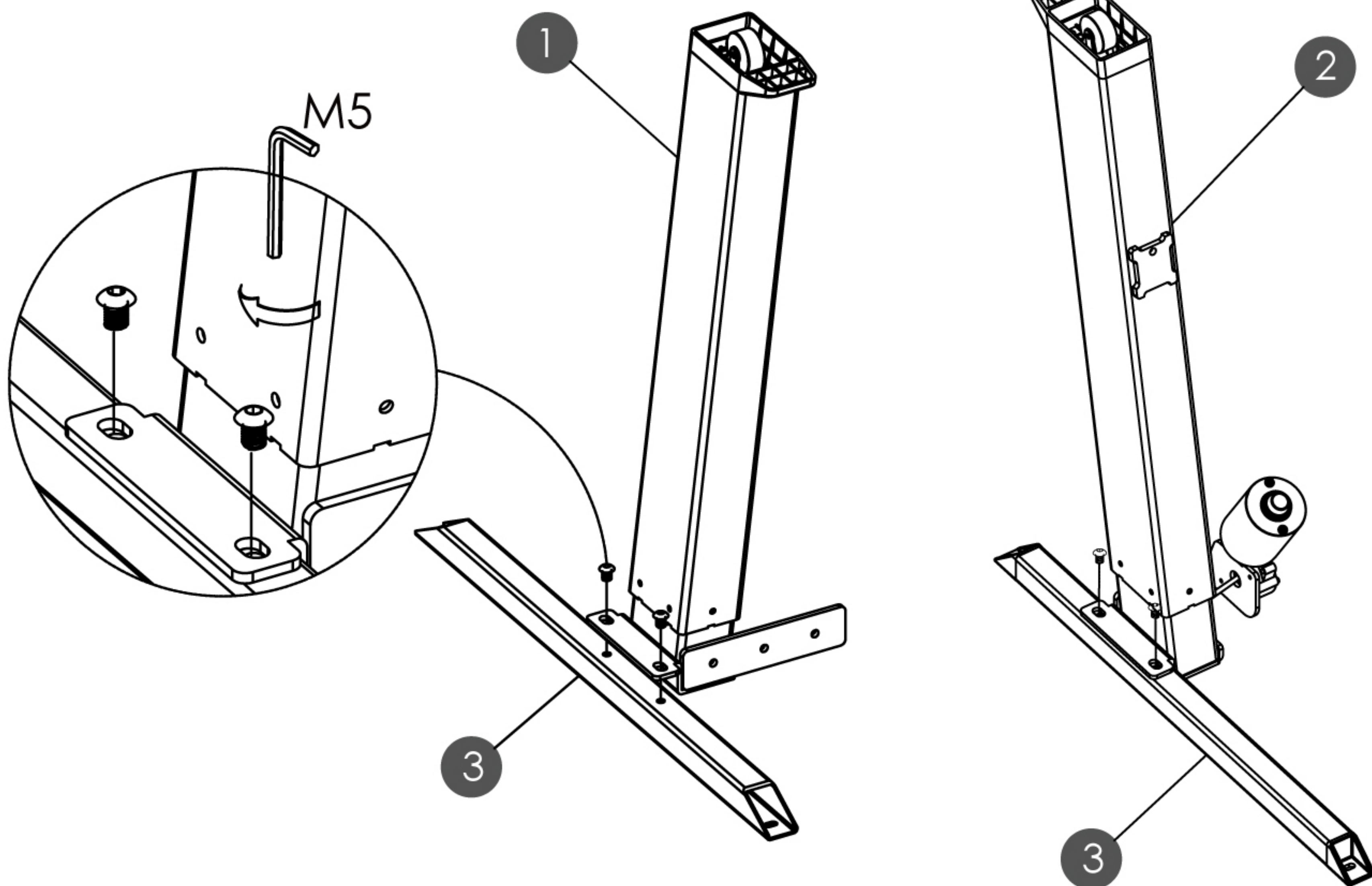
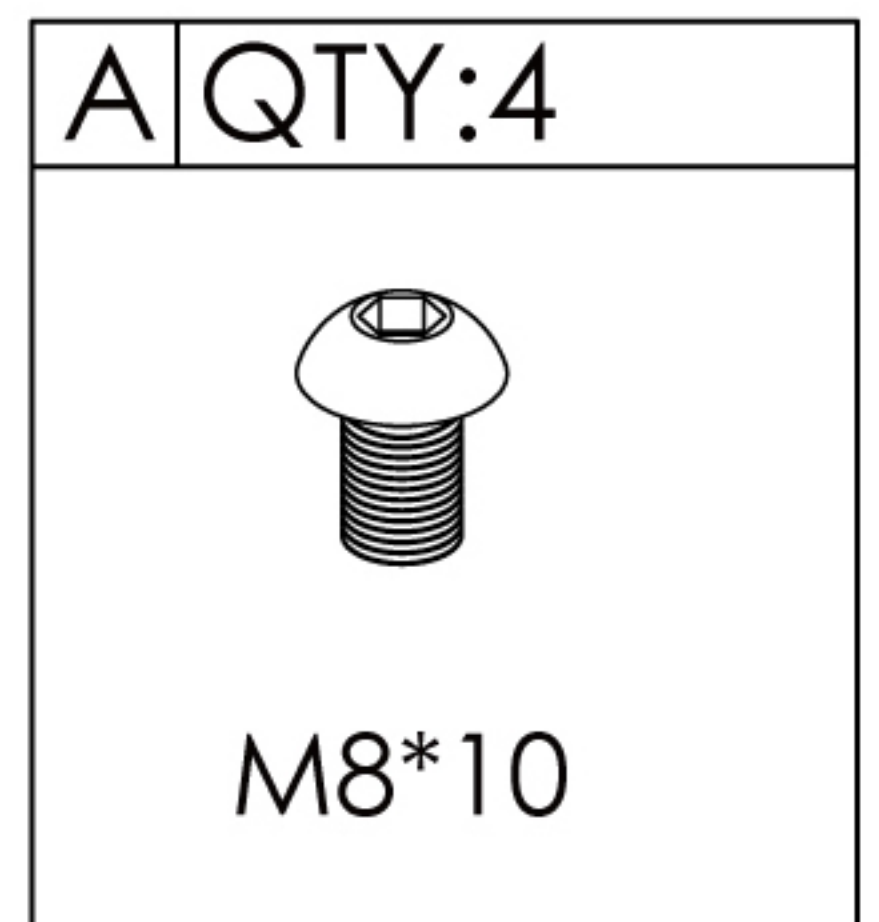
No.	Component	PCS
1	Left leg	1
2	Right leg	1
3	Side frame	2
4	Long tube	1
5	Hex bar	1
6	Base	2
7	Table Top	1
8	Handset	1
9	Power supply	1
10	Power cord	1
11	Hook	1
12	Cup holder	1
13	Power clip	1
14	Fixed frame (optional)	2
15	Storage board (optional)	1

No.	Component	PCS
A	Round Head Screws(M8*10)	11
B	Flat end set screw (M8*20)	3
C	Flange nut (M8)	3
D	Allen Bolt (M6*12)	11
E	Tapping Screw (ST4.2*16)	3
F	Ties	4
	Allen Bolt (M6*25)(optional)	5
H	Allen wrench (M5)	1
I	Allen wrench (M4)	1
J	Spanner	1
K	Allen wrench (M2.5)	1

Assembly Instruction

STEP 1

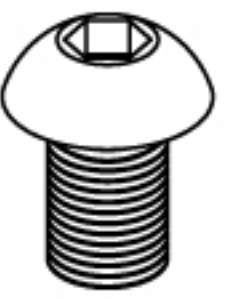
Attach side frame to the legs with screws(M8*10) using Allen wrench.

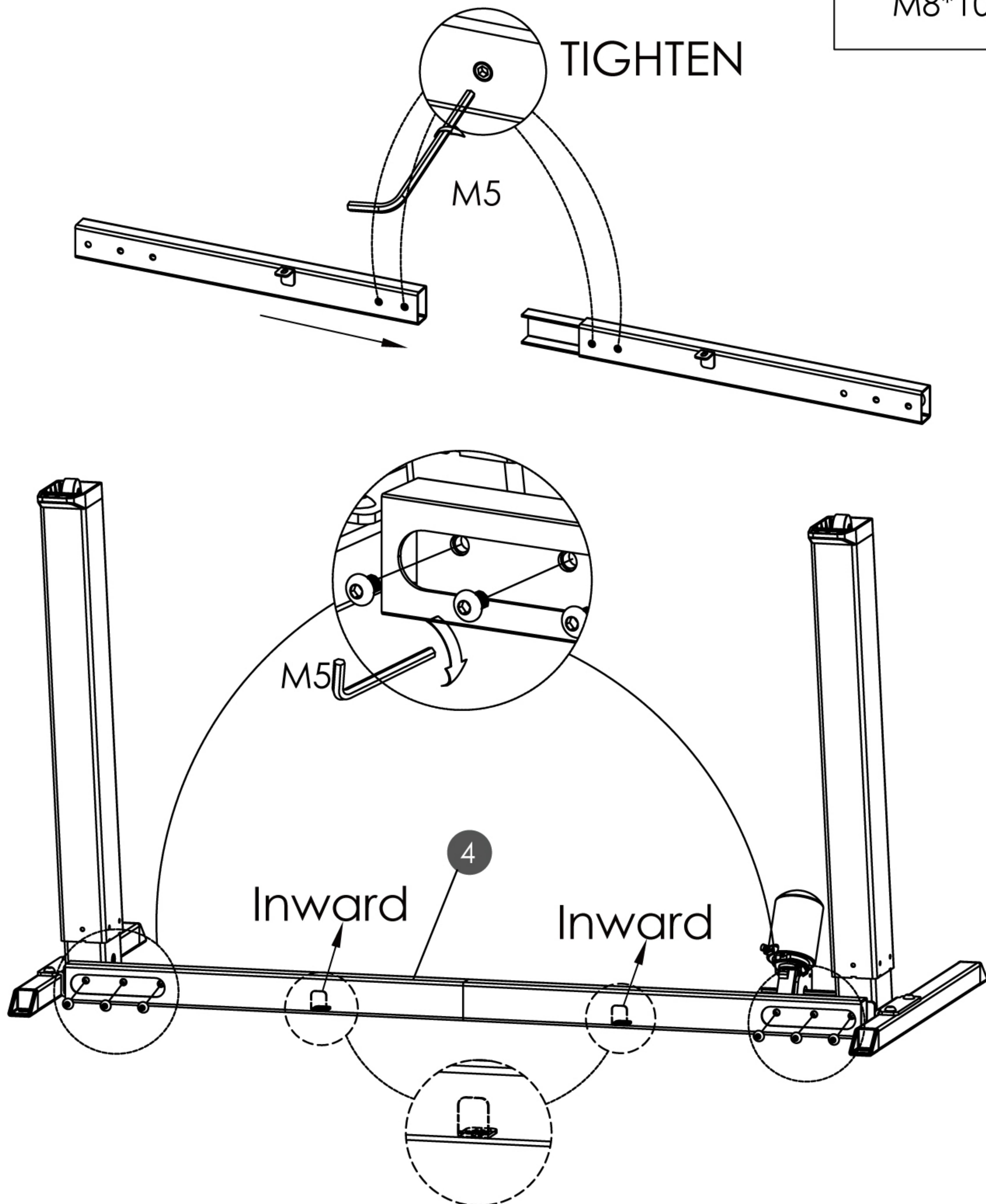


Assembly Instruction

STEP 2

Install long tube as below picture shows.

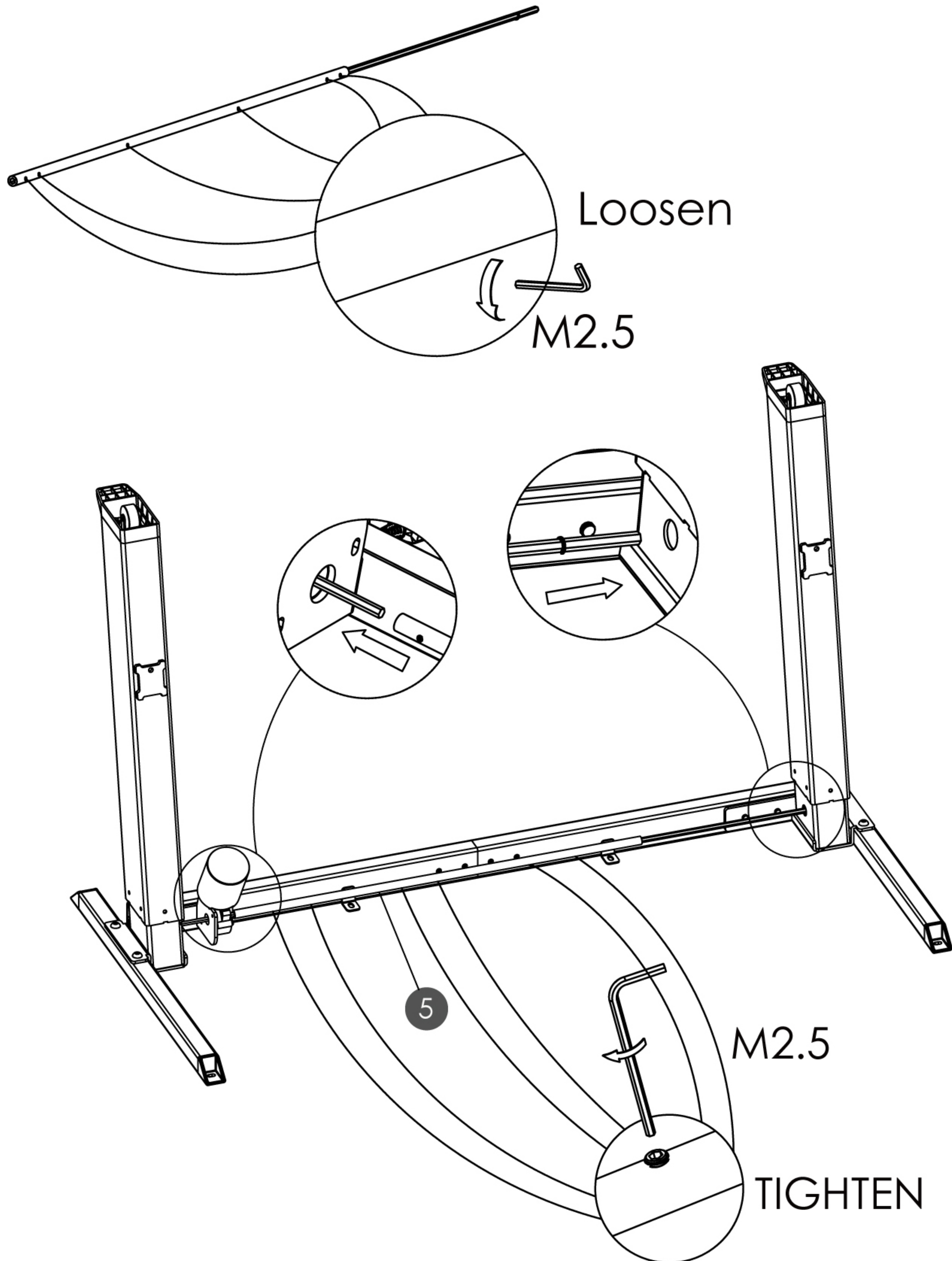
A	QTY:6
	
M8*10	



Assembly Instruction

STEP 3

Install hex bar as below picture shows.



Assembly Instruction

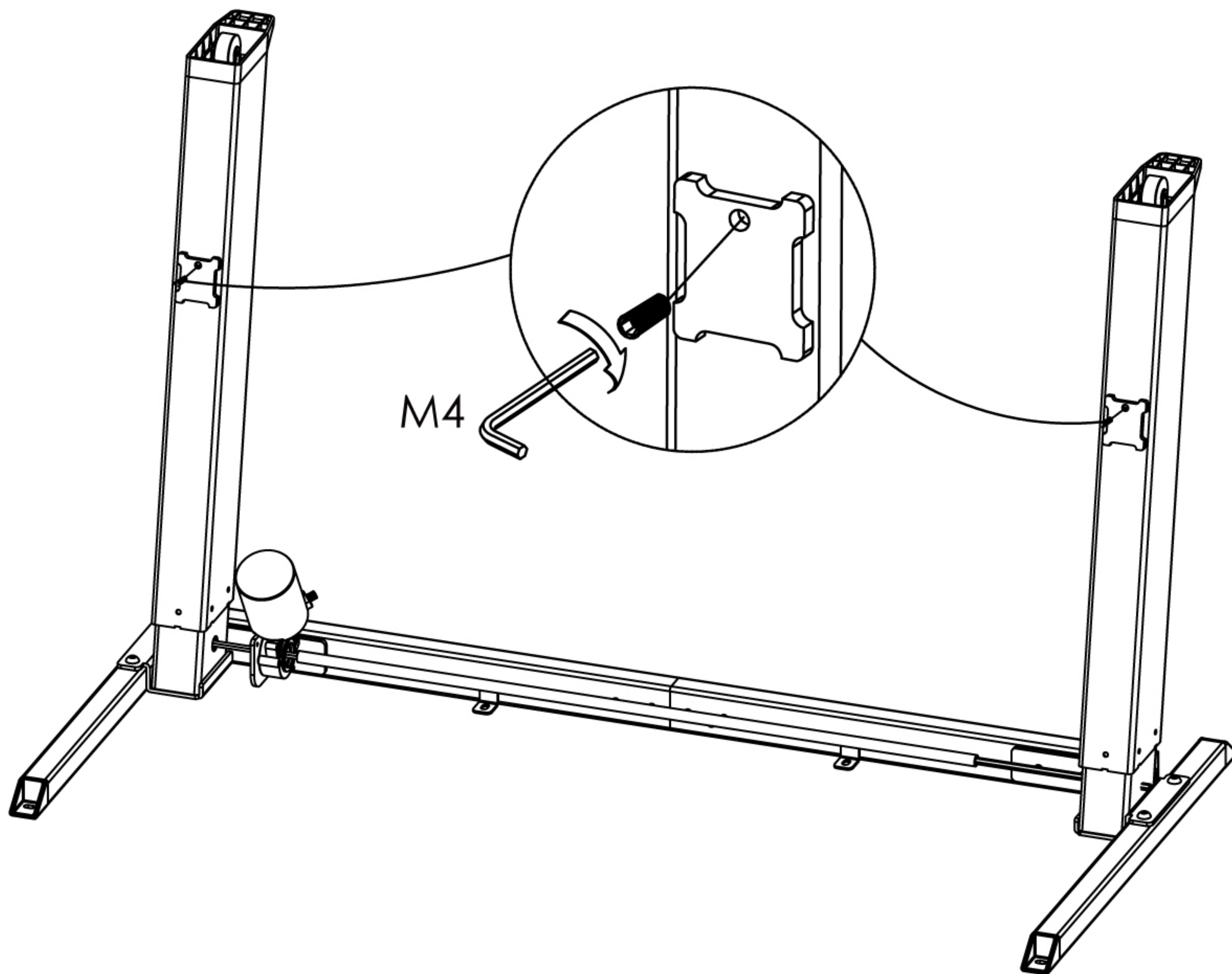
STEP 4

Install bases as below picture shows.

B QTY:2



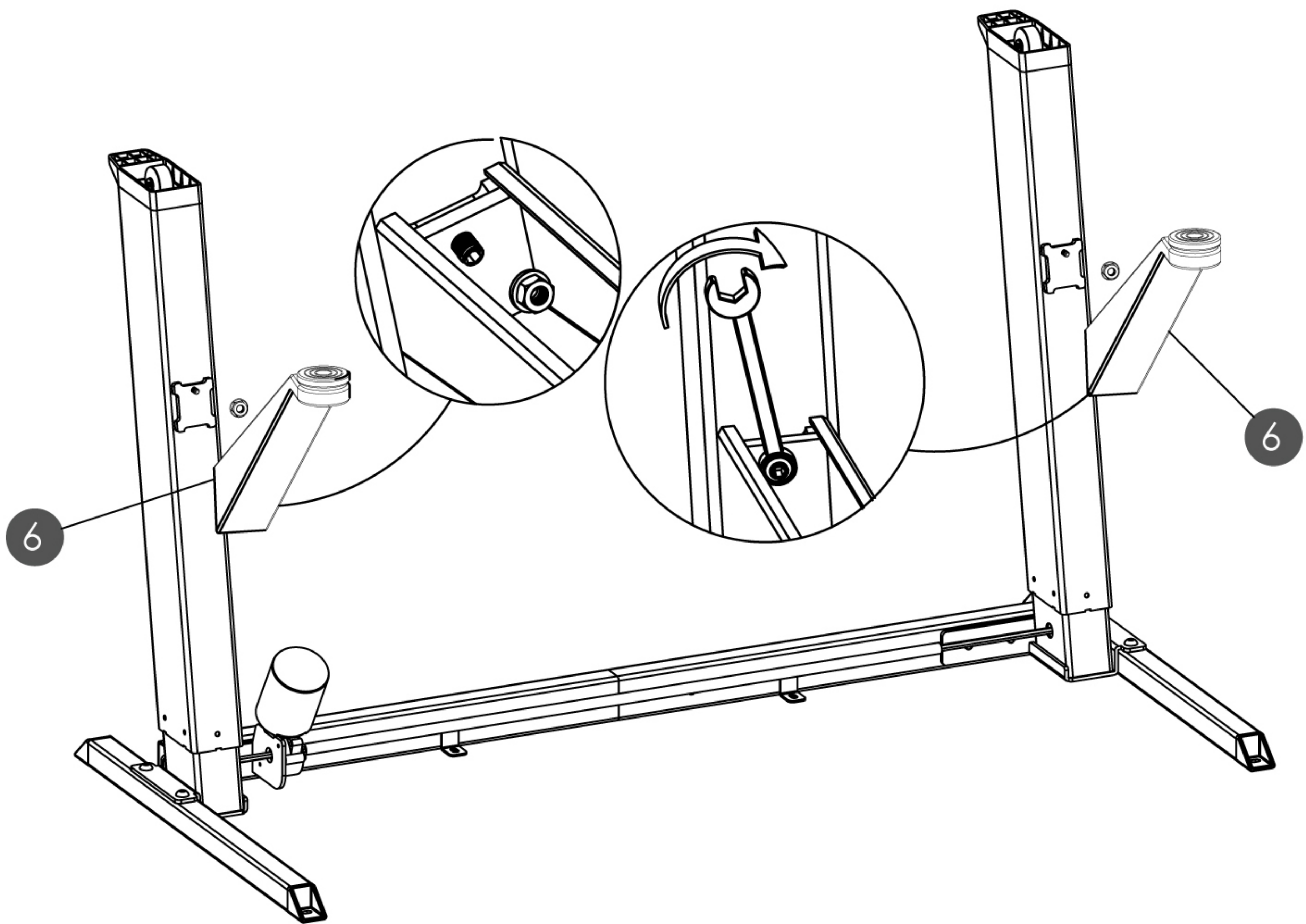
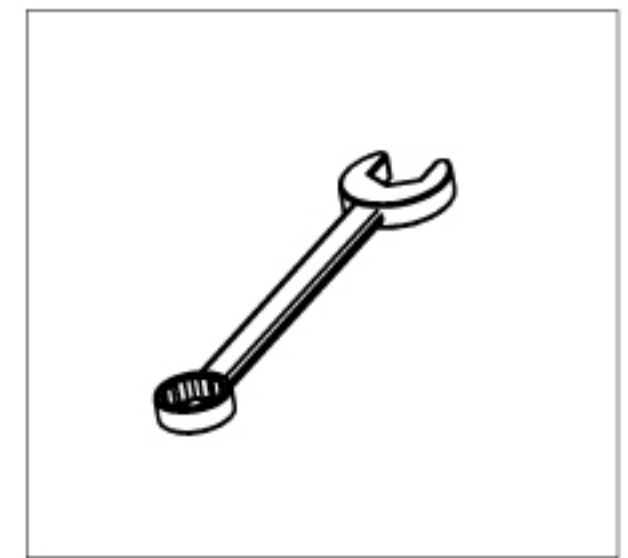
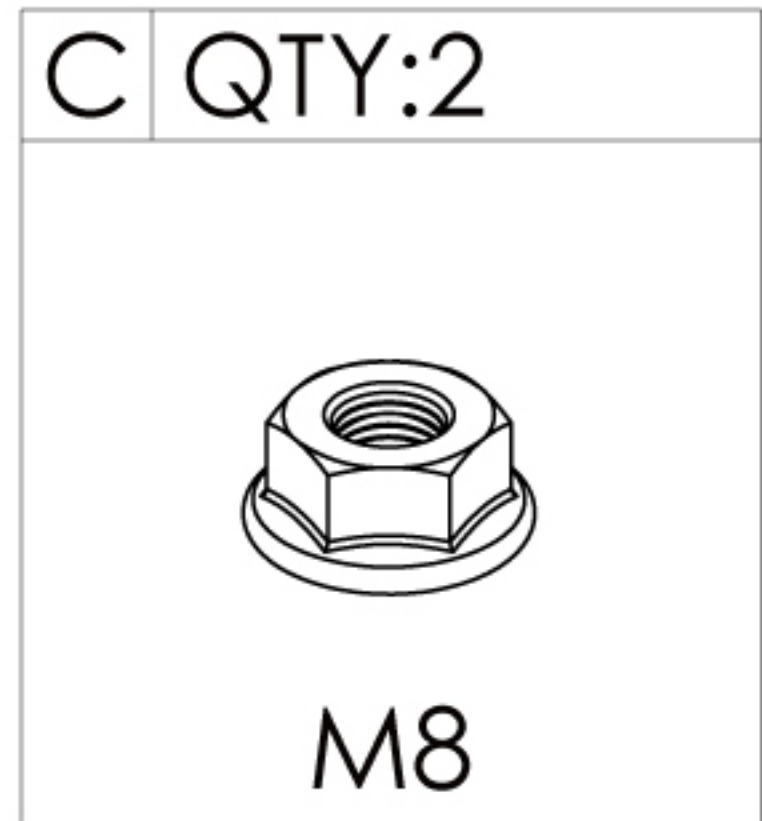
M8*20



Assembly Instruction

STEP 5

Install bases as below picture shows.

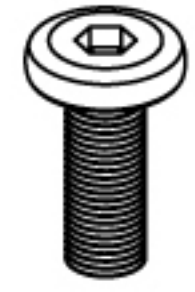


Assembly Instruction

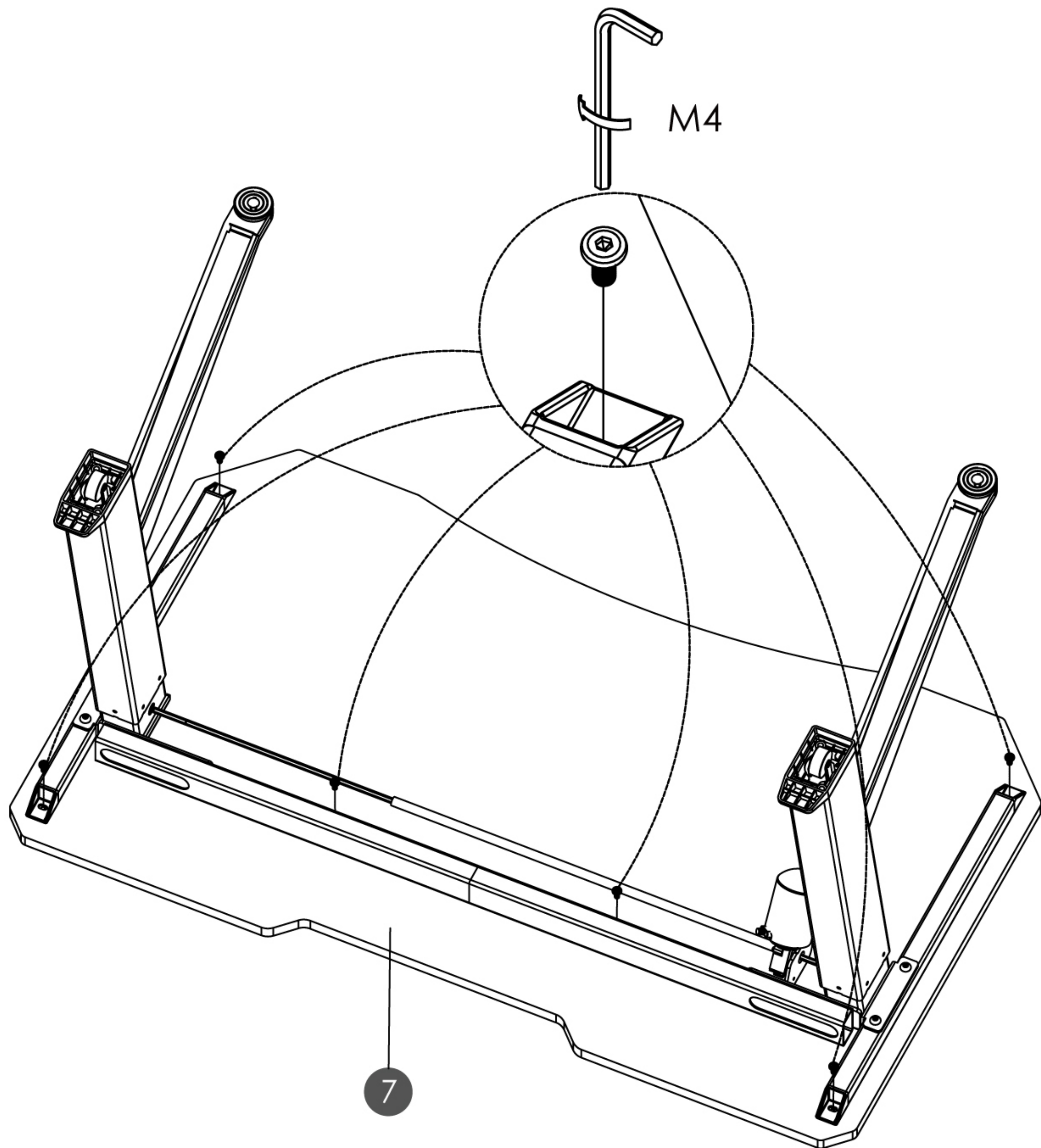
STEP 6

Install the frame to the top table as below picture shows.

D QTY:6



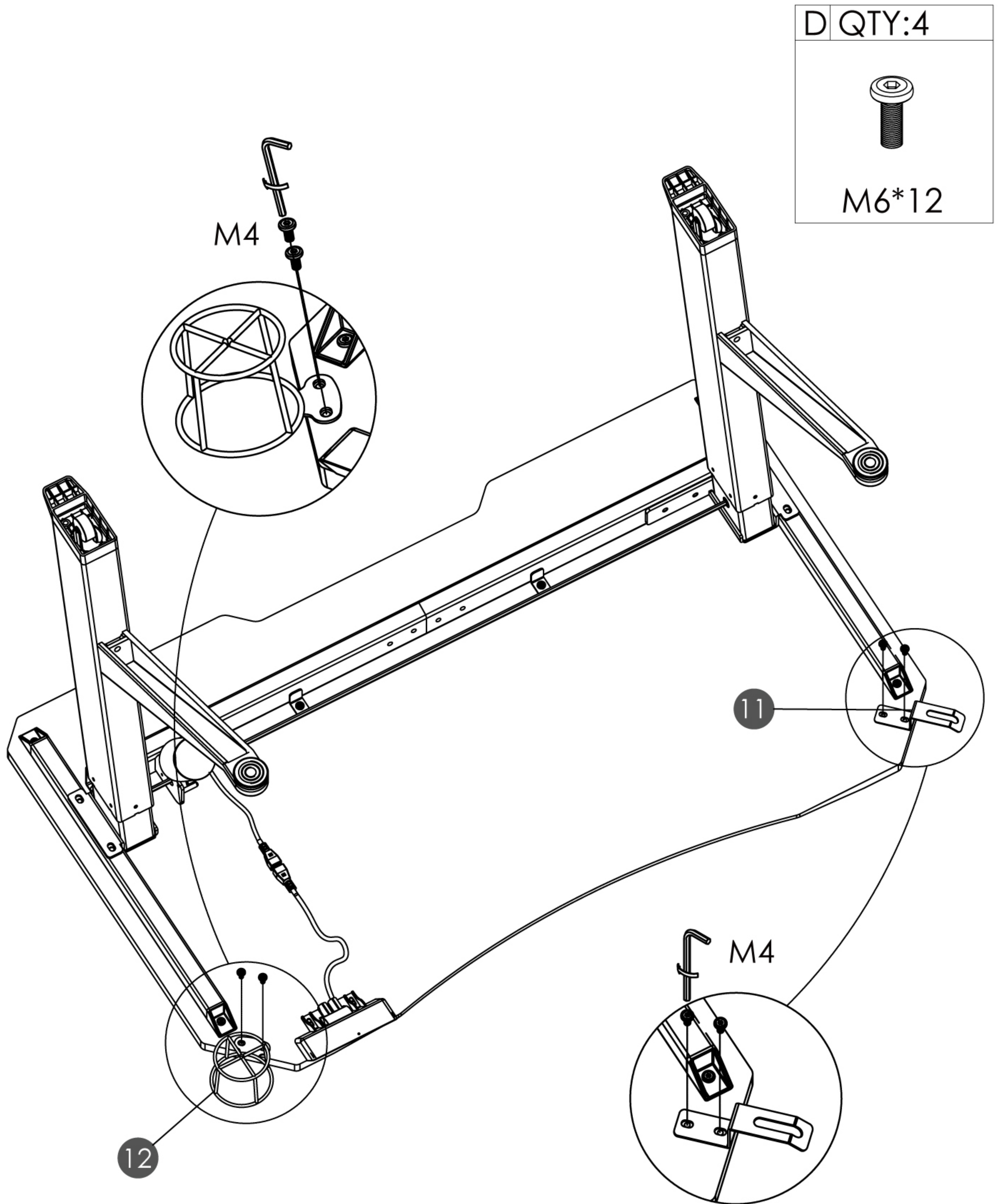
M6*12



Assembly Instruction

STEP 8

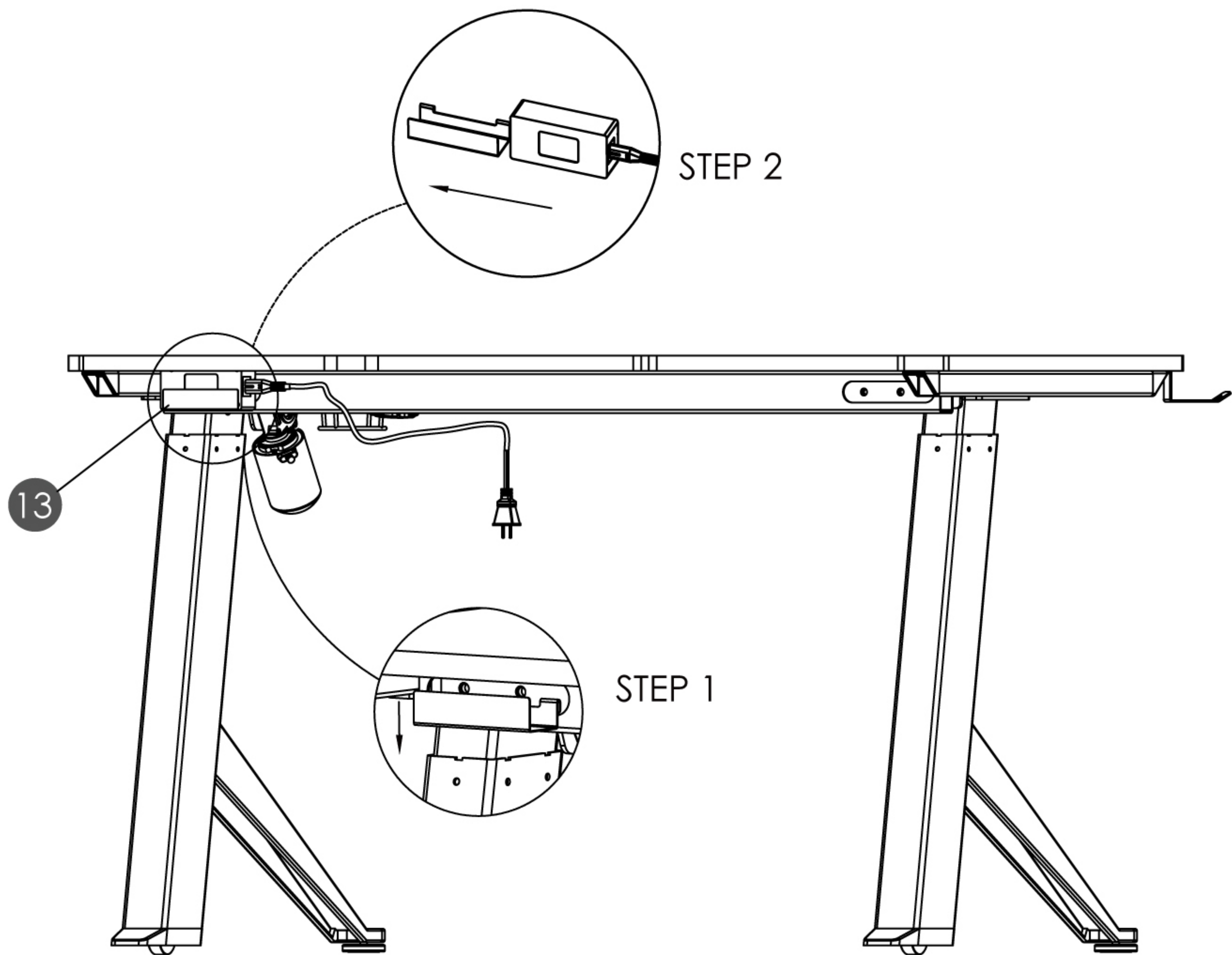
Install accessories as below picture shows.



Assembly Instruction

STEP 10

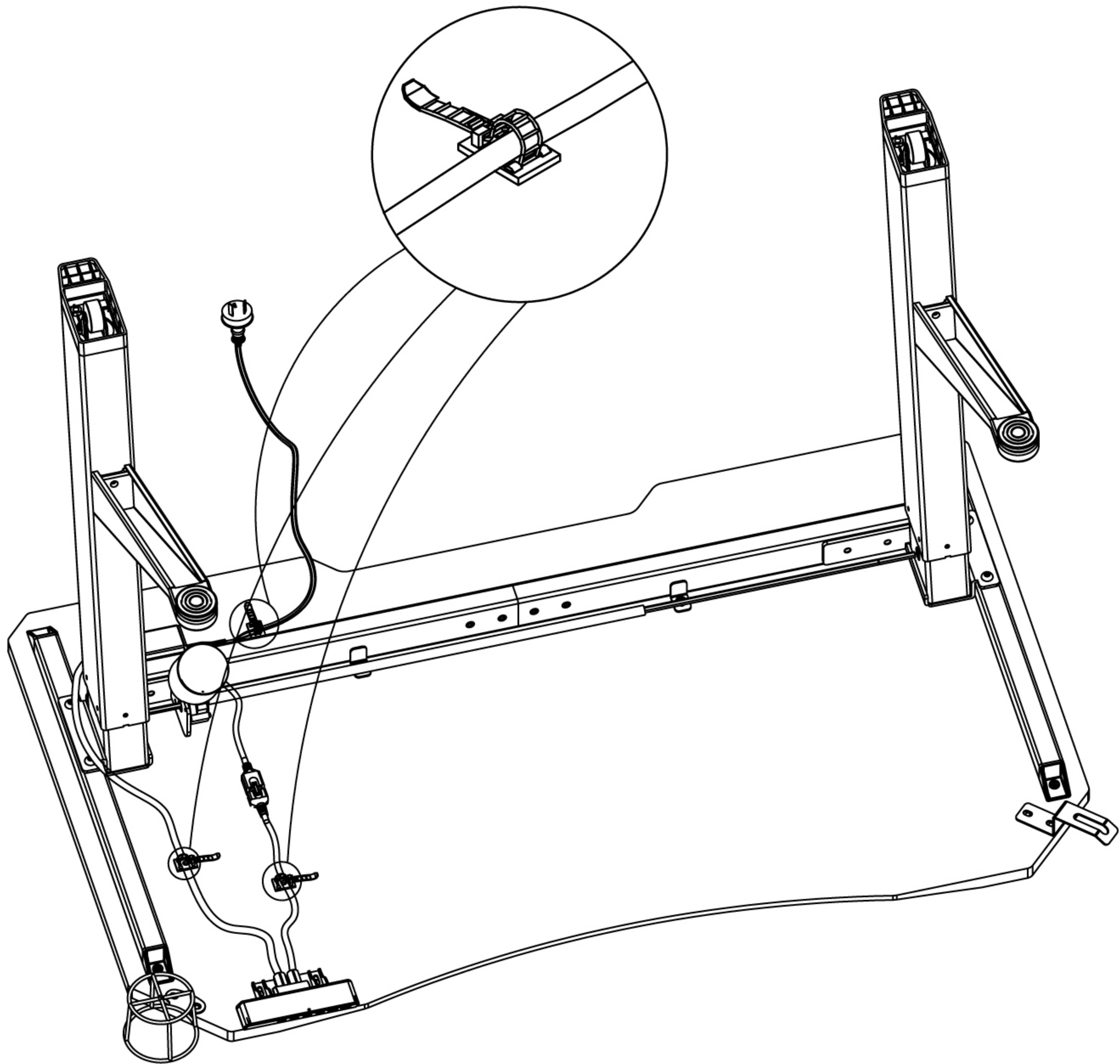
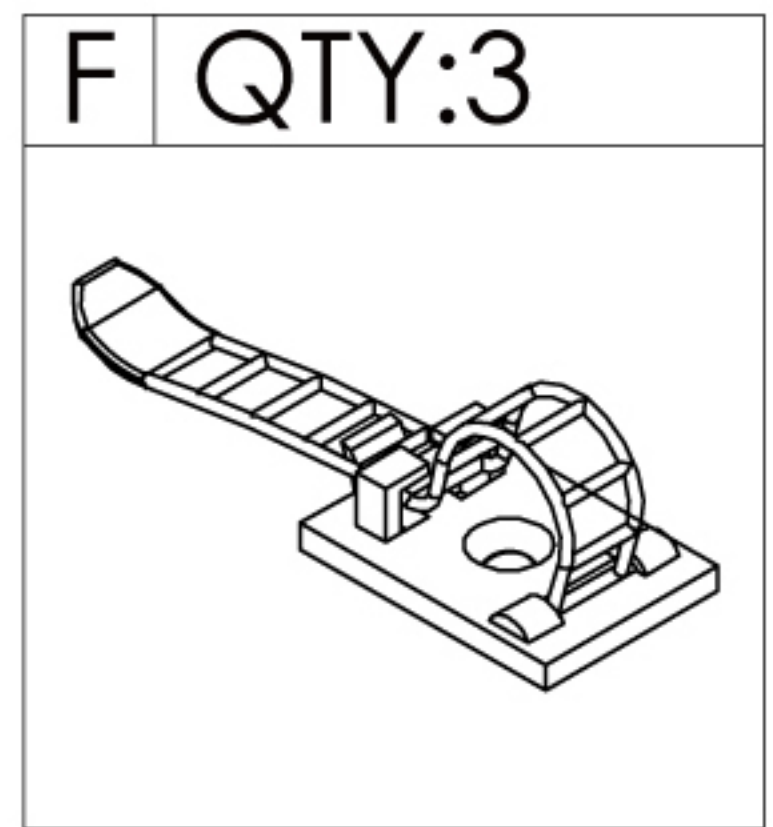
Install power clip as below picture shows.



Assembly Instruction

STEP 11

Use cable ties to organize the lines.



Assembly Instruction

STEP 12

Attach storage board to the fixed frame with screws(M6*25) using Allen wrench.

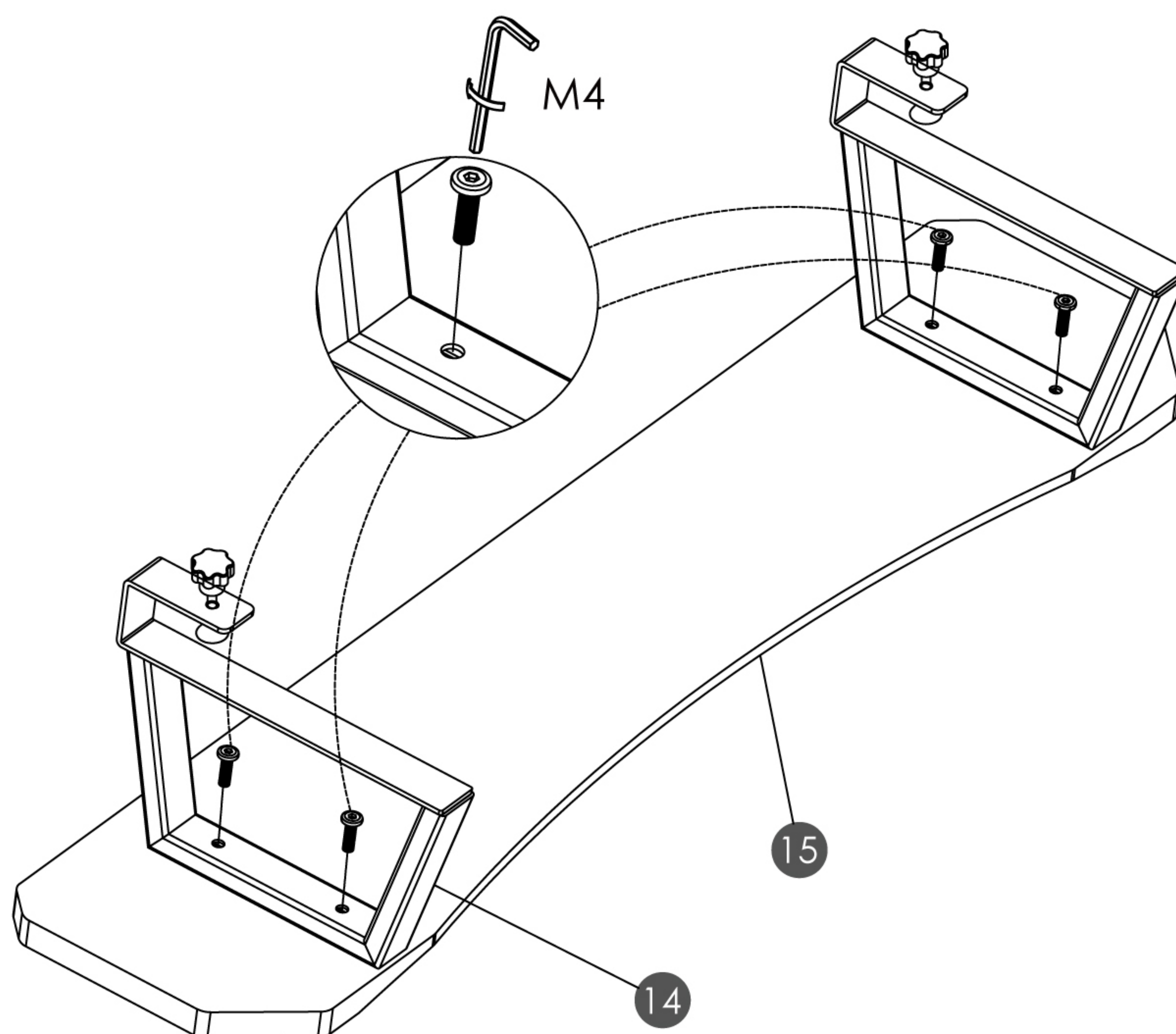
(If there are no optional accessories, please ignore this step)

Optional

QTY:4



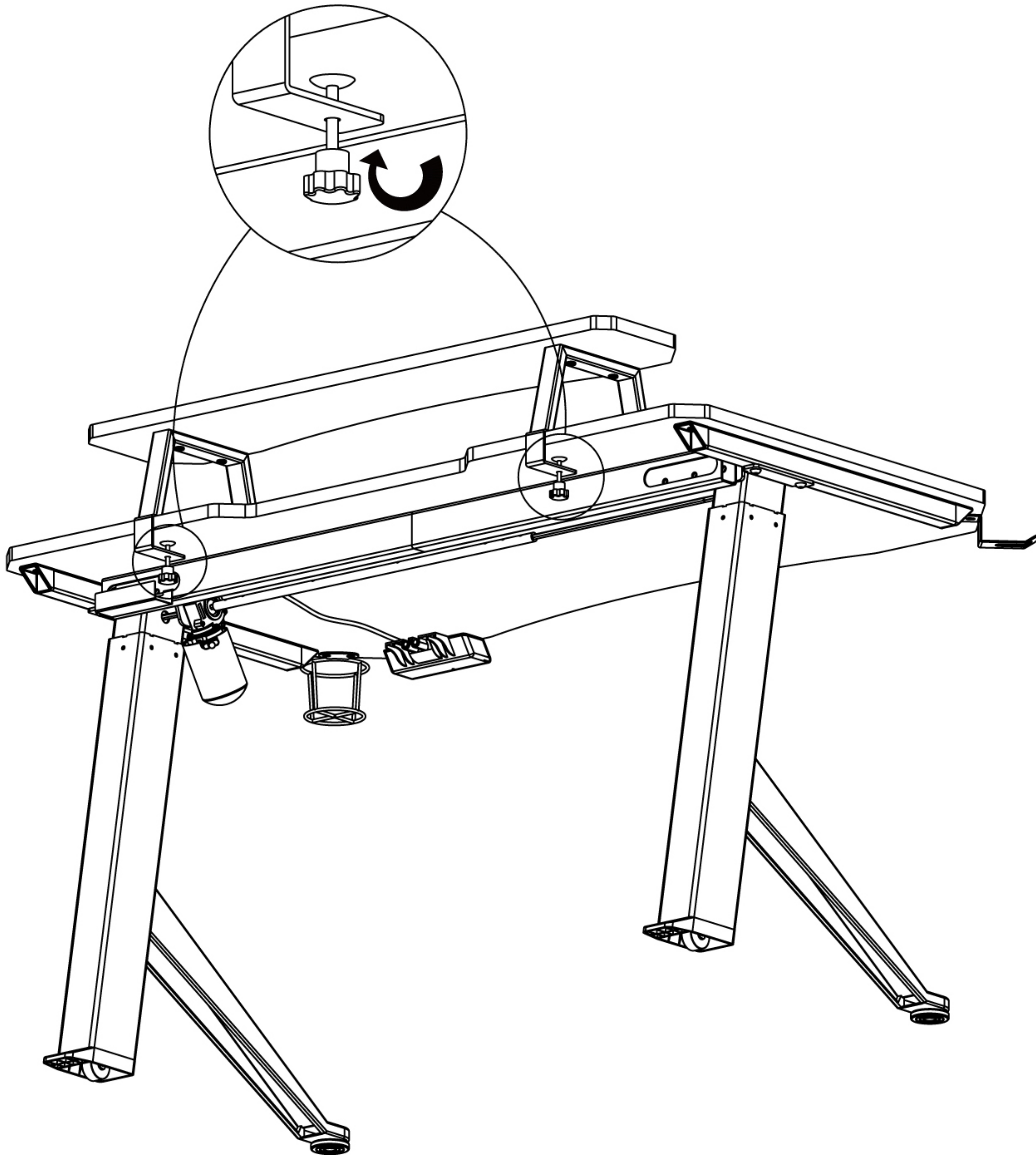
M6*25



Assembly Instruction

STEP 13

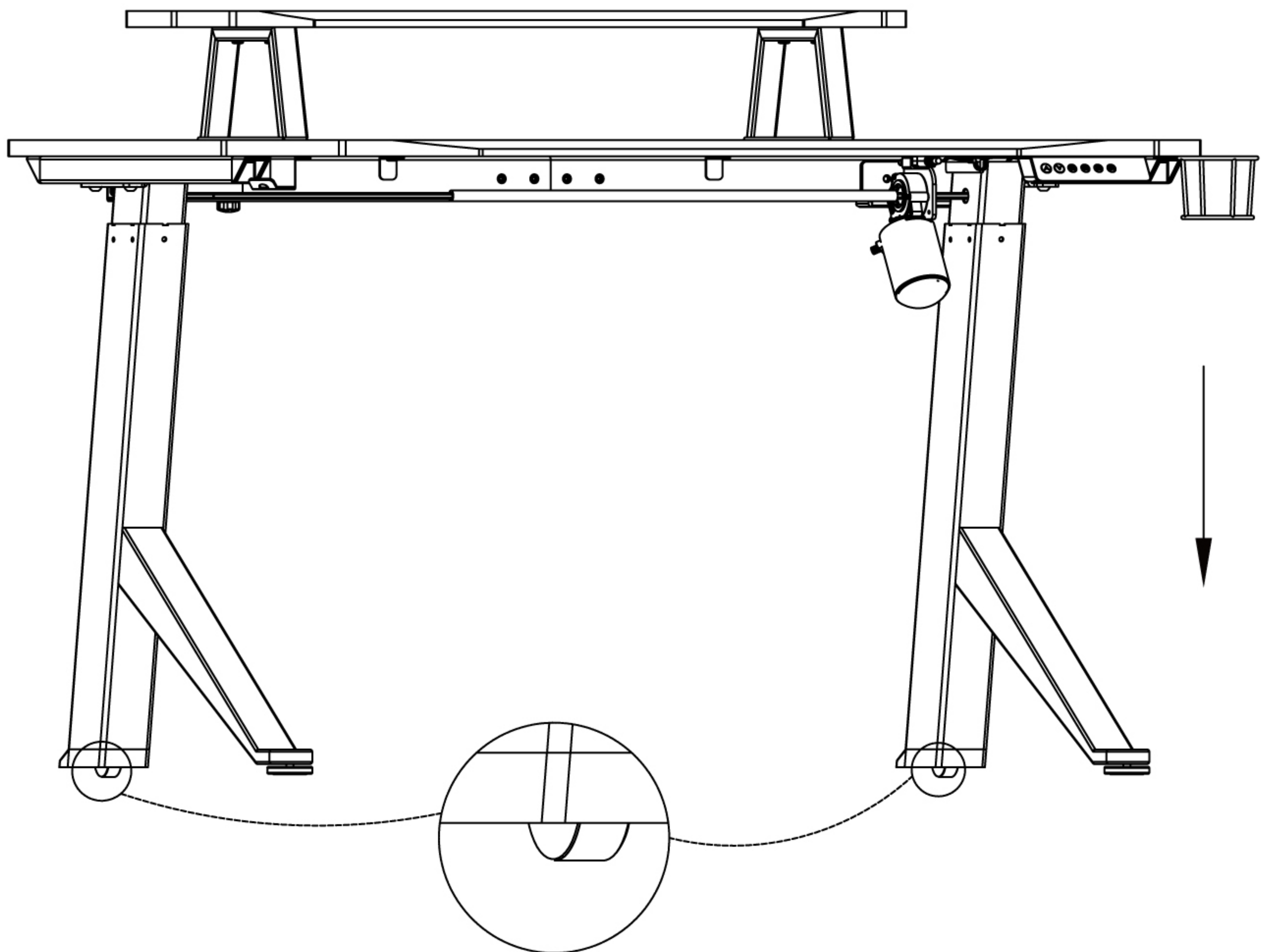
Install shelf as below picture shows.
(If there are no optional accessories, please ignore this step)



Assembly Instruction

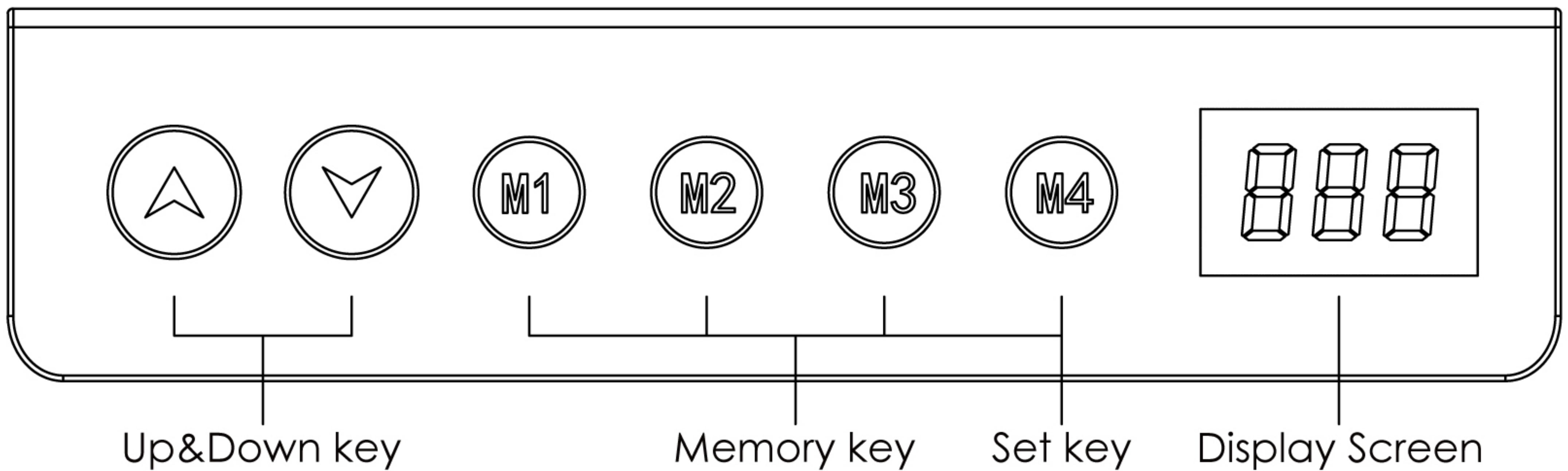
STEP 14

Assembly is now complete.



When it reaches the lowest position, the castors in the rear legs will pop out. Then you can move the desk easily by lifting the side colse to you.

Directions For Use



The whole handset surface is a button panel. If there is no press within 30 seconds, the screen is locked and M1/M2/M3/M4 keys are locked correspondingly, you should press Up or Down key first, it can be used when the display screen lights up.

■ Up & Down Keys

Please keep pressing UP/DOWN key to adjust desk height until you get an optimum height.

■ Display Screen

Display the height value of the desk.

■ Memory Key M1/M2/M3/M4

After setting memory keys, the desk can lift automatically to preset height.

- How to preset memory height

Please keep pressing any key from M1~M4 for 5 seconds until "Beep" sound. the memory height is saved accordingly. Then a light press on the key which has preset height, the desk will move to the memory height automatically.

■ Special function

When it reaches the lowest position, the castors in the rear legs will pop out. Then you can move the desk easily by lifting the side close to you.

Directions For Use

■ Initialization

1. When " RST " is on the display screen, press the "▽" button until the desk frame reaches its lowest position.

After hearing the " bleep " sound and desk frame rebounds, initialization is completed.
(P.S. The button cannot be released during this operation, otherwise the initialization will fail.)

2. Force initialization: Press the "▽" button until the desk frame reaches its lowest point, then release the button and press it again for about 5 seconds until hear the " bleep " sound and desk frame rebound, and the initialization is completed.

3. Restore the factory default settings: When new controller is changed or the parameters need to be restored to the factory settings, press the "▽" and "▲" buttons simultaneously, you will hear the first " bleep " sound after about 5 seconds and second " bleep " sound after another 3 seconds. When the display screen shows " RST " , please operate refer to the No.1 item.

■ Safety Function

When the desktop is on the rise or down, encountered reverse resistance, the desk will rebound.

Directions For Use

■ Handset shows error code and solution

Error code	Fault cause	Solution
E01,E06,E07	Power fault	Change power
E04	Handset fault	Unplug and replug the cable of hand set
E05	Anticollision alert	Rebound reminder , normal condition
E08	Desktop sloping	Check the desktop
E11,E21,E40,E41	Connection cable failure	Check the connecting cable
E12,E22,E42,E43	Controller fault	Exchange the controller
E14~E17,E24~E27	Motor fault	Change motor
E18,E28	Overloading	Reduce the loading
HOT	Overtime operation	Automatic recovery after stop using for 20 minutes

SPECIFICATIONS

Electric control part:

Input Voltage:100-240Vac 50/60 Hz

Duty cycle:10% MAX 2min on 18min off

Desk frame part:

Dynamic load: 80KG

The maximum static load: 100KG

SUNAOFE

Empower Your Life With Sunaofe

www.sunaofe.com