

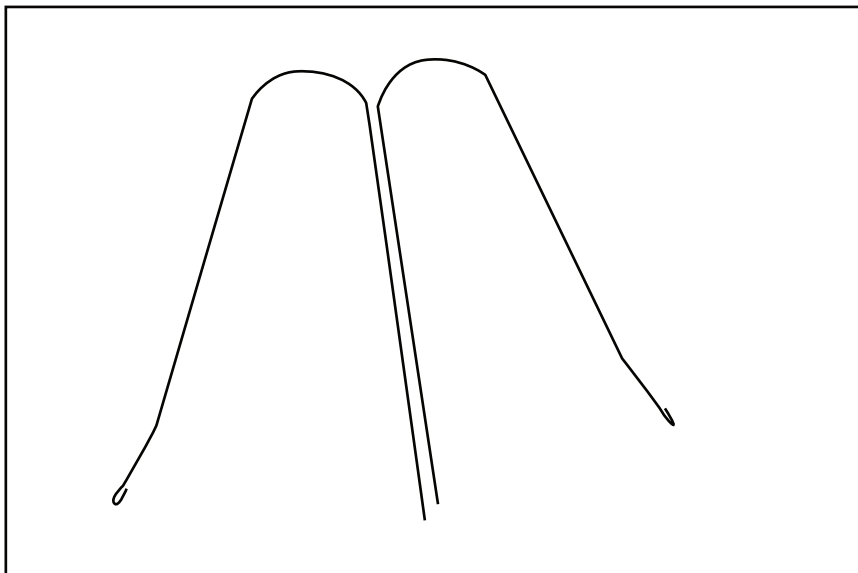
Fender Instruction

In package, you'll find 3 packs of bolts, washers, and nuts. They are for:

| Fender Spoke Hardware | Fender Mount to Frame Hardware | Tail Light Hardware |
|-----------------------|--------------------------------|---------------------|
|-----------------------|--------------------------------|---------------------|

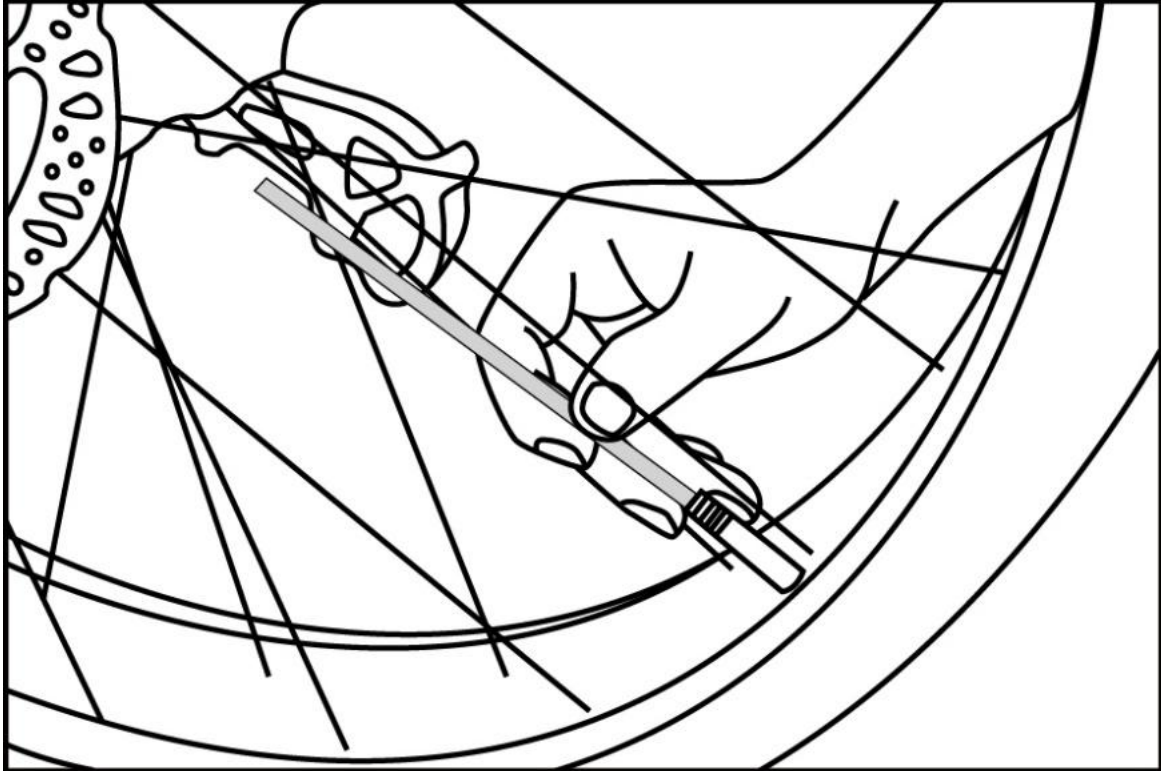


Front and rear fender has different size of spokes. Put them beside each other, the **longer one is for rear**, and shorter one is for front.

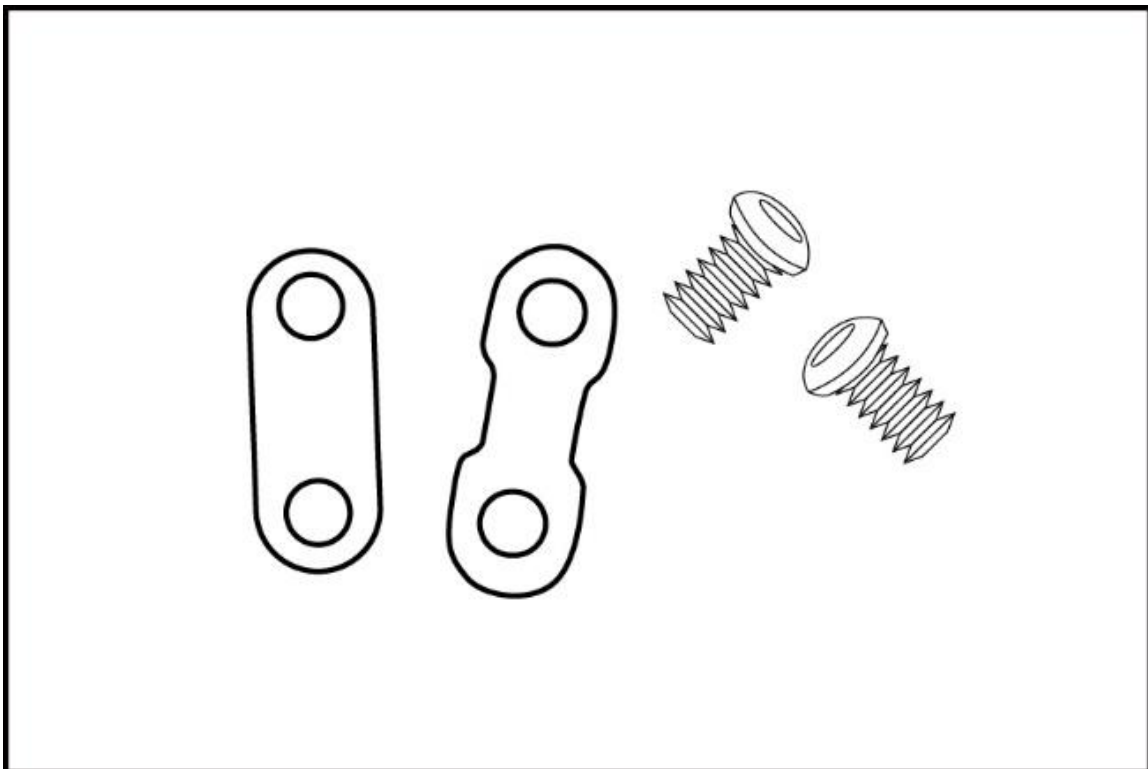


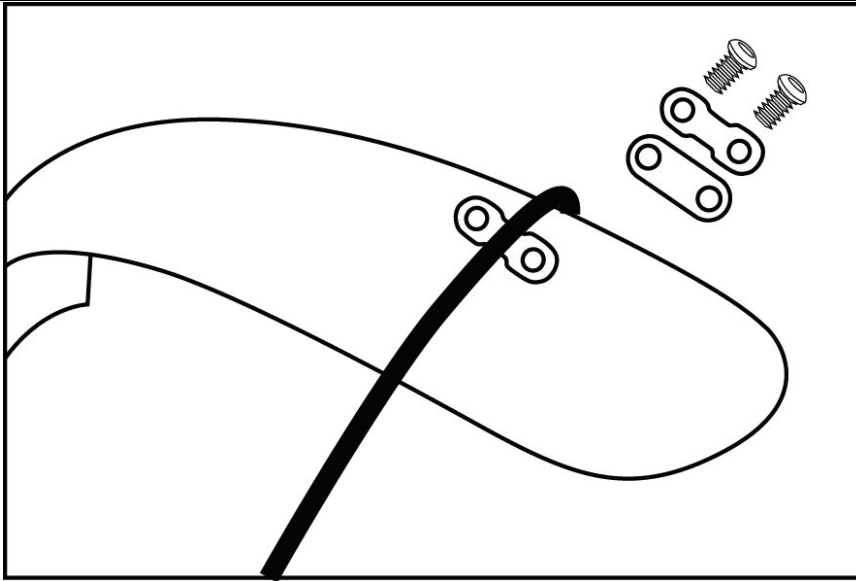
1, Remove front wheel.

2, Deflate Rear Tire

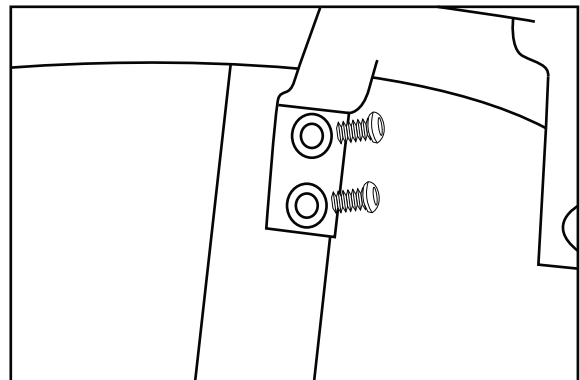
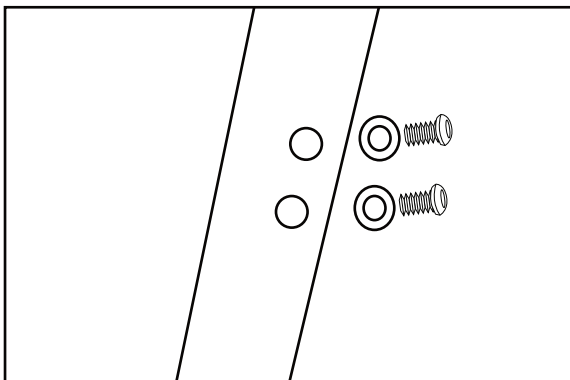
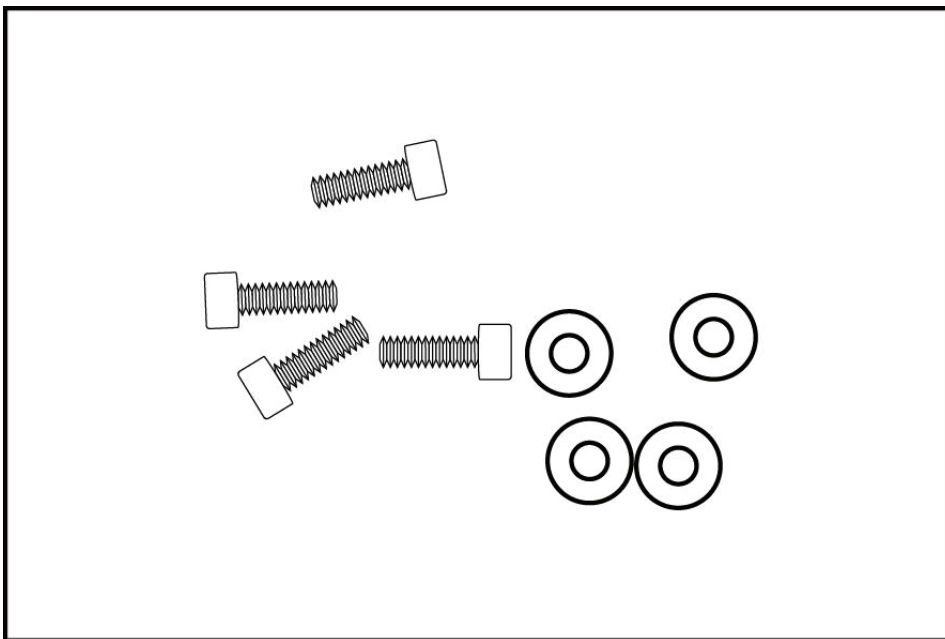


3, Install spokes on both front and rear fenders

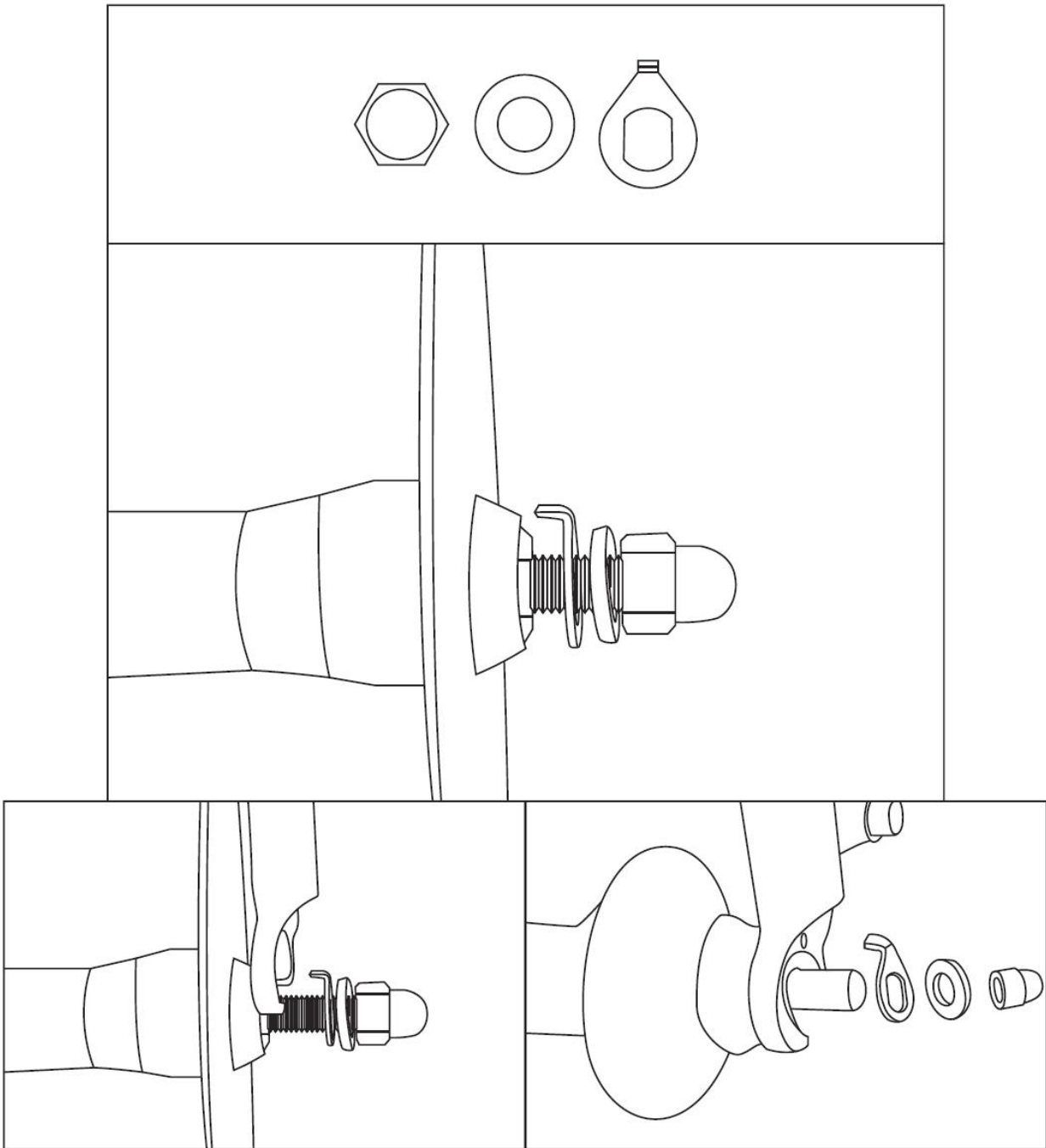




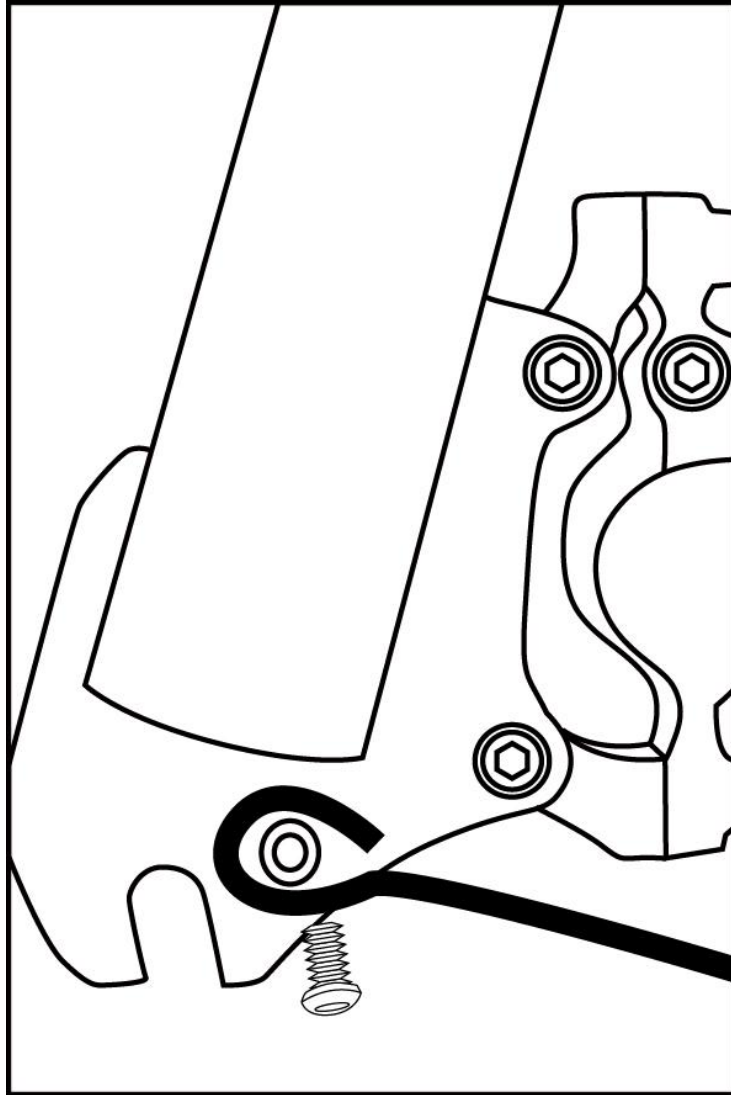
4, Mount front fender to front fork with 2x allen bolts on each side



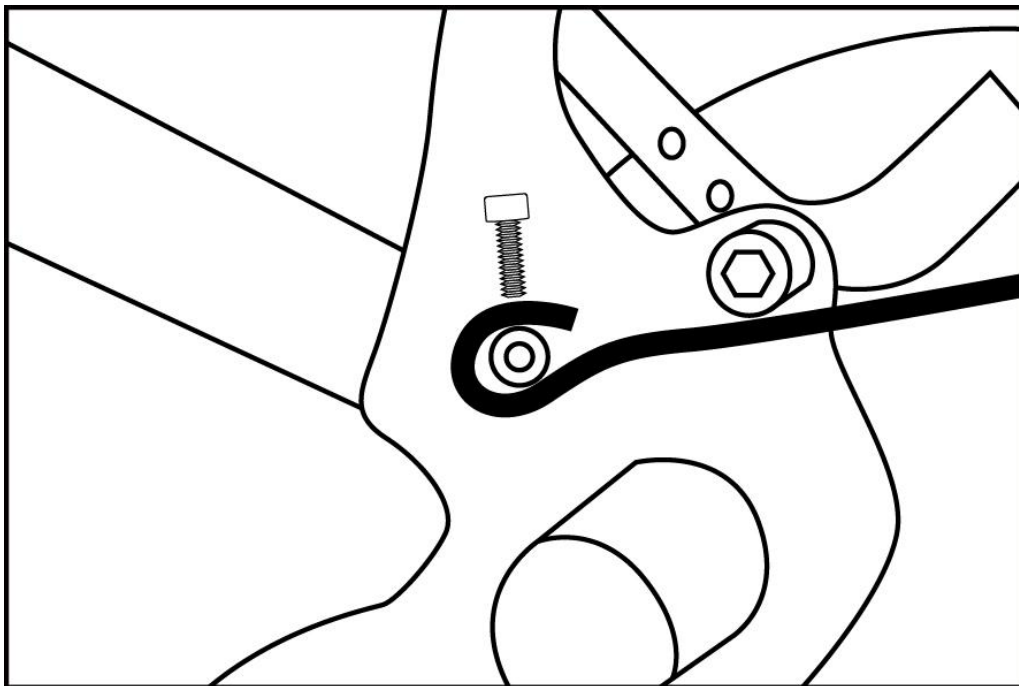
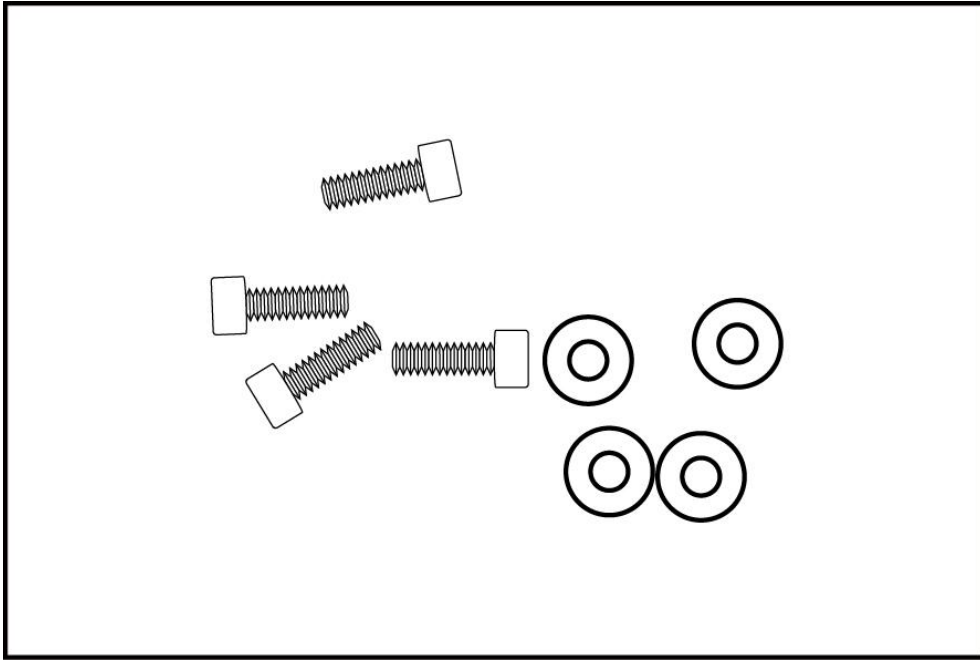
4.1 Install front wheel



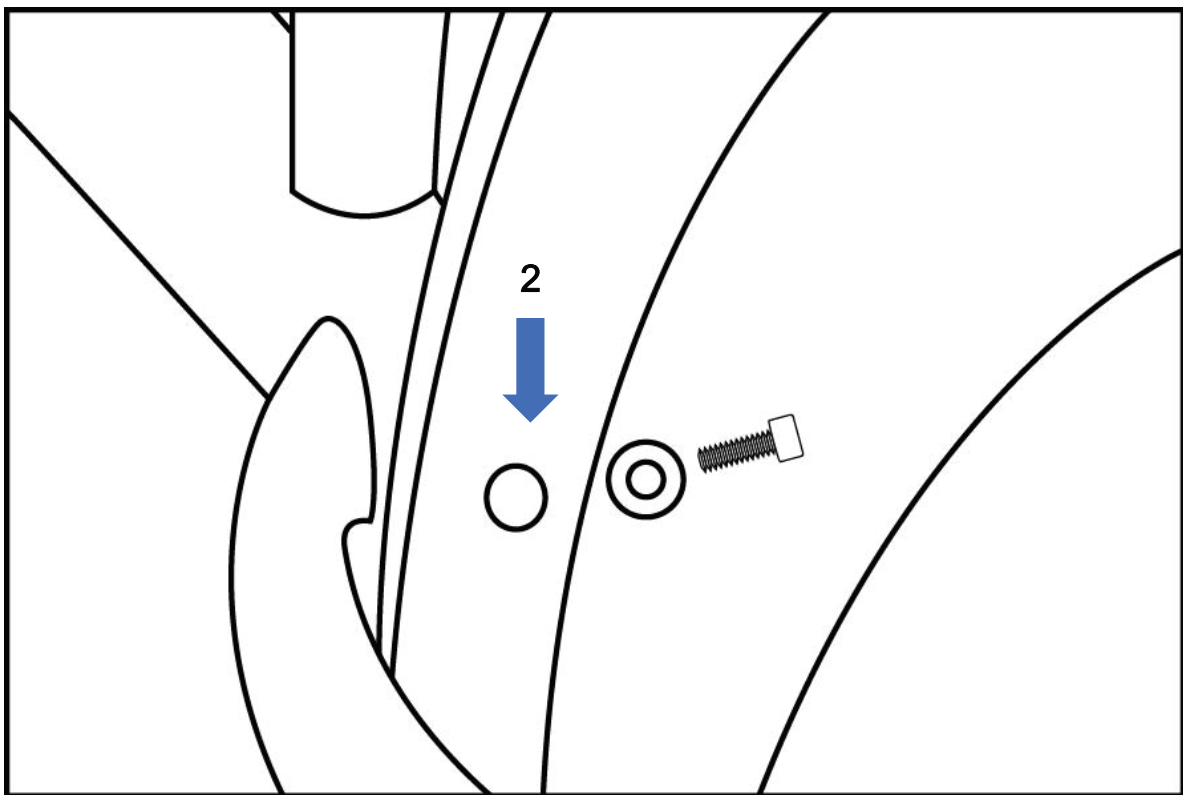
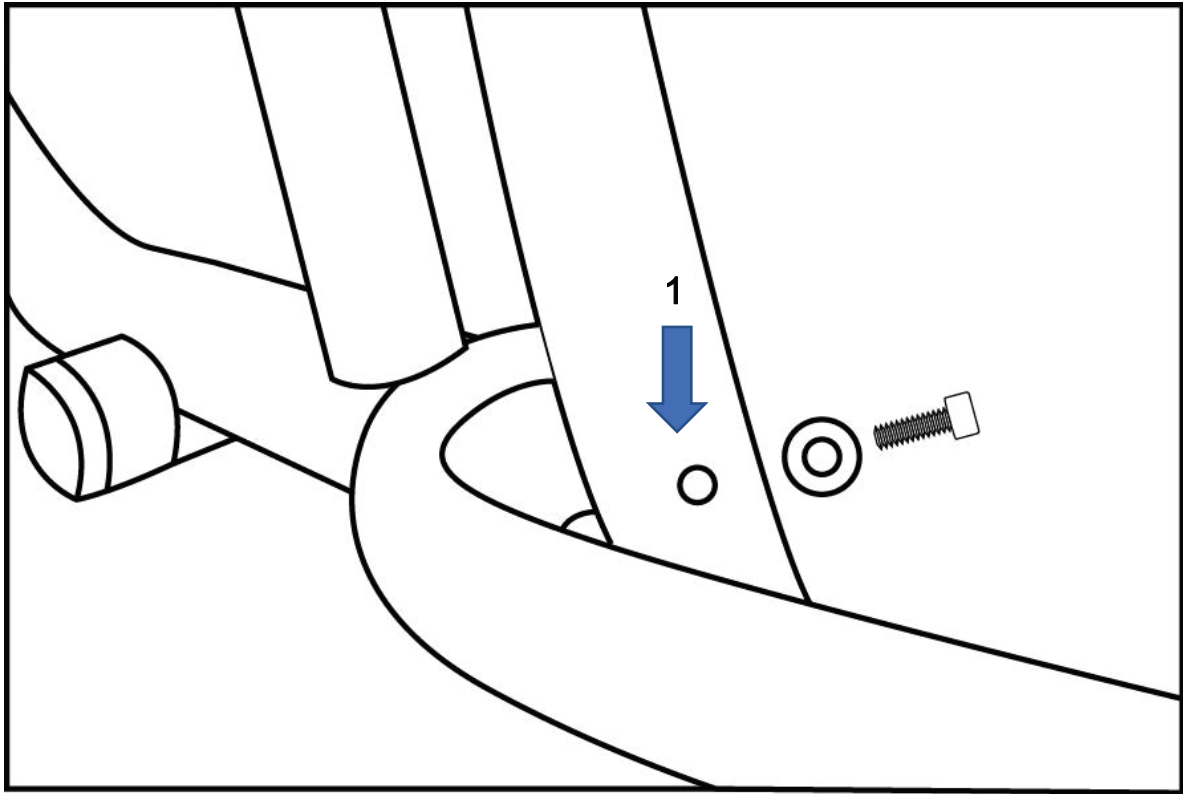
4.2 Mount the spokes of front fender to frame with 1x allen bolt and washer on each side.



5, Mount rear fender by fixing the spokes to frame first, with 1x allen bolt on each side

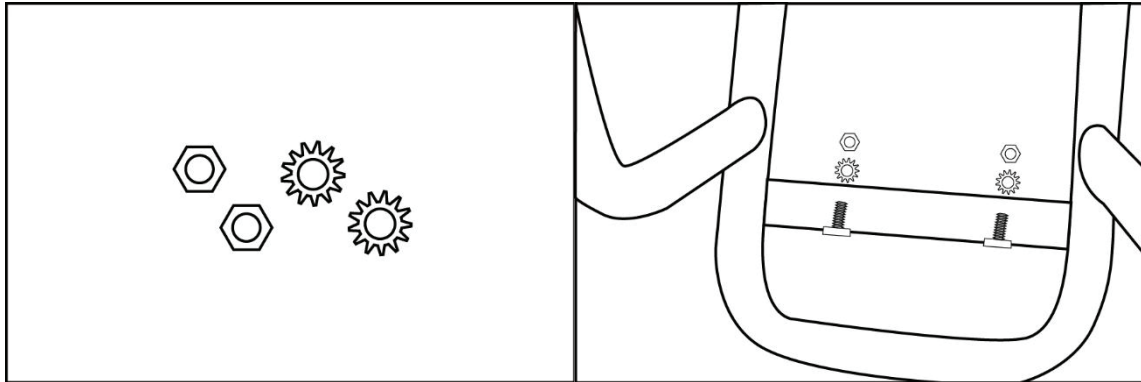


5.2 Mount allen bolts and washers to place (1) and (2). Press tires to access narrow position.

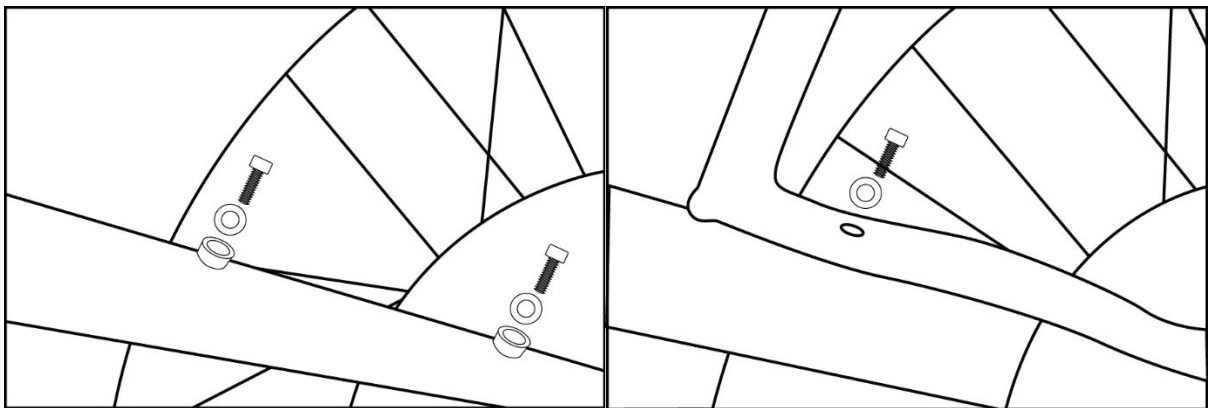


6. Inflate rear tire and finish.

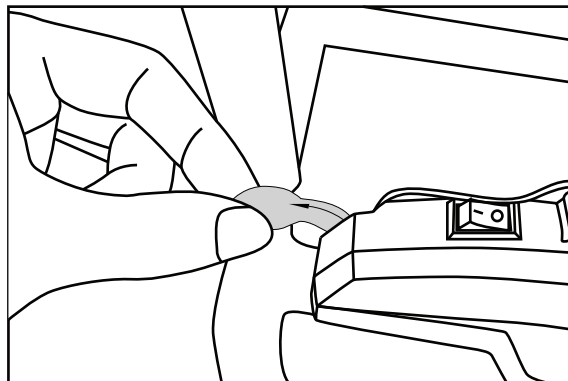
Rear Rack Instruction



Install tail light to rear rack with these 2 sets of nuts and washers.



Remove the 4 allen bolts and washers from rear fork. Put on rack. Fasten the bolts securely.



Pull out the insulating strip to start using the tail light