

DHI-VTO2003F

2-wire Hybrid Villa Door Station



EACH

Technical Specification

System

Main Processor	Embedded Processor
Button Type	Mechanical

Basic

Camera	1/2.8" 2 MP CMOS HDR Camera
Field of View	H: 110°; V: 60°
WDR	DWDR
Noise Reduction	3D NR
Video Resolution	P: 960 (H) × 576 (V) N: 960 (H) × 480 (V)
Video Frame Rate	P: 25 fps N: 30 fps
Light Compensation	Auto IR
Day/Night	Auto(ICR)/Color/B/W
Audio Input	1
Audio Output	Built-in speaker
Audio Mode	Two-way audio (half-duplex)

Function

Unlock Mode	Remote unlock
Leave Videos	Yes (SD card inserted in VTH is needed)

Performance

Casing Material	Aluminum Alloy
-----------------	----------------

Port

RS-485	1
--------	---

- Aluminum alloy front panel.
- Offers video intercom which communicates through half-duplex.
- Auto IR illumination.
- Video messages can be left for unanswered calls. (SD card is required for VTH.)
- Features nameplate and DWDR.
- Supports local lock and second lock.
- Offers anti-tampering alarm.
- IP65 and IK07 rated.



Alarm Output	1
Power Output	1(12 V/200 mA)
Exit Button	1
Door Status Detection	1
Lock Control	1

Alarm

Tamper Alarm	Yes
--------------	-----

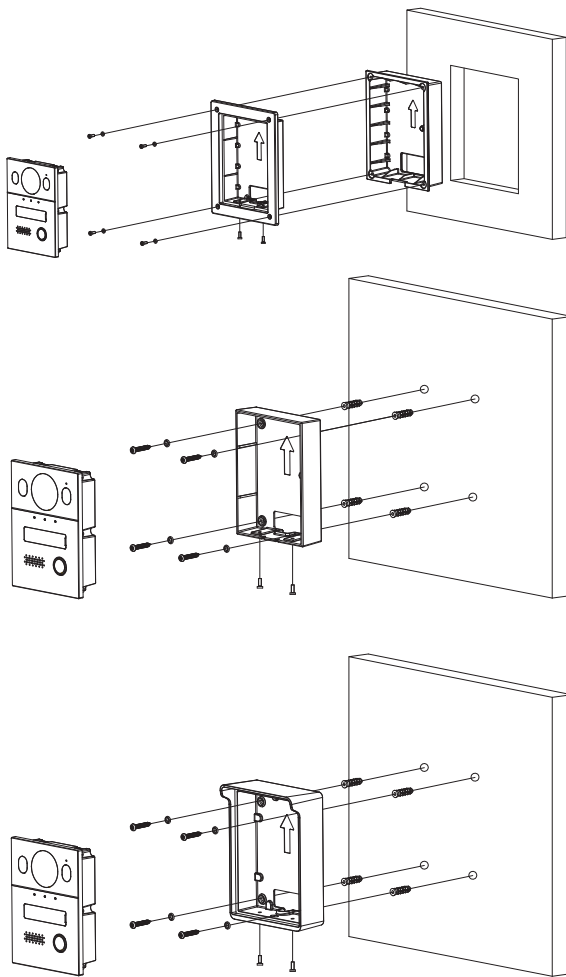
General

Appearance Color	Silver
Power Supply	2-wire controller
Power Adapter	Optional
Installation	Flush Mount; Surface Mount
Certifications	CE; FCC
Accessory	Sold separately: surface box, rain cover, flush box, 2-wire controller
Product Dimensions	130 mm × 96 mm × 28.5 mm (5.12" × 3.78" × 1.12")
Protection	IP65 IK07
Operating Temperature	-40 °C to +60°C (-40 °F to +140 °F)
Operating Humidity	10%–90% (RH), non-condensing
Operating Altitude	0 m–3000 m (0 ft – 9842.52 ft)
Power Consumption	≤ 1.5 W (standby), ≤ 10 W (working)
Gross Weight	0.326 kg (0.72 lb)
Storage Temperature	-40 °C to +70 °C (-40 °F to +158 °F)
Storage Humidity	95% (RH), non-condensing

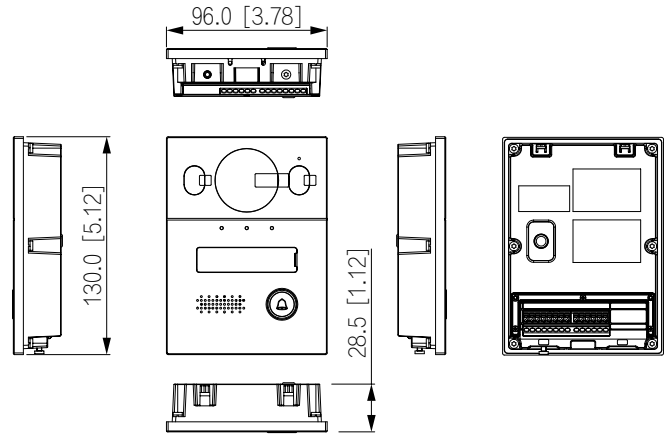
Ordering Information

Type	Model	Description
VTO	DHI-VTO2003F	2-wire Hybrid Villa Door Station
Accessories	VTM115	Surface Mounted Box[sold separately]
	VTM114	Flush Mounted Box[sold separately]
	VTM05R	Surface Mounted Box With Rain Cove[sold separately]
	VTNC1003C	2-wire Controller[sold separately]

Installation



Dimensions (mm[inch])



Application

