

5MP Fisheye Fixed Dome Network Camera

IPC815SR-DV(S)PF14



Key Features



Optics

- Ultra wide angle lens, 360° panoramic image
- Smart IR, Up to 10 m (33ft) IR distance
- 2D/3D DNR (Digital Noise Reduction)

Compression

- Ultra265, H.264, MJPEG
- Built-in omni directional microphone (IPC815SR-DVPF14)
- Triple stream (3 panoramic view)

Network

- ONVIF Conformance

Structure

- Support PoE power supply
- Wide temperature range: -40°C to 60°C (-40°F to 140°F)

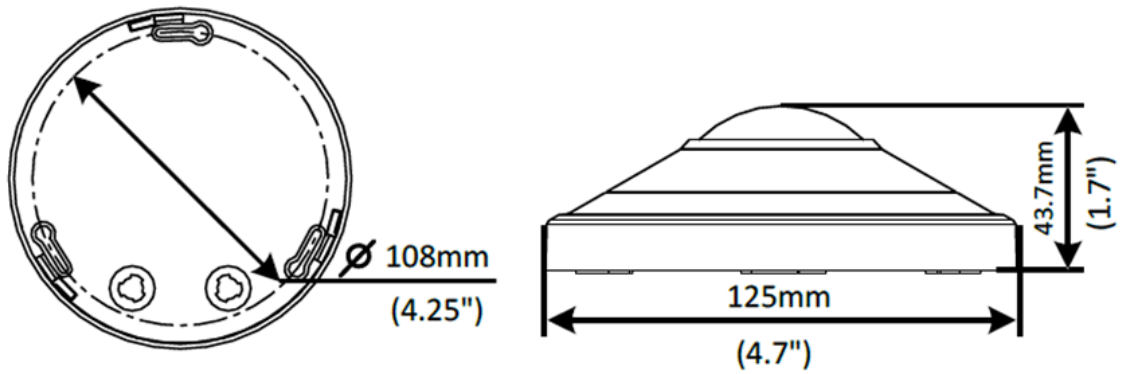
- Wide voltage range of $\pm 25\%$
- IK10
- IP66

Specifications

	IPC815SR-DVPPF14	IPC815SR-DVSPF14			
Camera					
Image sensor	1/2.8", progressive scan, 5.0 megapixel, CMOS				
Lens	1.4mm@F2.0				
DORI Distance	Lens	Detect (m)	Observe (m)	Recognize (m)	Identify (m)
	1.4mm	31.5	12.6	6.3	3.2
Angle of View	360°				
Shutter	Auto/Manual, shutter time: 1~1/100000 s				
Minimum Illumination	Colour: 0.01 Lux (F2.0, AGC ON) 0 Lux with IR				
Day/Night	IR-cut filter for day & night function				
S/N	>55dB				
IR Range	UP to 10m (33ft)				
wavelength	850nm				
IR On/Off Control	Auto/Manual				
Defog	Digital Defog				
WDR	120dB				
Video					
Compression	Ultra265, H.264, MJPEG				
H.264 code profile	Baseline profile, Main Profile, High Profile				
Frame Rate	Main Stream: (2592×1944): Max.30fps; Sub Stream: (1920×1080): Max.30fps; Third Stream: D1(720 x 576): Max.30 fps				
Video Bit Rate	128 Kbps~16 Mbps				
OSD	Up to 8 OSDs				
ROI	Up to 8 areas				
Privacy Mask	Up to 8 areas				
Motion Detection	Up to 4 areas				
General Function	Watermark, IP Address Filtering, Tampering Alarm, Alarm input, Alarm output, Access Policy, ARP Protection, RTSP Authentication, User Authentication				
Image					
White Balance	Auto/Outdoor/Fine Tune/Sodium Lamp/Locked/Auto2				
Digital noise reduction	2D/3D DNR				
Smart IR	Support				
Flip	Normal/Flip Vertical/ Flip Horizontal/180°				
Dewarping	N/A				
HLC	N/A				
BLC	Support				

Audio		
Audio Compression	G.711	N/A
Two-way audio	Supported	N/A
Suppression	Supported	N/A
Sampling Rate	8 KHZ	N/A
Storage		
Edge Storage	Micro SD, up to 256GB	
Network Storage	ANR, NAS(NFS)	
Network		
Protocols	IPv4, IGMP, ICMP, ARP, TCP, UDP, DHCP, PPPoE, RTP, RTSP, RTCP, DNS, DDNS, NTP, FTP, UPnP, HTTP, HTTPS, SMTP, 802.1x, SNMP, QoS	
Compatible Integration	ONVIF (Profile S, Profile G, Profile T), API	
Client	EZStation EZView EZLive	
Web Browser	Plug-in required live view: IE9+, Chrome 41 and below, Firefox 52 and below	
	Plug-in free live view: Chorme 57.0+, Firefox 58.0+, Edge 16+, Safari 11+	
Live View Display		
Mount Type	Support table, wall, and ceiling	
Interface		
Audio I/O	Input: impedance 35 k Ω ; amplitude 2 V [p-p]	N/A
	Output: impedance 600 Ω ; amplitude 2 V [p-p]	N/A
Alarm I/O	1/1	N/A
Built-in Mic	Supported	N/A
Video Output	1 BNC, impedance 75 Ω ; amplitude 1 V [p-p]	N/A
Network	1 RJ45 10M/100M Base-TX Auto-adaptive Ethernet	
Certifications		
Certifications	CE: EN 60950-1 UL: UL60950-1 FCC: FCC Part 15	
General		
Power	DC12V \pm 25%,PoE (IEEE 802.3af)	
	Power consumption: Max. 8.9 W	
Dimensions ($\Phi \times H$)	Φ 125 \times 43.7 mm (Φ 4.9" \times 1.7")	
Net Weight	0.39kg (0.86lb)	
Material	Shield: plastic Body: metal Bottom plate: metal decorative cover: plastic	
Working Environment	-40 $^{\circ}$ C \sim 60 $^{\circ}$ C (-40 $^{\circ}$ F \sim 140 $^{\circ}$ F), Humidity: \leq 95% RH	
Storage Environment	-40 $^{\circ}$ C \sim 60 $^{\circ}$ C (-40 $^{\circ}$ F \sim 140 $^{\circ}$ F), Humidity: \leq 95% RH	
surge protection	6KV	
Ingress Protection	IP66	
Vandal Resistant	IK10	
Reset Button	Supported	

Dimensions



Accessories

TR-JB03-H-IN



TR-A01-IN



TR-SE24-IN



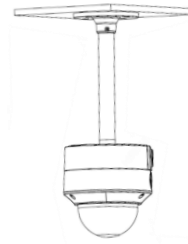
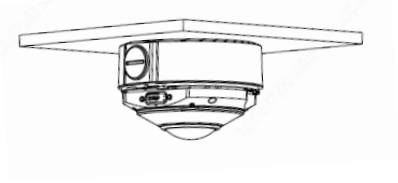
TR-SE24-A-IN



TR-CM24-IN



Junction box	Indoor pendant mount
TR-JB03-H-IN+TR-A01-IN	TR-JB03-H-IN +TR-A01-IN+ TR-SE24-IN(TR-SE24-A-IN)+ TR-CM24-IN



Zhejiang Uniview Technologies Co., Ltd.

Building No.10, Wanlun Science Park, Jiangling Road 88, Binjiang District, Hangzhou, Zhejiang, China (310051)

Email: overseasbusiness@uniview.com; globalsupport@uniview.com

<http://www.uniview.com>

©2019 Zhejiang Uniview Technologies Co., Ltd. All rights reserved.

* Product specifications and availability are subject to change without notice.