

Electric Strikes



EL110 Electric Cabinet Lock	4
ES100 Series Electric Strike	6
ES110 Series Electric Strike	8
ES150 Surface Mounted Electric Strike	12
ES200 Series Non Monitored Electric Strike	14
ES2000 Series Monitored Electric Strike	16
ES2100 Series Monitored Electric Strike	18
ES2600 Series Monitored Electric Strike	20
ES300 Series Electric Strike	22
ES3000 Series Monitored Electric Strike	24
ES9000 Pre-Load Strike	26
MT112 Monitored Detention Strike	28

ES110 Series Electric Strike

General Description

The ES110 is a cost efficient robust electric strike with a solid construction of one-piece cast aluminium body and stainless steel striker. Having a deeper than normal strike-keeper area, ES110 is designed to work with an extensive range of locks and offers the same level of security and reliability usually provided by more expensive electric locking solutions.

Extension lips are available to accommodate the installation of electric strikes on door frames with different thickness. The ES110 product range of patented electric strikes are suitable for use with all access control installations where flexibility, security and lower cost are required.

Key Features

- Fail safe/fail secure changeable on site
- Stainless steel striker for extra strength and durability
- Stainless steel locking pins
- Available in 12 or 24Vdc
- Optional mounting kit
- Installation template
- IP56 weather resistant version available
- Suitable For 18mm latch with a 3mm door gap
- **TRICARE**® 5 Year Warranty

Applications

- Exposed areas (weather resistant models)
- High traffic areas
- Open in/open out doors
- Suitable for use with all access control systems



Standards and Compliance



Successfully fire rated up to 4hrs on fire door assemblies in accordance with AS1905.1. 2005 (Part 1: Fire resistant door sets)



Approved to UL1034 (highest level)



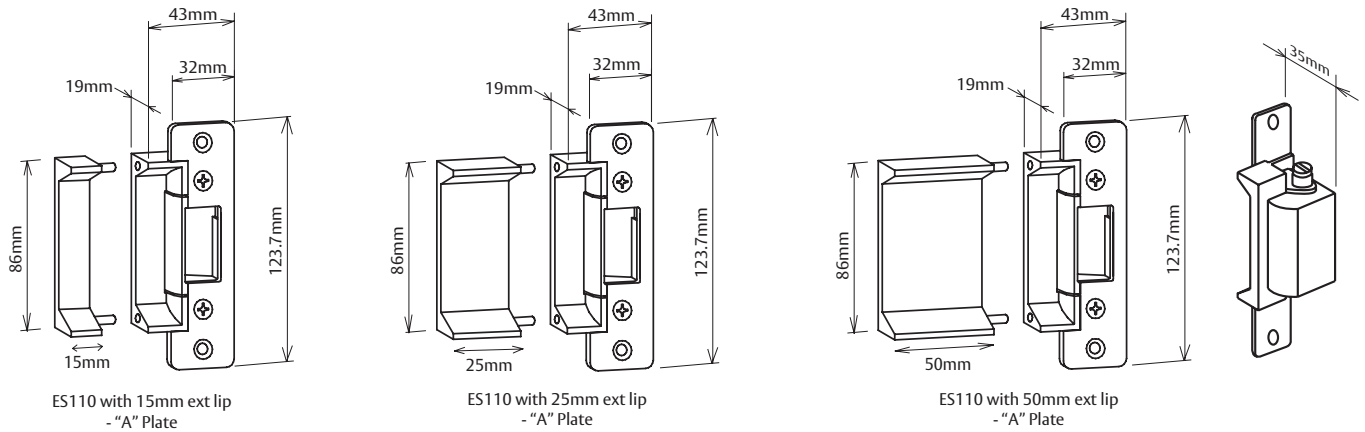
CE Approved



C-Tick Certified

Weather Resistant Version (IP56) available

ES110 Series Electric Strike



ES110 Technical Information	
Voltage	12 or 24Vdc
Current	243 mA @ 12Vdc – 187mA @ 24Vdc
Solenoid	Solenoids are rated for continuous use
Monitoring	None
Holding Force	680 kg Static Strength Rating
Endurance	Cycle tested to 1,000,000 operations
Environment	Operational temperature range -20°C to +60°C Weather resistant construction available (IP56)
Body	Cast Aluminium Construction
Keeper	Stainless Steel
Latch	Suit 15mm latch bolt with 3 mm door gap

Ordering Information

Product Description	Part Number
12V Electric Strike	
12V Fail Safe Aluminium Face Plate (A)	110111-000
12V Fail Safe Stainless Steel Face Plate (A)	110111-050
12V Fail Safe Weather Resistant Stainless Steel Face Plate (A)	110111-060
12V Fail Safe Long Aluminium Faceplate (B)	110111-070
12V Fail Safe Long Stainless Steel Face plate (B)	110111-100
12V Fail Safe Weather Resistant Long Stainless Steel Faceplate (B)	110111-110
12V Fail Safe Aluminium Euro Faceplate left hand (D)	110111-180
12V Fail Secure Aluminium Faceplate (A)	110112-000
12V Fail Secure Stainless Steel Faceplate (A)	110112-050
12V Fail Secure Weather Resistant Stainless Steel Faceplate (A)	110112-060
12V Fail Secure Stainless Steel Faceplate right hand UK Sash DIN (G)	110112-170
12V Fail Secure Stainless Steel Faceplate left hand UK Sash DIN (F)	110112-180
24V Electric Strike	
24V Fail Safe Aluminium Faceplate (A)	110113-000
24V Fail Safe Stainless Steel Faceplate (A)	110113-050
24V Fail Safe Long Stainless Steel Faceplate (B)	110113-100
24V Fail Secure Aluminium Faceplate (A)	110114-000
24V Fail Secure Stainless Steel Faceplate (A)	110114-050

Note: For additional face plate options see page 10.

Specification Statement

Where Power to Lock and Power to Open functions may be required in the same building, the strike must be interchangeable from either “Power to Lock” or “Power to Open” on site.

The electric strike should not consume current greater than 243mA @ 12Vdc or 187mA @ 24Vdc and have a solenoid suitable for continuous use. Certifications must include CE, C-tick and 4hr fire rating.

The strike should have a minimum holding force of 680kg, and an endurance rating of 1 million cycles.

Accessories

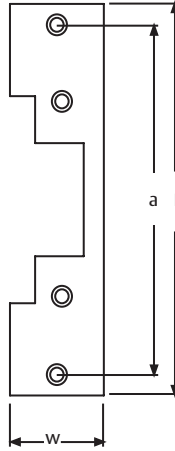
Product Description	Part Number
15mm Extension Lip (26mm total)	220110-502
25mm Extension Lip (36mm total)	220110-503
50mm Extension Lip (61mm total)	220110-504
Mounting Kit	220200-518

ES100 / ES110 Faceplate Options

Faceplates

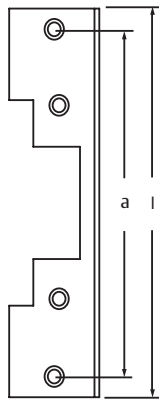
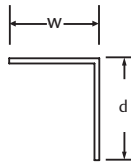
Faceplate Style	l	w	a	Part Number
A (ANSI Short) - SS	123.7	31.7	104.8	200100-544
A (ANSI Short) - AL	123.7	31.7	104.8	200100-535
B (ANSI Long) - SS	201.6	36.3	185.7	210100-530
B (ANSI Long) - AL	201.6	36.3	185.7	210100-536
C (Slim) - SS	150	28.6	136.1	200100-519
C (Slim) - AL	150	28.6	136.1	200100-520

Note: SS - Stainless Steel, AL - Aluminium



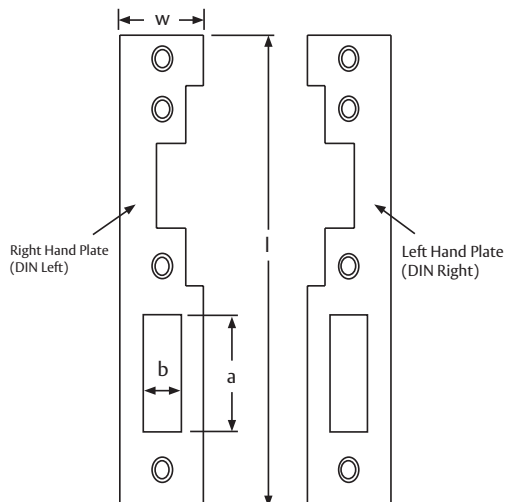
Faceplate Style	l	w	d	a	Part Number
J - AL	201.6	32	16	185.7	210100-523

Note: AL - Aluminium



Faceplate Style	l	w	a	b	Part Number
D (Euro Sash RH) [DIN Left] - SS	209	31.7	60	11.7	210100-538
E (Euro Sash LH) [DIN Right] - SS	209	31.7	60	11.7	210100-539
F (UK Sash RH) [DIN Left] - SS	251	25	74	12	210100-528
G (UK Sash LH) [DIN Right] - SS	251	25	74	12	210100-527
K (Short Sash LH) [DIN Left] - SS	182	32	36.5	14.7	210100-549
L (Short Sash RH) [DIN Right] - SS	182	32	36.5	14.7	210100-550

Note: SS - Stainless Steel
All face plates are sold separately



ES200 Series Electric Strike

General Description

The ES200 series electric strikes are high security products manufactured from stainless steel and designed for use with all access control systems. The strikes are suitable for use with hinged doors which require either fire or security control as part of a building management system.

These strikes are flexible and can be changed from fail safe to fail secure, mounted on the left or right hand side of the door and are available in 12 or 24Vdc.

They offer a strong, dependable and long-lasting electric strike solution.

Key Features

- Fail safe/fail secure changeable on site
- High security
- 4 Hour fire rating
- 850kg holding force
- 1 million cycles endurance rating
- Cast stainless steel body
- Stainless steel locking pins
- Low Current consumption – Max 175mA @12Vdc
- Mounting kit supplied as standard
- **TRICARE**® 5 Year Warranty

Applications

- High traffic areas
- Fire rated door sets
- Open in/open out doors
- Suitable for use with all access control systems



Standards and Compliance

S3 (Security) Australian Lock Standard (AS4145.2.1993)

D3 (Durability) Australian Lock Standard (AS4145.2.1993)

BSI BS 5872 Approved



Successfully fire rated up to 4hrs on fire door assemblies in accordance with AS1905.1. 2005 (Part 1: Fire resistant door sets)



Approved to UL1034 (highest level)

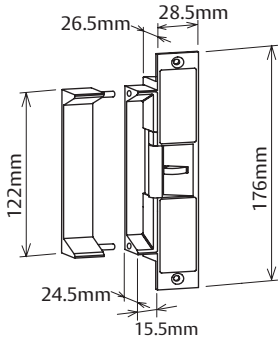


CE Approved

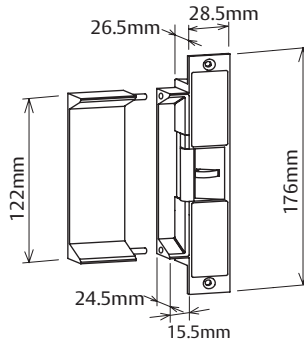


C-Tick Certified

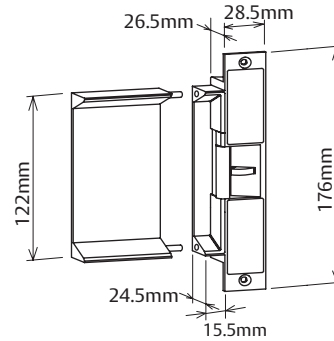
ES200 Series Electric Strike



ES200 with 25mm Extension Lip



ES200 with 50mm Extension Lip



ES200 with 75mm Extension Lip

ES200 Technical Information

Voltage	12 or 24Vdc
Current	175 mA @ 12Vdc - 88 mA @ 24Vdc
Solenoids	Solenoids are rated for continuous use
Monitoring	None
Holding Force	850kg Static Strength Rating
Endurance	Cycle tested to 1,000,000 operations
Latch	Suitable for 15mm latch bolt with 3mm door gap
Environment	Operational temperature range -20°C to +60°C
Body	Solid Stainless Steel Construction
Keeper	Stainless Steel

Ordering Information

Product Description	Part Number
12V Fail Safe Electric Strike	110201-000
12V Fail Safe Electric Strike with No Extension Lip	110201-010
12V Fail Safe Electric Strike with Extension Lip Holes	110201-020
12V Fail Secure Electric Strike	110202-000
24V Fail Safe Electric Strike	110203-000
24V Fail Secure Electric Strike	110204-000

Specification Statement

The strike should be constructed of stainless steel, have a minimum holding force of 850kg and have an endurance rating of 1 million cycles. The one strike must be changeable from fail safe to fail secure on site where required. The strike should not consume current greater than 175mA at 12Vdc and have a solenoid rated for continuous use. Certifications must include CE, C-Tick and 4 hr fire rating.

Accessories

Product Description	Part Number
13mm Rebate Plate	210100-541
25mm Extension Lip (40.5mm total)	220200-505
50mm Extension Lip (65.5mm total)	220200-506
75mm Extension Lip (90.5mm total)	220200-507
Mounting Kit	220200-519

ES2100 Series Monitored Electric Strike



General Description

The ES2100 is the latest product to join the iconic Trimec range of electric strikes. Tested in accordance with Australian standards this strike offers superior strength, and is durability tested to 1.5 million operations.

Standard features include variable voltage, patented field selectable fail safe/fail secure mode change and a unique integrated door position switch.

Integrated Door Position Switch

The ES2100 now offers a unique new monitoring feature not available in other strikes on the market today. The strike has an integrated reed switch that when combined with a specialised Lockwood mortice lock, provides door position monitoring. The strike is supplied with a standard door magnet for use with cylindrical latches. Lockwood mortice locks and face plate accessories are sold separately.

Key Features

- Patented field selectable fail safe/fail secure
- Multi voltage 10–30Vdc
- Fully monitored:
 - Integrated door position (reed) switch
 - Solenoid/Locked
 - Latch position

- 1000kg holding force
- 4hr fire rating
- Mounting tabs as supplied standard
- Australian designed and made
- **TRIGARE**® 5 Year Warranty

Applications

- High traffic areas
- Fire rated door sets
- Open in/open out doors
- Suitable for use with all access control systems
- Doors requiring additional door position monitoring

Standards and Compliance

SL8 (Security) Australian Lock Standard (AS4145.2.2008)

D8 (Durability) Australian Lock Standard (AS4145.2.2008)



Successfully fire rated up to 4hrs on fire door assemblies in accordance with AS1905.1.2005

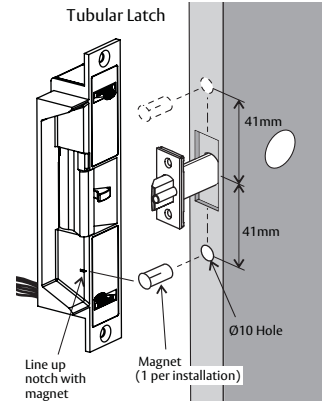
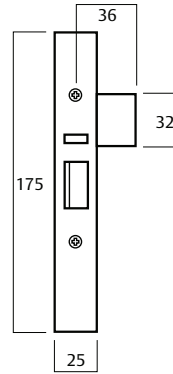
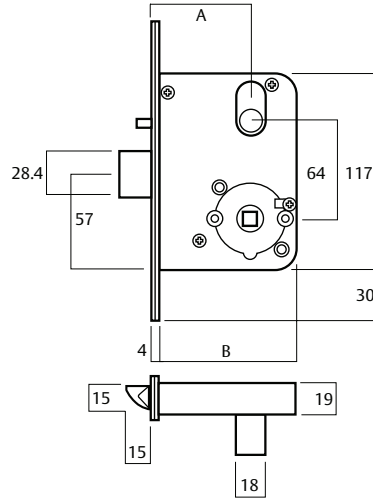
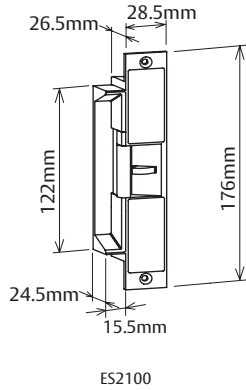


CE Approved



C-Tick Certified

ES2100 Series Monitored Electric Strike



3570 Series Mortice Lock

ES2100 Technical Information	
Voltage	Variable 10–30Vdc
Current	200mA @ 12Vdc – 120mA @ 24Vdc
Solenoids	Rated for continuous use
Monitoring	Latch Strike locked Door position (reed switch)
Holding force	1000kg static strength rating
Endurance	Cycle tested to 1.5 million operations
Latch	Suitable for 15mm latch bolt with 3mm door gap
Body	Stainless Steel
Keeper	Stainless Steel
Environment	Operational temperature range -20°C to +60°C

	STD Backset	Extended Backset
Dimension A	60	127
Dimension B	84	151

Specification Statement

The strike should be constructed of solid stainless steel, have a minimum holding force of 1000kg and an endurance rating of 1.5 million cycles. Monitoring must include independent latch and solenoid monitoring. The strike shall have an integrated reed switch for door position monitoring and used in conjunction with Lockwood 3572MAGSC mortice lock or tubular latch with door magnet. Certifications must include CE, C-tick and 4 hr fire rating.

Ordering Notes:

When using integrated door position switch monitoring:

- Electric strikes are supplied with door magnet for cylindrical locksets only.
- Lockwood Mortice Locks and face plates are sold separately.
- All strikes are factory set to fail safe (PTO) configuration. Lock mode is easily set post purchase to fail secure (PTL) configuration if required.

Ordering Information

Product Description	Part Number
ES2100 Multifunction strike 10-30Vdc	112100-000

Accessories

Product Description	Part Number
Lockwood 3572 Series Primary lock with magnet face plate	3572MAGSC
Magnet face plate – suits Lockwood 3570 series mortice lock	SP3570-2100SSS

ES9000 Series Pre-Load Strike

General Description

The ES9000 has been designed to suit the harshest commercial environments, and has the unique feature of the ability to operate with up to 25kg of pre-load pressure on the keeper. Pre-load is a common condition that caused by pulling on a door before it unlocks, the weight of warped or drooping doors, seals on fire doors or by differential air pressure created when heating and cooling systems are in use.

Standard features include multi voltage 10 - 30Vdc and field changeable settings from fail safe to fail secure.

Built to last, this is a premium locking solution that has been tested in excess of 2 million cycles and boasts unique features like no other available on the market today.

Key Features

- Operates under pre load up to 25kg
- Easy field selectable fail safe/fail secure
- Multi voltage 10-30Vdc
- 1300kg holding force
- 2.5 million cycles endurance rating
- Latch keeper is significantly quieter in operation
- Weather resistant (IP54)
- Built in protection diode
- Mounting tabs as standard
- Non handed
- **TRICARE**® 5 Year Warranty

Applications

- High traffic areas
- Doors subjected to side load (pre load)
- Fire rated door sets
- Open in/open out doors
- Suitable for use with all access control systems



Standards and Compliance

S3 (Security) Australian Lock Standard (AS4145.2.1993)

D3 (Durability) Australian Lock Standard (AS4145.2.1993)



Successfully fire rated up to 4hrs on fire door assemblies in accordance with AS1905.1. 2005 (Part 1: Fire resistant door sets)

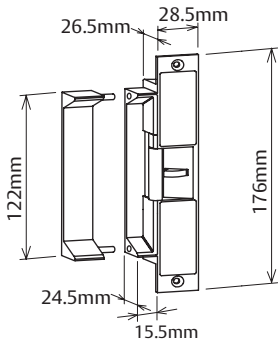


CE Approved

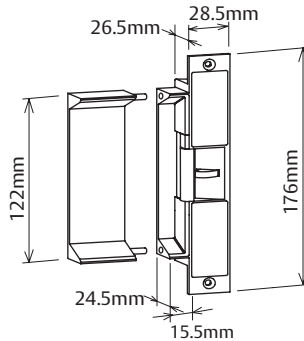


C-Tick Certified

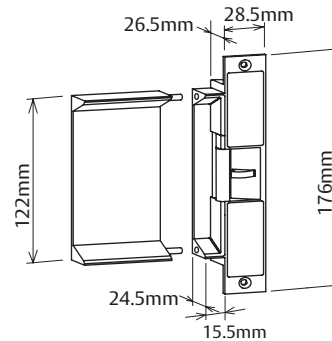
ES9000 Series Pre-Load Strike



ES9000 with 25mm Extension Lip



ES9000 with 50mm Extension Lip



ES9000 with 75mm Extension Lip

ES9000 Pre-Load Strike Technical Information

Voltage	10 – 30Vdc
Current	250mA @12Vdc – 130mA @24Vdc
Solenoids	Solenoid rated for continuous use
Electrical protection	Polarity and back EMF protected
Monitoring	Solenoid Monitor – 1 amp NO/NC microswitch Door / Latch Monitor – 1 amp NO/NC microswitch
Holding force	1300kg static strength rating
Endurance	1,200,000 cycles endurance rating @ 25kg pre-load 2,500,000 cycles general durability without pre-load conditions
Latch	Suitable for 15mm latch with 3mm door gap
Environment	Operational temperature range - 20C to +60C
Body	Solid Stainless Steel Construction
Keeper	Stainless Steel

Specification Statement

The electric strike should be fully monitored and have independent door / latch and solenoid monitor switches. Holding force for the strike should be not less than 1300kg.

Where Power to Lock and Power to Open functions may be required in the same building, a single electric strike should be interchangeable from either fail safe or fail secure from the rear of the strike.

The electric strike should not consume current greater than 250mA @ 12Vdc and have a solenoid rated for continuous use. A fire rating not less than 4 hours is required where applicable. The strike must be capable of operating with up to 25kg of pre-load pressure applied to the keeper, be tested to 2.5 million operations and carry a minimum warranty of 5 years.

Ordering Information

Product Description
ES9000 Pre - Load Multi Function Strike
ES9000 Pre - Load Multi Function Strike - No Extension Lip
ES9000 Pre - Load Multi Function Strike - 8mm Extension Lip
ES9000 Pre - Load Multi Function Strike - with Extension Lip Holes

Note: All ES9000 series electric strikes are supplied in Fail Safe configuration.

Part Number	Product Description	Part Number
119001-000	13mm Rebate Plate	210100-541
119001-010	25mm Extension Lip (40.5mm total)	220200-505
119001-020	50mm Extension Lip (65.5mm total)	220200-506
119001-060	75mm Extension Lip (90.5mm total)	220200-507
	Dummy fixed striker	100200-000
	Mounting Kit	220200-519