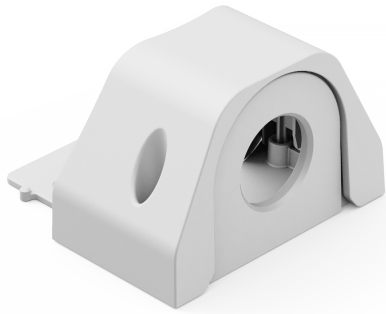


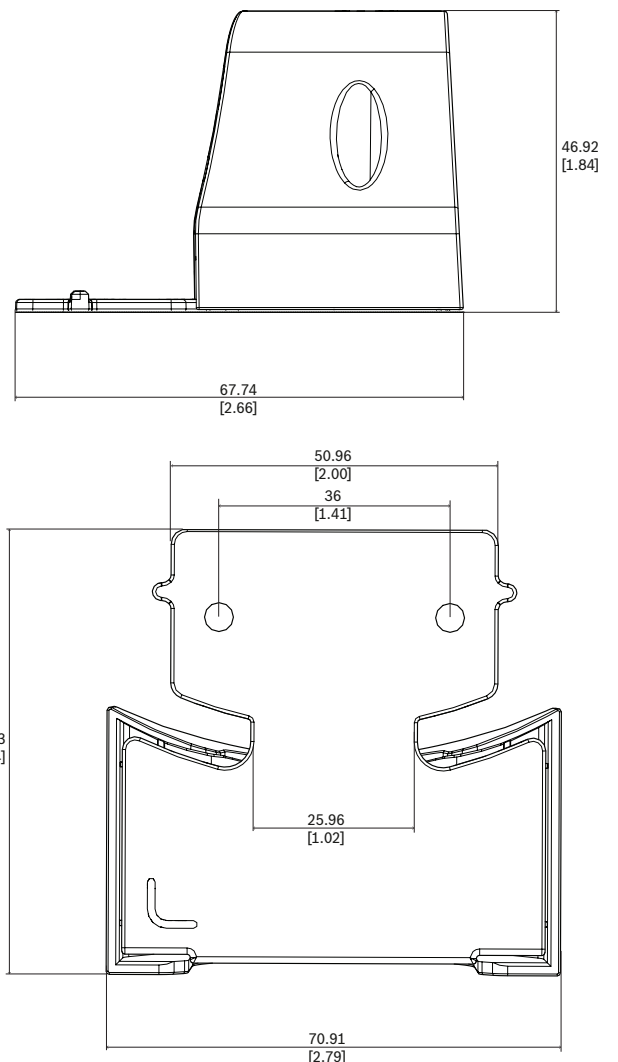
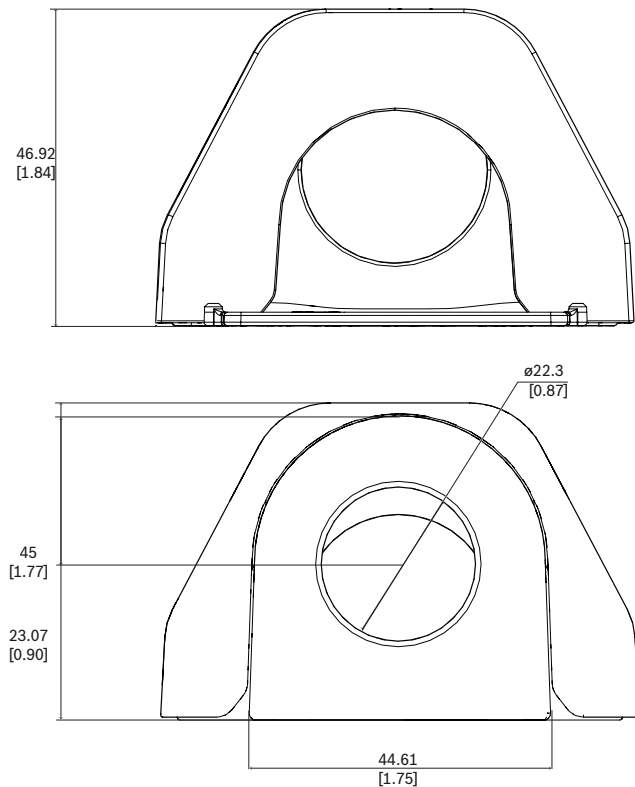
NDA-3080-CND Conduit adapter, M20



- ▶ Enables M20 conduit installation
- ▶ Easy to use and install.
- ▶ Compatible with 3000i outdoor camera

The conduit adapter M20 enables conduit installation of a camera.
 The conduit adapter is placed directly into the designated area of the mounting plate that is supplied with the camera.

Installation/configuration notes



Dimensions in mm (inch)

Parts included

| Quantity | Component |
|----------|--------------------------|
| 1 | Piping adapter |
| 2 | Piping cover |
| 3 | M3x8 mm screw |
| 1 | Quick installation guide |

Technical specifications**Mechanical**

| | |
|----------------------------|-------------------------------------|
| Dimension (H x W x D) (mm) | 46.5 mm x 70.77 mm x 67.74 mm |
| Dimension (H x W x D) (in) | 1.83 in x 2.79 in x 2.67 in |
| Conduit | ¾-inch NPT (M20) conduit side entry |
| Conduit diameter (mm) | 22.3 mm |
| Conduit diameter (in) | 0.88 in. |
| Weight (g) | 56 g |
| Weight (lb) | 0.1240 lb |
| Material | Plastic |
| Color in RAL | RAL 9003 Signal white |

Ordering information**NDA-3080-CND Conduit adapter, M20**

M20 conduit adapter for cameras

Order number **NDA-3080-CND | F.01U.396.506****F.01U.379.489****Represented by:**

Europe, Middle East, Africa:
Bosch Security Systems B.V.
P.O. Box 80002
5600 JB Eindhoven, The Netherlands
Phone: +31 40 2577 284
www.boschsecurity.com/xc/en/contact/
www.boschsecurity.com

Germany:
Bosch Sicherheitssysteme GmbH
Robert-Bosch-Ring 5
85630 Grasbrunn
Tel.: +49 (0)89 6290 0
Fax: +49 (0)89 6290 1020
de.securitysystems@bosch.com
www.boschsecurity.com

North America:
Bosch Security Systems, LLC
130 Perinton Parkway
Fairport, New York, 14450, USA
Phone: +1 800 289 0096
Fax: +1 585 223 9180
onlinehelp@us.bosch.com
www.boschsecurity.com

Asia-Pacific:
Robert Bosch (SEA) Pte Ltd, Security Systems
11 Bishan Street 21
Singapore 573943
Phone: +65 6571 2808
Fax: +65 6571 2699
www.boschsecurity.com/xc/en/contact/
www.boschsecurity.com