

# ES15 SERIES

Electric Strike Surface Mounted (RIM Mounted) Weather Resistant

## ES15 DESCRIPTION

The **LOX ES15** Series surface mount Electric Door Strikes can be used for pedestrian gates and light commercial applications. They are dual voltage products accepting voltages of either 12 or 24VDC.

The **ES15** Electric Strikes are site interchangeable from Fail-Secure to Fail Safe (Power to Release to Power to Lock) by only using a small screwdriver.

The **ES15** Series Strikes come with a 5-year warranty and have a holding strength of up to **1200kg**.

The non-monitored **ES15** version is weather resistant **IP56** rated.



### ES15

NON MONITORED WEATHER RESISTANT RIM-MOUNT STRIKE

### SPECIFICATIONS

ES15	WEATHER RESISTANT ELECTRIC STRIKE SURFACE MOUNTED
HOLDING STRENGTH	UP TO 1200KG TESTED 1 MILLION CYCLES
VOLTAGE/CURRENT	DUAL VOLTAGE 12/24VDC 12VDC = 200mA 24VDC = 100mA
IP RATING	IP56 WEATHER RESISTANT
ENVIRONMENTAL	OPERATIONAL TEMPERATURE RANGE - 20 DEG. C TO 60 DEG. C.

**LOX**  
LOCKING

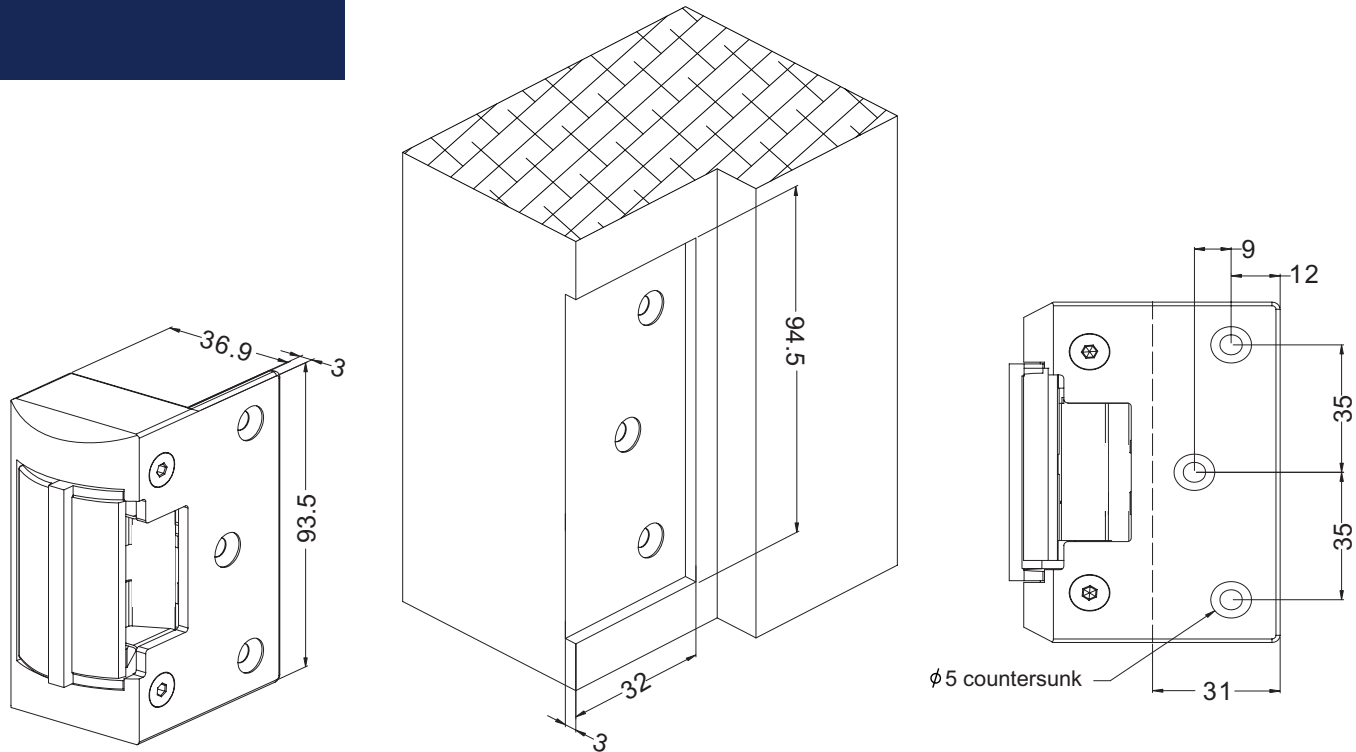
LOX LOCKING PTY LTD | [www.loxlocking.com.au](http://www.loxlocking.com.au)

**LOX**<sup>®</sup>

# ES15 SERIES

Electric Strike Surface Mounted (RIM Mounted) Weather Resistant

## PRODUCT DIMENSIONS



Dimensions (mm)

## ES15 FACTS

- Weather Resistant (IP56)
- 5 year warranty
- Simple Power To Lock/Power To Release interchange
- Dual-Voltage: 12 or 24VDC

**LOX**  
LOCKING

LOX LOCKING PTY LTD | [www.loxlocking.com.au](http://www.loxlocking.com.au)

**LOX**<sup>®</sup>