

DHI-KTP01L-AUS

IP Villa Outdoor Station & Indoor Monitor



Technical Specification

DHI-VTO2201F-P

System

Main Processor	Embedded processor
Operating System	Embedded Linux Operation System
Button Type	Mechanical
Interoperability	ONVIF; CGI
Network Protocol	RTSP;RTMP;HTTP/HTTPS;DNS; UPnP;RTP;SIP;SSH; ONVIF ;P2P

Basic

Camera	1/2.9" 2MP CMOS Low Illumination HD Colorful Camera
Field of View	Horizontal: 140°; vertical: 79.6; diagonal:159°
Focal Length	2.0 mm
WDR	120 dB
Noise Reduction	3D DNR
Video Compression	H.265
Video Resolution	50Hz: Main Stream (720P@25 fps), sub stream (1080P@25 fps) 60Hz: Main Stream (720P@30 fps), sub stream (1080P@30 fps)
Video Frame Rate	25 fps
Video Bit Rate	256 Kbps to 8 Mbps
Light Compensation	Auto IR

IP Villa Door Station

- Anodized aluminum front panel
- CMOS low illumination 2MP HD colorful 140° camera
- Video intercom function
- Access control function that supports two locks
- Use the app to talk to visitors or unlock the door remotely on your phone.
- Surface mounted and flush mounted.
- PoE
- IK07&IP65

IP Indoor Monitor

- 7" TFT capacitive touch screen, 1024 × 600
- 6-channel alarm input and 1-channel alarm output
- Standard PoE
- Outdoor station and IPC monitor
- H.265 and H.264 video decoding
- High performance & cost-effective

Switch

- Port1-4: 4 × RJ-45 10/100 M (PoE)
- Port 5: 1 × RJ-45 10/100 M (uplink)
- Supports guide rail mount.



Day/Night	Auto (ICR)
Audio Compression	G.711a; G.711u; PCM
Audio Input	1 channel
Audio Output	Built-in speaker
Audio Mode	2-way voice communication
Audio Enhancement	Echo suppression/digital noise reduction
Audio Bit Rate	16 KHz, 16 Bit
Status Indicator Light	3

Port

RS485	1
Alarm Output	1
Power Output	1-ch 12 VDC 100mA
Exit Button	1
Door Status Detection	1

DHI-KTP01L-AUS

Lock Control	1
Network Port	One RJ45 10M/100M network port

General

Appearance color	Silver
Power Supply	DC 24V 1A Standard PoE
Power Adapter	Optional
Installation	Flush/surface mount
Certifications	CE; FCC; UL
Product Dimensions	130 mm × 96 mm × 28.5 mm (5.12" × 3.78" × 1.12")
Protection	IK07; IP65
Operating Temperature	-30°C to +60°C (-22°F to 140°F)
Operating Humidity	10%–90% (RH, non-condensing)
Operating Altitude	0 m–3000 m
Power Consumption	≤ 8W
Net Weight	0.35 kg (0.77 lb)
Gross Weight	0.4 kg (0.88 lb)

DHI-VTH2621GW-P

System

Main Processor	Embedded processor
Operating System	Embedded Linux Operation System
Network Protocol	RTSP; RTP; SIP; DNS; SSH
ROM	128 MB
RAM	128 MB
CPU	Dual core 1.2 GHz

Basic

Screen Type	Capacitive touchscreen
Display Screen	7-inch TFT
Resolution	1024 × 600
Audio Compression	G.711a; G.711u; PCM
Audio Input	1
Audio Output	Built-in speaker
Audio Mode	2-way voice communication
Audio Enhancement	Echo suppression
Audio Bit Rate	16 KHz, 16 Bit

Function

Communication Mode	Full digital
Information Release	Receive and view text information released by the management center

DND Mode	Do not disturb period can be set; Do not disturb mode
Number of Extensions	Villa: 9 Apartment: 4

Performance

Casing	PC + ABS
--------	----------

Port

Alarm Input	6
Alarm Output	1
Power Output	1 (12 V/200 mA)
Door Bell	Yes (use any alarm input port)
Network	One 10/100 Mbps Ethernet

Alarm

SOS	Yes
-----	-----

General

Appearance color	White
Power Supply	12 VDC 1A; Standard PoE (36–57 V, 0.35 A)
Power Adapter	Optional
Installation	Surface mount
Certifications	CE; FCC
Accessory	Bracket and alarm ribbon cable (included)
Product Dimensions	189.0 mm × 130.0 mm × 26.9 mm (7.44" × 5.12" × 1.06")
Operating Temperature	-10°C to +55°C (14°F to 131°F)
Operating Humidity	10%–95% (RH, non-condensing)
Operating Altitude	Beneath 3,000 m (9,842.52 ft)
Power Consumption	Standby ≤ 2W, working ≤ 6W
Net Weight	0.34 kg (0.74 lb)
Gross Weight	0.58 kg (1.27 lb)

DH-PFS3005-4ET-36E

General

Network Port	Port1-4: 4 × RJ-45 10/100 M (PoE) Port 5: 1 × RJ-45 10/100 M (uplink)
Appearance color	Black
Power Supply	100–240 VAC
Power Adapter	Standard
Certifications	CE; FCC; UL
Product Dimensions	170 mm × 100 mm × 35 mm (6.69" × 3.94" × 1.38")
Operating Temperature	-10 °C to +55 °C (+14 °F to +131 °F)
Operating Humidity	10%–95% (RH), non-condensing
Operating Altitude	0–3000 m (0–9842.52 ft)

DHI-KTP01L-AUS

Net Weight	0.45 kg (0.99 lb)
------------	-------------------

Dimensions (mm[inch])

Relevant Products

DHI-KTP01L(S)-AUS



DHI-VTH2621GW-P



DH-PFS3005-4ET-36E



DHI-VTO2201F-P



VTM115 (Surface mounted)

DHI-KTP01L(F)-AUS



DHI-VTH2621GW-P



DH-PFS3005-4ET-36E



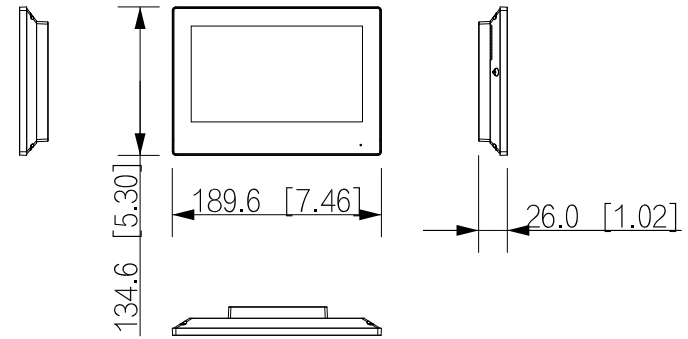
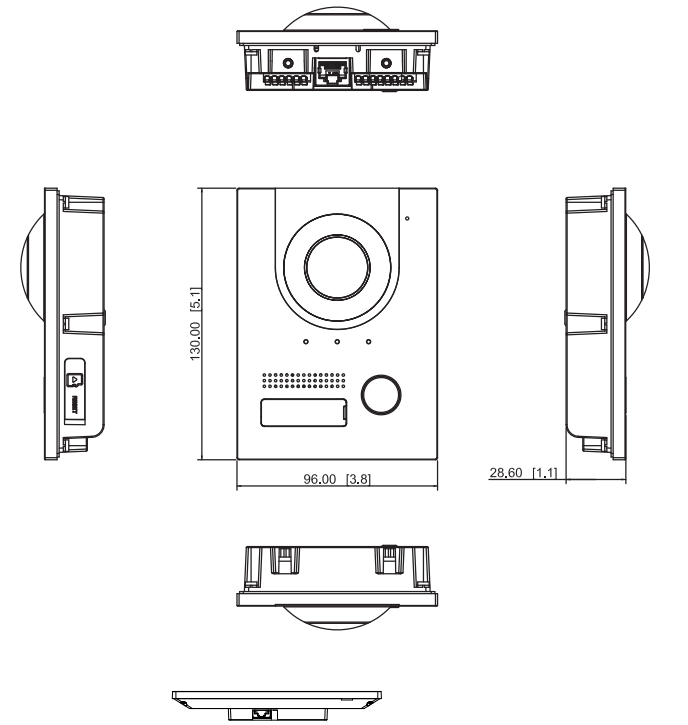
DHI-VTO2201F-P



VTM114
(Flush mounted, Front)



VTM114
(Flush mounted, Back)



Application

